

KitchenAid® 30" (76.2 cm) and 36" (91.4 cm) Retractable (Pop-Up) Downdraft Vent System

PRODUCT MODEL NUMBERS

KXD4630Y KXD4636Y KXD4736Y

Electrical

A 120 Volt, 60 Hz., AC only 15-amp fused, electrical circuit is required.

LOCATION REQUIREMENTS

NOTE: Downdraft vent is installed directly behind the cooktop. Install the downdraft vent first, then install the cooktop.

IMPORTANT: Observe all governing codes and ordinances.

Have a qualified technician install the downdraft vent. It is the installer's responsibility to comply with installation clearances specified on the model/serial rating plate. The model/serial rating plate is located on the front of the downdraft vent above the terminal box cover.

Downdraft vent location should be away from strong draft areas, such as windows, doors, and strong heating vents or fans.

Cabinet opening dimensions that are shown must be used. Given dimensions provide minimum clearance.

Consult the cooktop manufacturer installation instructions before making any cutouts.

Check that the downdraft vent and cooktop location will clear the cabinet walls, backsplash, and rear wall studs inside the cabinet.

Check for the minimum distance between the front edge of the countertop and the front edge of the cooktop. The minimum horizontal distance between the overhead cabinets is the same as the width of the installed downdraft vent.

All openings in ceiling and wall where the downdraft vent will be installed must be sealed.

Grounded electrical outlet is required. See "Electrical Requirements" section.

When installing the downdraft vent, the cabinet drawer will need to be removed and the drawer front installed permanently to the cabinet.

Cabinet Construction:

Downdraft vent is designed for use in a cabinet with a depth of 24" (61 cm). Some installations require a countertop deeper than 25" (63.5 cm). See the Countertop Cutout Dimensions section.

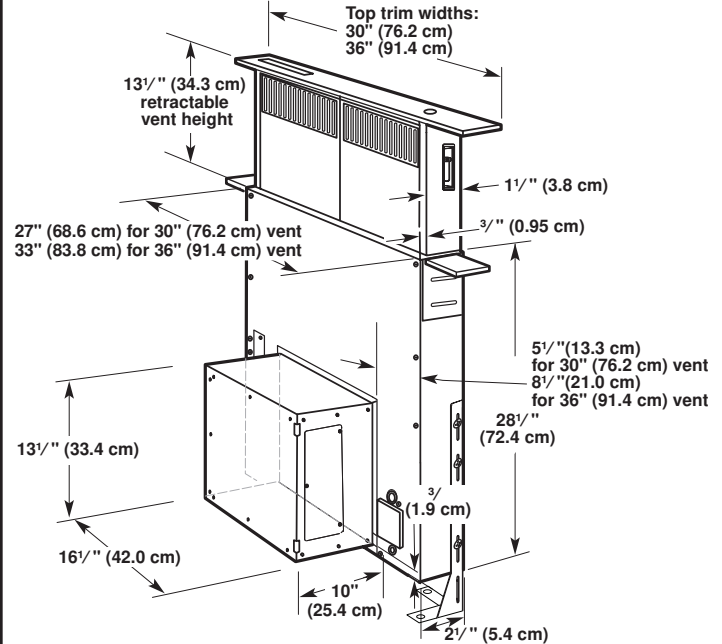
The maximum depth of the overhead cabinet is 13" (33 cm). Overhead cabinets installed at either side of the downdraft vent must be 18" (45.7 cm) above the cooking surface.

For Mobile Home Installations

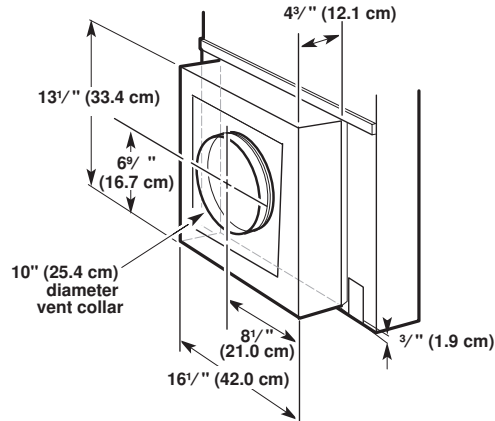
The installation of this range hood must conform to the Manufactured Home Construction Safety Standards, Title 24 CFR, Part 328 (formerly the Federal Standard for Mobile Home Construction and Safety, title 24, HUD, Part 280) or when such standard is not applicable, the standard for Manufactured Home Installation 1982 (Manufactured Home Sites, Communities and Setups) ANSI A225.1/NFPA 501A*, or latest edition, or with local codes.

PRODUCT DIMENSIONS

Models with interior-mounted blower motor

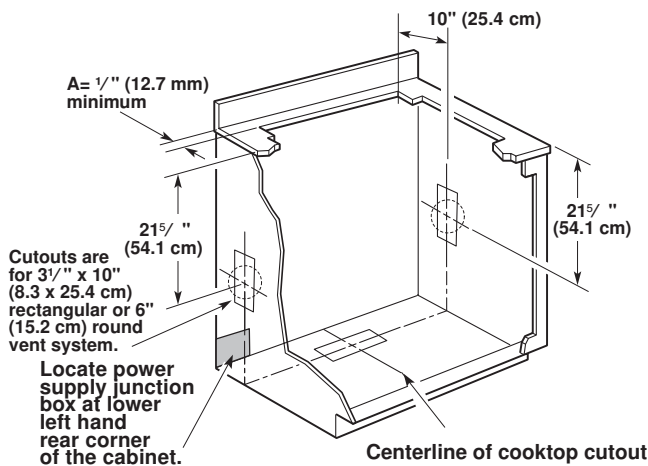


Models with exterior-mounted blower motor



CABINET DIMENSIONS

INTERIOR-MOUNTED BLOWER MOTOR MODEL



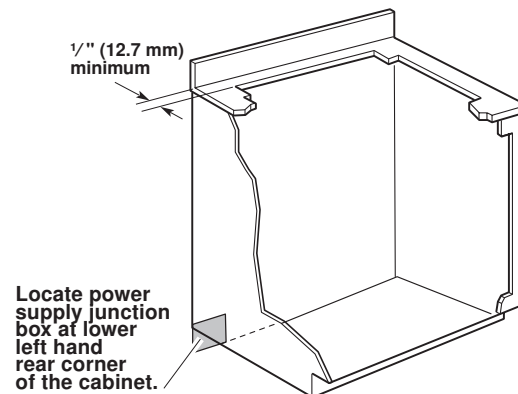
NOTES:

See cooktop manufacturer's instructions for cooktop cutout depth and width.

Use dimensions for vent system cutout location that applies to your installation.

Interior mounted blower systems connect with 3 1/8" x 10" (8.3 x 25.4 cm) rectangular or 6" (15.2 cm) round vent system. The cutout locations for this vent system will depend on your specific installation.

EXTERIOR-MOUNTED BLOWER MOTOR MODEL



NOTES:

See cooktop manufacturer's instructions for cooktop cutout depth and width.

Exterior-mounted blower systems connect with 10" (25.4 cm) round vent. The cutout locations for this vent system will depend upon your specific installation.

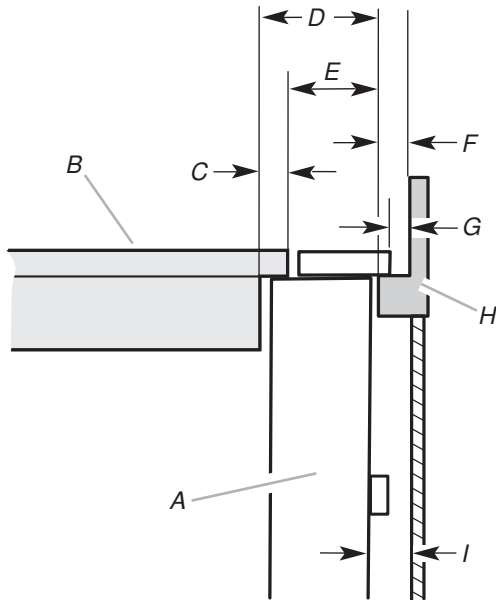
COUNTERTOP CUTOUT DIMENSIONS

IMPORTANT: Countertops with a bull-nosed front edge are not recommended for these installations.

Some models require a countertop deeper than 25" (63.5 cm); see the following Countertop Cutout Dimensions section.

To avoid mistakes, it is recommended that the cooktop and vent cutouts be drawn on the countertop before making any cutouts.

See Cooktop Installation Instructions for complete cutout dimensions, location dimensions and installation details.



A. Downdraft vent

B. Cooktop

C. Measurement of cooktop rear overhang.

D. D = Measurement of cooktop rear overhang (C) + 1¹³/₈" [46.2 mm] (E)

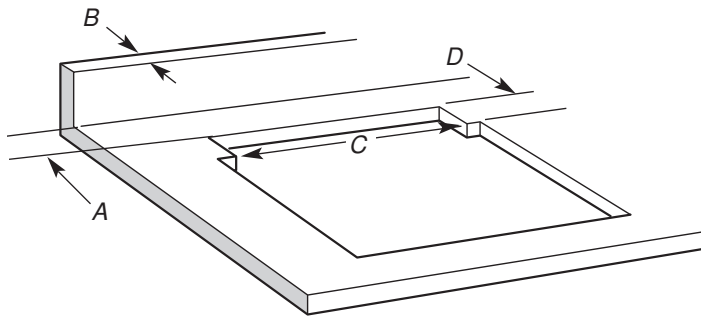
E. 1¹³/₈" (46.2 mm)

F. 1/2" (12.7 mm) minimum

G. 1/4" (6.4 mm) minimum

H. Countertop and backsplash

I. 1/2" (12.7 mm) minimum



A. 1/2" (12.7 mm) minimum to backsplash or rear wall

B. 3/4" (19.1 mm) maximum backsplash depth

C. 27 1/8" (69.9 cm) on 30" (76.2 cm) models

33 1/8" (85.9 cm) on 36" (91.4 cm) models

D. D = Measurement of cooktop rear overhang + 1¹³/₈" (46.2 mm)

VENTING REQUIREMENTS

IMPORTANT: Make sure there is proper clearance within the wall or floor before making exhaust vent cutouts.

Use heavy (rigid) metal vent.

Venting system must terminate to the outside.

Do not terminate the vent system in an attic or other enclosed area.

Do not use 4" (10.2 cm) laundry-type wall caps.

Do not install 2 elbows together.

Do not use plastic or metal foil vent.

The length of vent system and number of elbows should be kept to a minimum to provide efficient performance.

Use no more than three 90° elbows.

Make sure there is a minimum of 24" (61 cm) of straight vent between the elbows if more than one elbow is used.

Use clamps or duct tape to seal all joints in the vent system.

Use caulking tape to seal the exterior wall or floor opening around cap.

Do not cut joist or stud. If vent cutout falls over a joist or stud, a supporting frame must be constructed.

Flexible metal vent is not recommended. If it is used, calculate each foot of flexible vent as 2 ft (0.6 m) of rigid metal vent.

Flexible elbows count twice as much as standard elbows.

Recommended Vent System Length

For either interior-mounted or exterior-mounted blower installations, the vent system length should not exceed the maximum lengths listed in the Maximum Length of Vent System chart. See "Calculating Vent System Length" in the "Venting Methods" section in the Installation Instructions for the interior- or exterior-mounted vent motor.

Cold Weather Installations

An additional back draft damper should be installed to minimize backward cold air flow and a thermal break should be installed to minimize conduction of outside temperatures as part of the vent system. The damper should be on the cold air side of the thermal break.

The break should be as close as possible to where the vent system enters the heated portion of the house.

Makeup Air

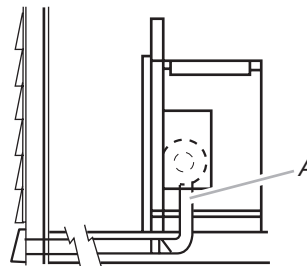
Local building codes may require the use of makeup air systems when using ventilation systems greater than specified CFM of air movement. The specified CFM varies from locale to locale. Consult your HVAC professional for specific requirements in your area.

VENTING METHODS - INTERIOR MOUNTED VENT MOTOR ONLY

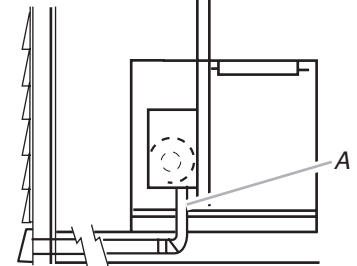
Determine which venting method is best for your application. Vent system can terminate through either the wall or floor.

ISLAND LOCATION

FRONT (STANDARD) MOUNTED BLOWER MOTOR

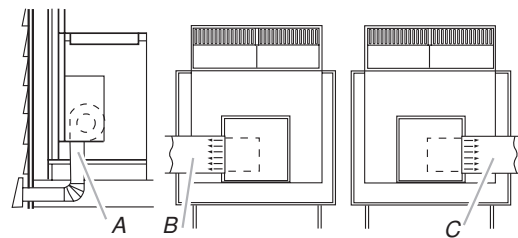


REAR MOUNTED BLOWER MOTOR



A. Down vent

NOTE: For island locations, the blower motor can be mounted for right, left, or rear venting if needed for your application. Most island applications would still require the venting to be directed down through the floor.



A. Down vent

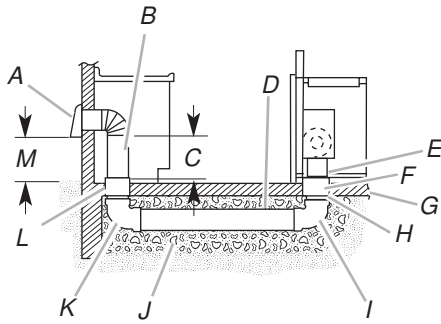
B. Left vent

C. Right vent

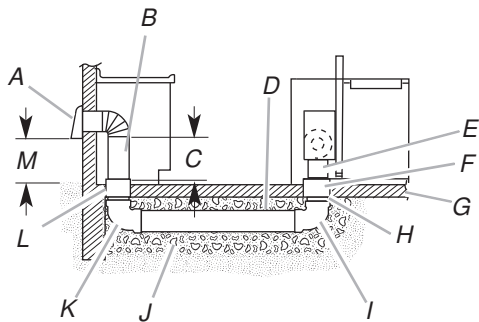
Island Location

Vent system installed under a concrete slab using PVC sewer pipe.

FRONT (STANDARD) MOUNTED BLOWER MOTOR



REAR MOUNTED BLOWER MOTOR



- A. Wall cap
- B. 6" (15.2 cm) round metal vent
- C. 16" (40.6 cm) maximum
- D. 6" (15.2 cm) round PVC sewer pipe
- E. 6" (15.2 cm) round metal vent transition with damper (supplied)
- F. 6" (15.2 cm) round PVC coupling
- G. Concrete slab
- H. 6" (15.2 cm) round PVC sewer pipe
- I. 6" (15.2 cm) round 90° PVC sewer pipe elbow
- J. Tightly pack gravel or sand completely around pipe.
- K. 6" (15.2 cm) round 90° PVC sewer pipe elbow
- L. 6" (15.2 cm) round PVC coupling
- M. 12" (30.5 cm) minimum

Calculating Vent System Length

3 1/2" x 10" (8.3 x 25.4 cm) rectangular vent is required from the blower motor box. It can be transitioned to 6" (15.2 cm) round vent if needed.

Maximum Length of Vent System

Vent	Length
6" (15.2 cm) round	35 ft (8.9 m)
3 1/2" x 10" (8.3 cm x 25.4 cm)	35 ft (8.9 m)

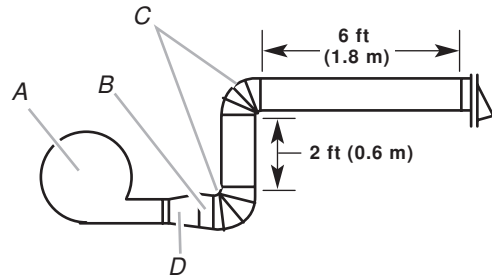
To calculate the length of the system you need, add the equivalent feet (meters) for each vent piece used in the system.

Vent	3 1/2" x 10" (8.3 cm x 25.4 cm) Rectangular	
3 1/2" x 10" (8.3 cm x 25.4 cm) 90° elbow	5.0 ft (1.5 m)	
3 1/2" x 10" (8.3 cm x 25.4 cm) flat elbow	12.0 ft (3.7 m)	
3 1/2" x 10" (8.3 cm x 25.4 cm) wall cap	0.0 ft (0.0 m)	

To calculate the length of the system you need, add the equivalent feet (meters) for each vent piece used in the system.

Vent Piece	6" (15.2 cm) Round	
45° elbow	2.5 ft (0.8 m)	
90° elbow	5.0 ft (1.5 m)	
6" (15.2 cm) wall cap	0.0 ft (0.0 m)	
3 1/2" x 10" (8.3 cm x 25.4 cm) to 6" (15.2 cm) transition	4.5 ft (1.4 m)	
6" (15.2 cm) to 3 1/2" x 10" (8.3 cm x 25.4 cm) transition	1 ft (0.3 m)	
3 1/2" x 10" (8.3 cm x 25.4 cm) to 6" (15.2 cm) 90° elbow transition	5.0 ft (1.5 m)	
6" (15.2 cm) to 3 1/2" x 10" (8.3 cm x 25.4 cm) 90° elbow transition	5.0 ft (1.5 m)	

Example vent system



- A. Blower motor
- B. Transition
- C. 90° elbows
- D. 6" back draft damper (supplied)

The following example falls within the maximum vent length of 35 ft (8.9 m).

2 - 90° elbow	= 10.0 ft (3 m)
1 - wall cap	= 0.0 ft (0.0 m)
8 ft (2.4 m) straight	= 8.0 ft (2.4 m)
Transition	= 4.5 ft (1.4 m)
Length of 6" (15.2 cm) system	= 22.5 ft (6.8 m)