

FAB5URWH3



Product Family	Refrigerator
Installation	Free standing
Category	One Door
Defrost	Automatic
Hinge position	Right
EAN code	8017709289829



Aesthetics

Aesthetic	50's Style	Material	Heat-moulded
Colour	White	Side material	Steel
Finishing	Glossy	Side colour	White
Design	Rounded	Logo	Applied

Refrigerator compartment features



No. of adjustable shelves	2	Internal light in fridge	Yes
Type of adjustable shelves	Wire	Type of internal light (fridge)	LED

Refrigerator Inner Door

Number of adjustable door shelves	1	No. of bottle shelves	1
Adjustable door shelves with wire support	Yes	Bottle shelves with wire support	Yes

Other technical features

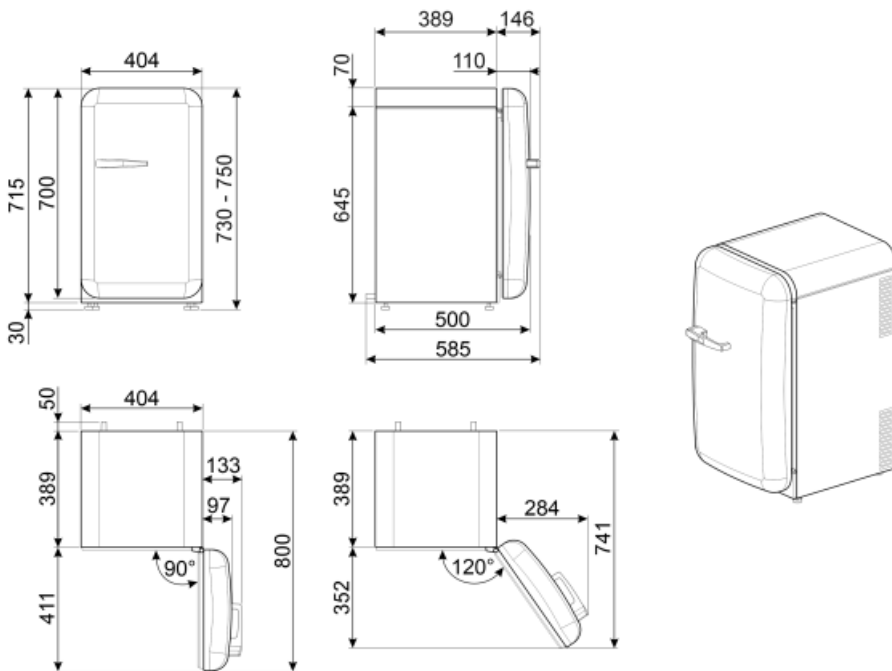
Type of temperature control	Electro-mechanical
No. of compressors	1
Refrigerant gas type	R600a
Foam agent	Cyclopentane

Performance / Energy Label - Reg. 2019

Airborne acoustical noise emissions	40 dB(A) re 1pW	Climate class	SN, N, ST, T
-------------------------------------	-----------------	---------------	--------------

Electrical Connection

Plug	(A) USA e Messico	Frequency (Hz)	60 Hz
Current	0.89 A	Power supply cable length	70 7/8 "
Voltage (V)	110 V		



Not included accessories

KITCABLE90UK

Cable with IEC connector and UK plug

Symbols glossary (TT)



The automatic defrost system works by automatically defrosting at regular intervals eliminating the need to defrost altogether.



LED interior lighting: is a more energy efficient and long lasting way of illuminating the interior of the appliance.