

SPPS60TM-1

24" Built-In Compact Compact Speed Oven, 45cm High



Available Finishes/Colors

SPPS60TM-1

Black Glass Finish with Stainless-Steel Trim

KEY FEATURES

Black Glass Finish with Stainless-Steel Trim and Handle

Its sleek black glass and stainless-steel handle coordinates with P&C contemporary products, with elegant design and clean lines offering a stylish modern look for your kitchen.

Microwave Function

Can be used for standard microwave cooking with options that allow 200W to 1,000W heating.

Precise Control

Precise temperature adjustment is made through smooth and balanced dial movement. Brilliant halogen lighting, plus a viewing window improve performance and efficiency.

Speed Oven

Combine the functionality of a microwave and compact convection oven into one appliance.

Halogen Interior Lighting

For a brighter interior, eliminating the need to open the door to check the progress so that you can maintain a consistent temperature.

1.34 Cu. Ft. Capacity

With its family-sized capacity and equipped turntable, this oven has the room for any meal.

Accessories Included

Circular glass turntable, Support ring & Turntable play, Wire rack.

*Optional 2-Piece Trim Kit (Model: TK455).



Microwave



Microwave
+ Grill



Convection



Rotary
Knobs



Soft Close
Door

GENERAL PROPERTIES

Compact speed oven, 45cm High

Black Glass with Stainless Steel Trim

38L - 1.3 cu. ft. Capacity

Stainless-steel inner cavity

Bright interior lighting

FEATURES

Microwave, Convection, Grill modes

Touch control display with rotary knobs

Fully automatic digital clock/timer

Cooking duration and end time cooking control

Double glazed removable door

Memory function - program 3 favourite recipes

Drop down grill for easy clean

Child safety lock

OVEN FUNCTIONS

Microwave, Broiler, Microwave + Broiler, Convection, Broiler + Fan, Auto Defrost, Microwave + Hot Air, Grill + Fan, Quick Start.

OVEN PERFORMANCE

Microwave Power: 200 Watts - 1,000 Watts

Microwave + Broiler Power: 200 Watts - 600 Watts

Microwave + Hot Air: 200 Watts - 600 Watts

TECHNICAL DETAILS

Product Dimensions (W/H/D)

23^{7/16"} / 17^{15/16"} / 20^{7/16"}

595mm / 455mm / 519mm

Cabinet Dimensions (W/H/D)

22^{3/8"} / min. 17^{5/8"} / 21^{5/8"}

568mm / min. 447mm / 549mm

ELECTRICAL REQUIREMENTS

208/240 V / 60 Hz / 20 Amp

*Supplied with a 5ft long electrical cable and must be hardwired.

Installation Details

PRODUCT DIMENSIONS (INCH/MM)

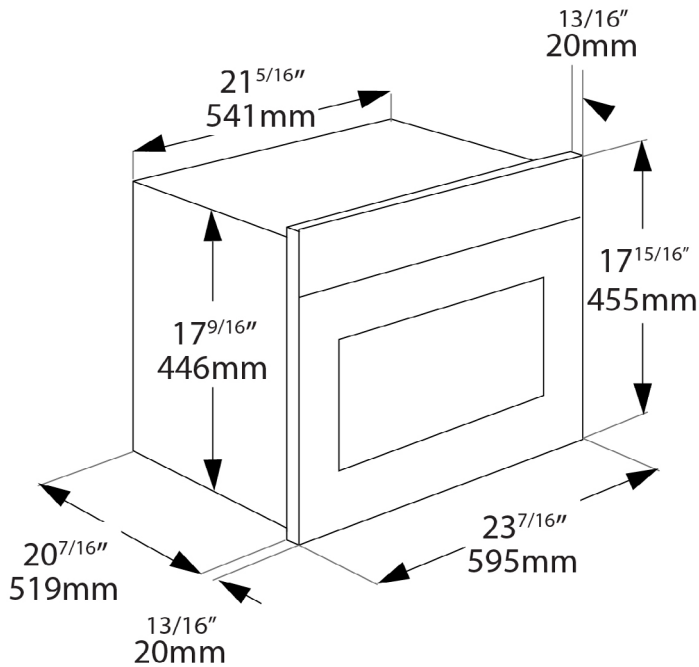
Width: 23^{7/16}" / Height: 17^{15/16}" / Depth: 20^{7/16}"

Width: 595mm / Height: 455mm / Depth: 519mm

CUT-OUT DIMENSIONS (INCH/MM)

Width: 22^{3/8}" / Height: min. 17^{5/8}" / Depth: 21^{5/8}"

Width: 568mm / Height: min. 447mm / Depth: 549mm

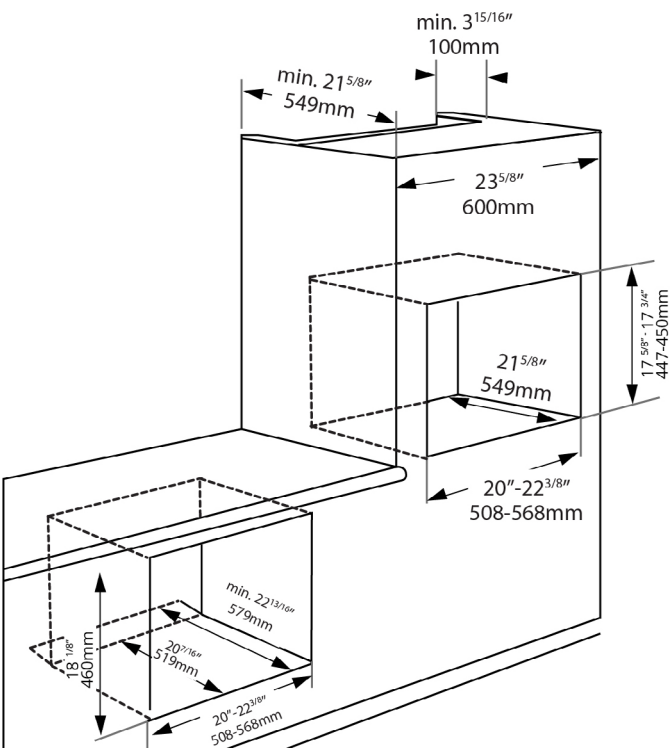
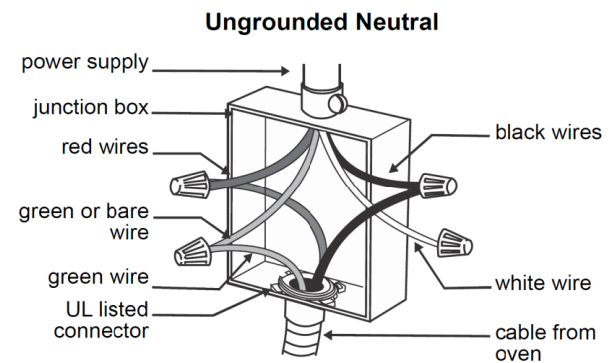


Electrical Requirements

- 240 V / 60 Hz / 20 Amp / 3,200 W

4-Wire Brand Circuit

- Disconnect ground from neutral at free end of conduit.
- Connect the green ground wire from the oven to the ground wire in the junction box (bare or green coloured wire).
- Connect the red and black leads from the oven to the corresponding leads in the junction box.



FALSE BACKS

- Install false backs for storage spaces. This will prevent contents from falling through the vent space. In addition, warm air will not interfere with store contents.



WARRANTY INFORMATION

Porter & Charles Appliances are designed and manufactured to the highest standards. Each appliance is covered by a comprehensive 2-year parts and labour warranty. Refer to product warranty policy for complete terms and conditions.

FOR PARTS & SERVICE

Euro-Parts & Service
39822 Belgrave Road, Belgrave, ON. N0G 1E0 1 866 722 2262
www.euro-parts.ca • parts@euro-parts.ca • service@euro-parts.ca

Porter & Charles appliances are imported and distributed in North America by Euro-Line Appliances Inc. For more information, please visit one of our showrooms or www.ela.ca / www.elawest.ca

EURO-LINE APPLIANCES INC.

871 Cranberry Court, Oakville, ON
L6L 6J7 Canada
905.829.3980
1-800.421.6332
info@ela.ca

EURO-LINE APPLIANCES INC.

101-1014 Homer Street, Vancouver, BC
V6B 2W9, Canada
604.235.3980
1-855.ELA.WEST (352.9378)
info@elawest.ca