

INSERT-36

36" Built-In Insert Range Hood



Features & Benefits

Under Cabinet Range Hood

Low profile design offers a classic way to finish your kitchen.

Three-speed Fan

High, medium, and low setting to allow proper ventilation of your kitchen as needed.

Removable Honeycomb Filters

Easy installation and detaching allows you to properly clean the filters for optimum efficiency.

Electronic Push Buttons

Add a sophisticated look with the up-front, easy-to-use control buttons.

LED Light Strips

Includes two LED strips to help illuminate your cooking surface, increase visibility, and are more energy efficient.

GENERAL PROPERTIES

Under cabinet style
Ducted venting
Stainless steel

FEATURES

LED lighting
Three-speed adjustment
One dishwasher safe honeycomb filters
Electronic push buttons
Quiet (7 Sones/56 dBa) 300 CFM motor
6" Duct adaptor included

TECHNICAL DETAILS

Product dimensions in inch (W/D)

35^{7/16"} / 11^{7/16"}
900mm / 290mm

Cut Out dimensions in inch (W/D)

34^{13/16"} / 10^{11/16"}
884mm / 272mm

Weight

Gross Weight: 1.3kg (24 lbs.)

Electrical Requirement

115 V / 60 Hz / 15 Amp

Rated Input Power: 97 Watts

Rated Output Power: 97 Watts

*Supplied with a Canadian cord and plug.

INSERT-36



Installation Details

PRODUCT DIMENSIONS (INCH/MM)

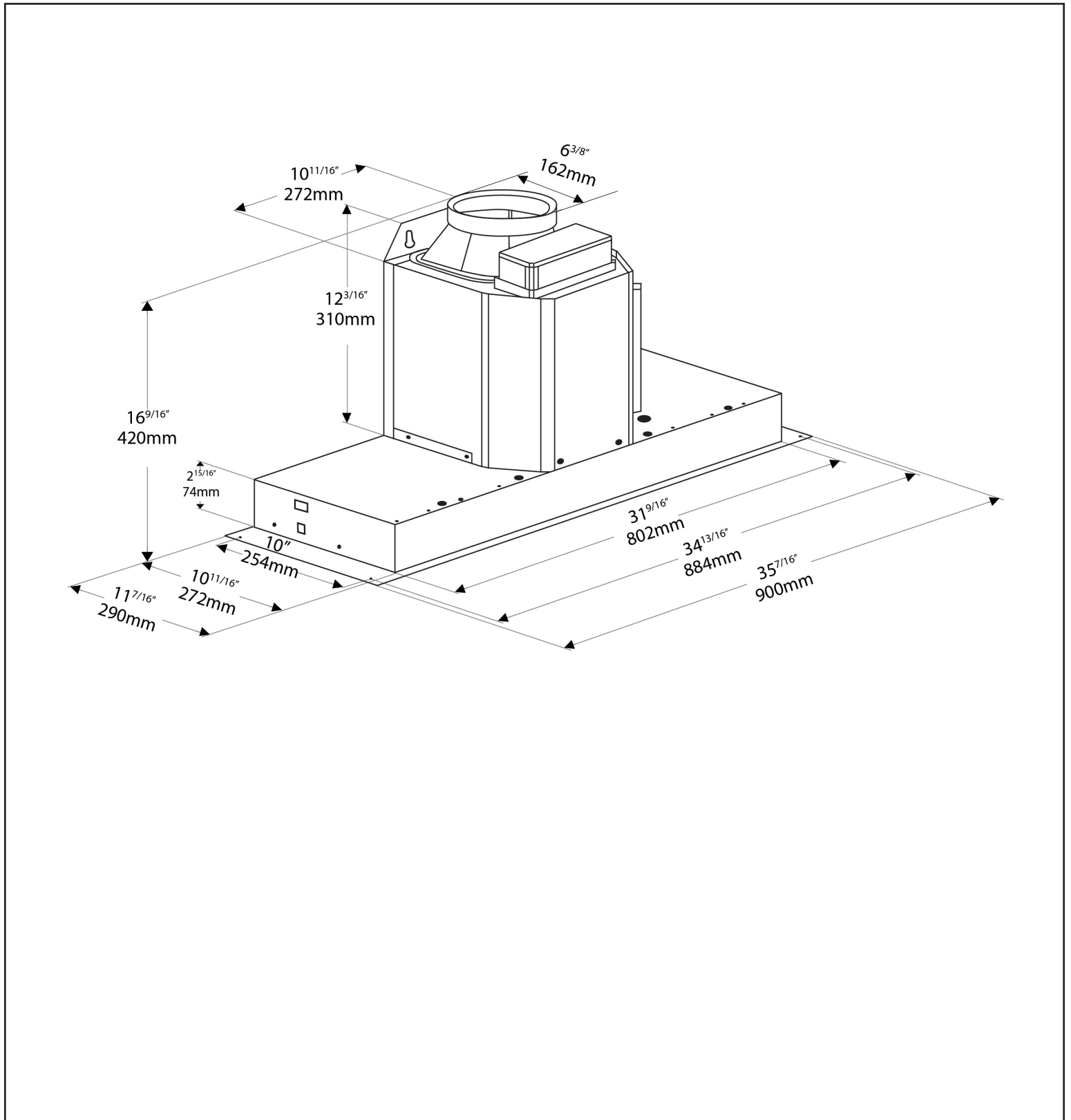
Width: 35⁷/₁₆" / Depth: 11⁷/₁₆"

Width: 900mm / Depth: 290mm

CUT-OUT DIMENSIONS (INCH/MM)

Width: 34¹³/₁₆" / Depth: 10¹¹/₁₆"

Width: 884mm / Depth: 272mm





WARRANTY INFORMATION

Porter & Charles Appliances are designed and manufactured to the highest standards. Each appliance is covered by a comprehensive 2-year parts and labour warranty. Refer to product warranty policy for complete terms and conditions.

FOR PARTS & SERVICE

Euro-Parts & Service

39822 Belgrave Road, Belgrave, ON. N0G 1E0 1 866 722 2262

www.euro-parts.ca • parts@euro-parts.ca • service@euro-parts.ca

Porter & Charles appliances are imported and distributed in North America by Euro-Line Appliances Inc. For more information, please visit one of our showrooms or www.ela.ca / www.elawest.ca

EURO-LINE APPLIANCES INC.

871 Cranberry Court, Oakville, ON

L6L 6J7 Canada

905.829.3980

1-800.421.6332

info@ela.ca

EURO-LINE APPLIANCES INC.

101-1014 Homer Street, Vancouver, BC

V6B 2W9, Canada

604.235.3980

1-855.ELA.WEST (352.9378)

infowest@ela.ca