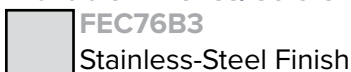


FEC76B3

30" Stainless Steel Electric Range



Available Finishes/Colors



FEC76B3

Stainless-Steel Finish

KEY FEATURES

Flexible Cooking

Experience the ultimate cooking flexibility and get the look of a built-in range, with a powerful cooktop that offers four elements, designed to handle all your cooking needs.

4 Cooking Zones

Surface features one double ring, 120mm-750W, 210mm 2200W, one expandable 190mm-1400W, 2200W-285mm and two 145mm-1200W elements to accommodate a range of sizes and cooking needs.

105L (3.8cu.ft) Oven Capacity

Offering 3.8 cu. ft., a large oven capacity accommodates most pots and pans.

True Fan Convection

Achieve perfectly even results with accurate heat circulation thanks to True European Convection with Precise Air.

Upfront Controls

Control panel is conveniently located to prevent users from reaching over hot cooktop surface for adjustments.

Indicator Lights

Control panel includes an 'on' light for the oven and burners for added safety when using the range.

Accessories

Grill/Roasting pan, Reversible grill insert, Full-extension telescopic rails, 2 Chrome oven racks.



Four
Zones



Extendable
Zone



Stainless
Steel Controls



Easy Clean
Surface

GENERAL PROPERTIES

Stainless-steel slide-in electric range

4 Electric zones

105L (3.8cu.ft) Oven Capacity

Heavy-duty stainless-steel control knobs

FEATURES

4 Zones with 2 Expandable Zones

Adjustable leg height

Heavy-duty stainless steel control knobs

Easy clean surface

COOKTOP PERFORMANCE

2 x 145mm Hi-lite Elements: 1200 W

1 x Double Ring Element: 750 W - 2200 W

1 x Expandable Element: 1400 W - 2200 W

OVEN FEATURES

9 cooking functions including True Fan convection

Digital temperature display

Double glazed removable door

Fully programmable clock/timer with delay start and finish

Heat-activated continuous clean catalytic liners

Interior halogen lighting

Diamond glazed interior

Catalytic clean

OVEN FUNCTIONS

True Fan Convection, Fan Assist, Fan Assist with Grill, High Bake, Full Grill, Half Grill, Defrost, Conventional Cooking

TECHNICAL DETAILS

Product Dimensions (W/H/D)

30" / 36^{1/4}" / 25^{3/16}"

762mm / 920mm / 640mm

Cut-Out Dimensions (W/H/D)

30^{1/16}" / 35^{7/16}" / 24^{1/2}"

764mm / 900mm / 622mm

ELECTRICAL REQUIREMENTS

208/240 volt, 60Hz, 40 amp

Supplied with range cord and plug

Installation Details

PRODUCT DIMENSIONS (INCH/MM)

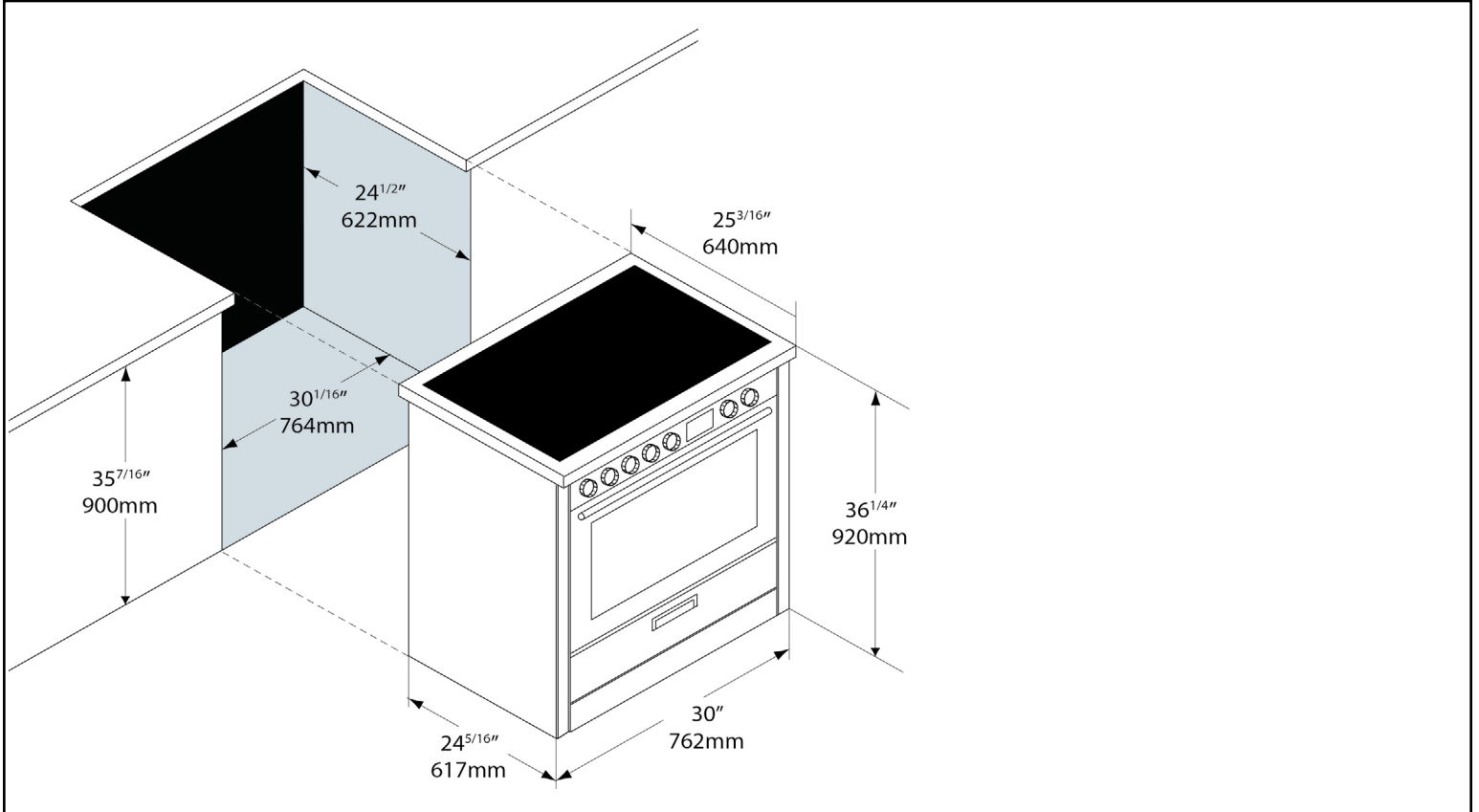
Width: 30" / Height: 36¹/₄" / Depth: 25³/₁₆"

Width: 762mm / Height: 920mm / Depth: 640mm

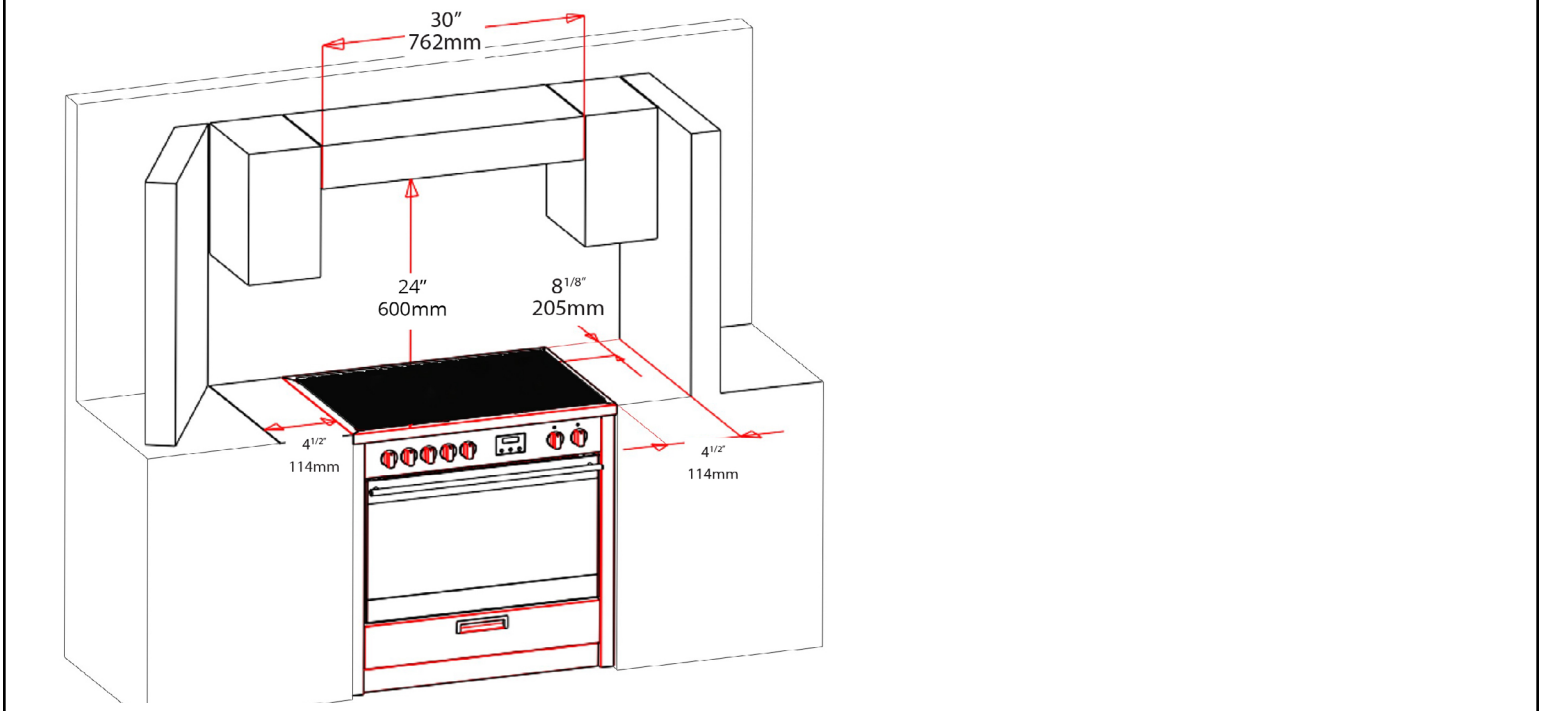
CUT-OUT DIMENSIONS (INCH/MM)

Width: 30¹/₁₆" / Height: 35⁷/₁₆" / Depth: 25³/₁₆"

Width: 764mm / Height: 900mm / Depth: 640mm



RECOMMENDED MINIMUM CLEARANCE





WARRANTY INFORMATION

Porter & Charles Appliances are designed and manufactured to the highest standards. Each appliance is covered by a comprehensive 2-year parts and labour warranty. Refer to product warranty policy for complete terms and conditions.

FOR PARTS & SERVICE

Euro-Parts & Service
39822 Belgrave Road, Belgrave, ON. N0G 1E0 1 866 722 2262
www.euro-parts.ca • parts@euro-parts.ca • service@euro-parts.ca

Porter & Charles appliances are imported and distributed in North America by Euro-Line Appliances Inc. For more information, please visit one of our showrooms or www.ela.ca / www.elawest.ca

EURO-LINE APPLIANCES INC.

871 Cranberry Court, Oakville, ON
L6L 6J7 Canada
905.829.3980
1-800.421.6332
info@ela.ca

EURO-LINE APPLIANCES INC.

101-1014 Homer Street, Vancouver, BC
V6B 2W9, Canada
604.235.3980
1-855.ELA.WEST (352.9378)
info@elawest.ca