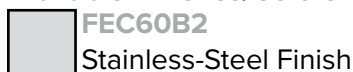


FEC60B2

24" Stainless Steel Electric Range



Available Finishes/Colors



FEC60B2

Stainless-Steel Finish

KEY FEATURES

Flexible Cooking

Experience the ultimate cooking flexibility and get the look of a built-in range, with a powerful cooktop that offers four elements, designed to handle all your cooking needs.

4 High-Performance Cooking Zones

Surface features one 2200W 120mm, one 1800W 180mm and two 1200W 145mm" elements to accommodate a range of sizes and cooking needs.

63L (2.2cu.ft) Oven Capacity

Accommodates multiple courses simultaneously and lets you cook for a larger group in less time.

True European Convection

A dedicated heating element around the fan evenly distributes heat for the best baking results.

Upfront Controls

Control panel is conveniently located to prevent users from reaching over hot cooktop surface for adjustments.

Indicator Lights

Control panel includes an 'on' light for the oven and burners for added safety when using the range.

Accessories

Grill/Roasting pan, Reversible grill insert, Full-extension telescopic rails, 2 Chrome oven racks.



Four Zones



Extendable Zone



Stainless Steel Controls



Easy Clean Surface

GENERAL PROPERTIES

Stainless-steel slide-in electric range

4 Zones

63L (2.2 cu.ft) Oven Capacity

Heavy-duty stainless-steel control knobs

FEATURES

4 Zones with 2 Expandable

Heavy-duty stainless steel control knobs

Easy-to-clean enamel burner plate

Residual heat indicator

COOKTOP PERFORMANCE

2 x 145mm Hi-lite Elements: 1200 W

1 x 180mm Hi-lite Element : 1800 W

1 x 120mm Hi-lite Element: 2200 W

OVEN FEATURES

9 cooking functions including True Fan convection

Digital temperature display

Double glazed door

Fully programmable clock/timer with delay start and finish

Heat-activated continuous clean catalytic liners

Interior halogen lighting

Diamond glazed interior

OVEN FUNCTIONS

True Fan Convection, Fan Assist, Fan Assist with Grill, High Bake, Full Grill, Half Grill, Defrost, Conventional Cooking

TECHNICAL DETAILS

Product Dimensions (W/H/D)

23^{5/8"} / 36^{1/4"} / 25^{3/16"}

600mm / 920mm / 640mm

Cut-Out Dimensions (W/H/D)

23^{11/16"} / 35^{7/8"} / 25^{3/16"}

602mm / 900mm / 640mm

ELECTRICAL REQUIREMENTS

208/240 volt, 60Hz, 40 amp

Supplied with range cord and plug

Installation Details

PRODUCT DIMENSIONS (INCH/MM)

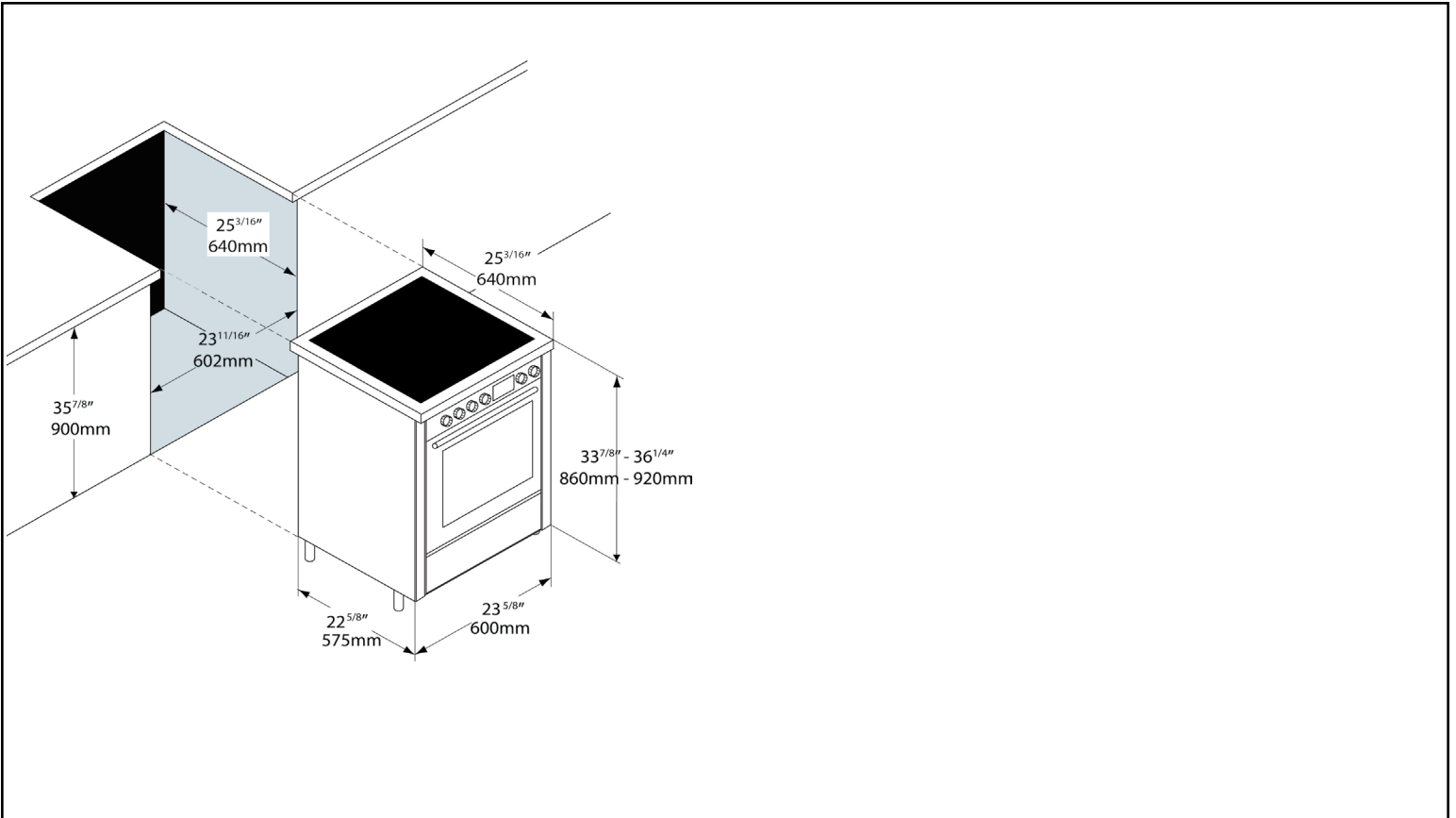
Width: 23^{5/8}" / Height: 36^{1/4}" / Depth: 25^{3/16}"

Width: 600mm / Height: 920mm / Depth: 640mm

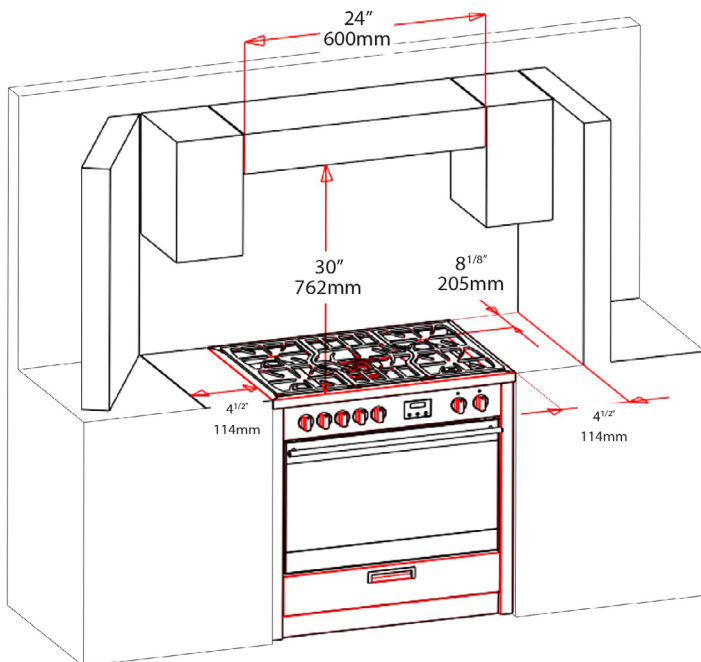
CUT-OUT DIMENSIONS (INCH/MM)

Width: 23^{11/16}" / Height: 35^{7/16}" / Depth: 25^{3/16}"

Width: 602mm / Height: 900mm / Depth: 640mm



RECOMMENDED MINIMUM CLEARANCE





WARRANTY INFORMATION

Porter & Charles Appliances are designed and manufactured to the highest standards. Each appliance is covered by a comprehensive 2-year parts and labour warranty. Refer to product warranty policy for complete terms and conditions.

FOR PARTS & SERVICE

Euro-Parts & Service
39822 Belgrave Road, Belgrave, ON. N0G 1E0 1 866 722 2262
www.euro-parts.ca • parts@euro-parts.ca • service@euro-parts.ca

Porter & Charles appliances are imported and distributed in North America by Euro-Line Appliances Inc. For more information, please visit one of our showrooms or www.ela.ca / www.elawest.ca

EURO-LINE APPLIANCES INC.

871 Cranberry Court, Oakville, ON
L6L 6J7 Canada
905.829.3980
1-800.421.6332
info@ela.ca

EURO-LINE APPLIANCES INC.

101-1014 Homer Street, Vancouver, BC
V6B 2W9, Canada
604.235.3980
1-855.ELA.WEST (352.9378)
info@elawest.ca