

# DWVFI18

## 18" Fully-Integrated Top Control, Dishwasher



### Available Finishes/Colors

 DWVFI18  
Panel Ready

### KEY FEATURES

#### Panel Ready

Seamlessly integrate into your kitchen, and match your existing or new cabinetry with panel ready design! (Panels and handles not included).

#### Top Control Panel

Controls are tucked away on top of the dishwasher door for a clean look to match your kitchen style.

#### Quiet Performance

Creates a peaceful kitchen environment even as it delivers powerful wash performance, operating at 47 decibels.

#### 10 Place Settings

Provides flexibility to wash a variety of dishes at once.

#### Flexible Wash Programs

Offers 8 wash programs including 'Auto', which automatically senses the optimal wash cycle for your dishes.

#### 5 Wash Options

Wash options include half load, extra dry, extra rinse, sanitize, and hi-temp.

#### Third Level Cutlery Rack

Provides additional space for long and flat items like silverware, serving utensils and spatulas.

#### ENERGY STAR® Rated

Energy Star® rated dishwashers use less water and energy than standard models helping to save money on utility bills.



Third Rack



Half Load



Delay Timer



ENERGY STAR®

### GENERAL PROPERTIES

Fully-integrated dishwasher

Panel Ready

Stainless Steel Interior

### FEATURES

Top hidden controls

10 Place Settings

8 Wash Programs

5 Wash Options

Third level cutlery rack

Delay timer

End of program indicator

Quiet operation: 47 dB

3-in-1 Compatible washing tabs

Detergent and Rinse aid dispenser

### PROGRAMS

Regular, Auto, Intensive Plus, Daily, Delicates, Super, Rinse.

### OPTIONS

Half Load, Extra Dry, Extra Rinse, Sanitize, High-Temp.

### TECHNICAL DETAILS

#### Product dimensions (W/H/D)

17<sup>5/8"</sup> / 32<sup>9/32"</sup> -34<sup>9/32"</sup> / 22<sup>1/2"</sup>

448mm / 820mm-870mm / 571mm

#### Cabinet dimensions (W/H/D)

17<sup>3/4"</sup> / 32<sup>7/16"</sup> -34<sup>7/16"</sup> / 22<sup>1/2"</sup>

450mm / 824mm-874mm / 571mm

### ELECTRICAL REQUIREMENTS

120 V / 60 Hz / 12 Amp

### OTHER

Total Power: 1400 Watts

Heater Power: 1100 Watts

Water Pressure: 43.5-145 psi (0.3-10 bars)

Energy Consumption: 250 kWh/yr.

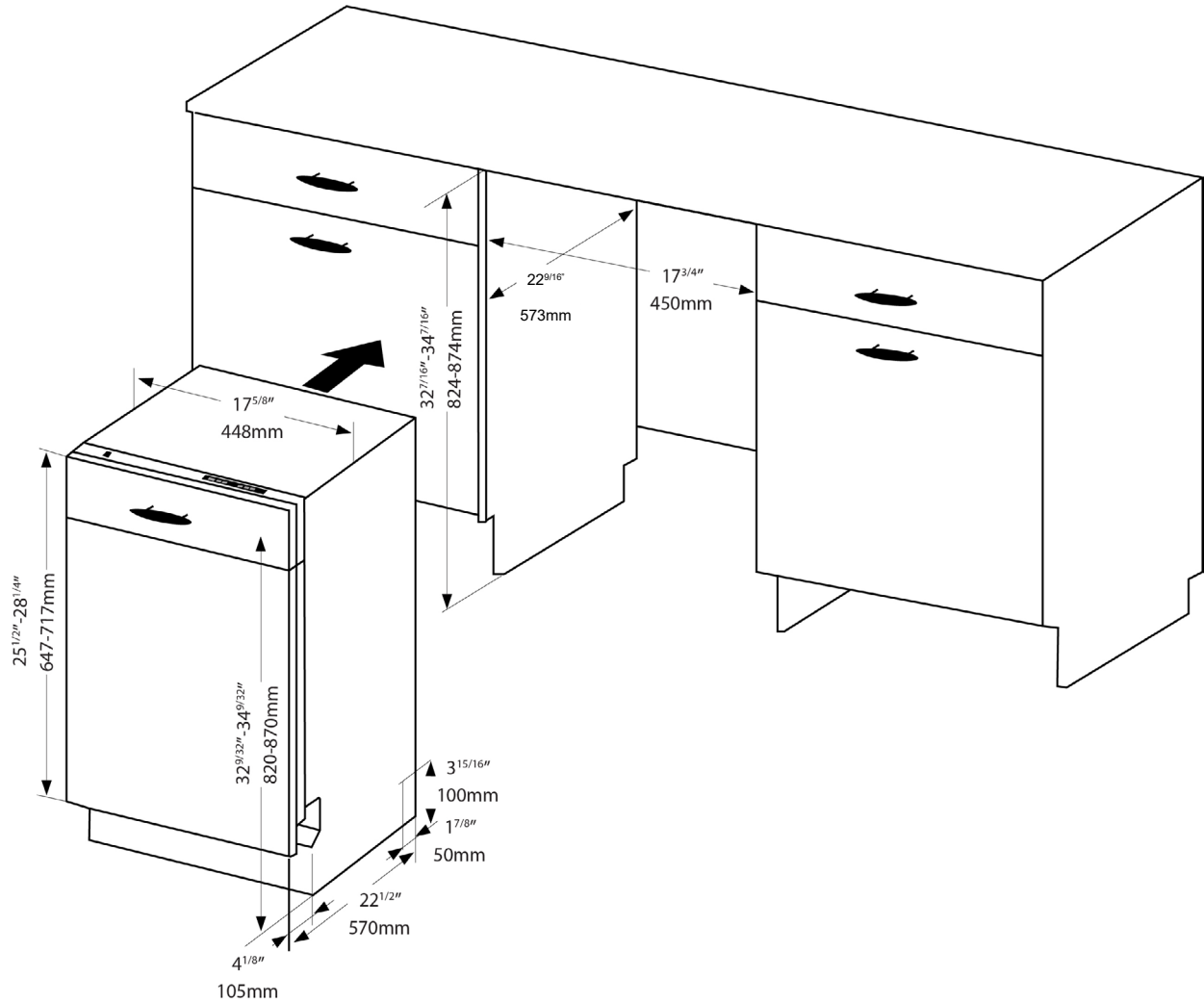
ENERGY STAR®

### PRODUCT DIMENSIONS (INCH/MM)

**Width:** 17<sup>5</sup>/<sub>8</sub>" / **Height:** 32<sup>9</sup>/<sub>32</sub>"-34<sup>9</sup>/<sub>32</sub>" / **Depth:** 22<sup>1</sup>/<sub>2</sub>"  
**Width:** 448mm / **Height:** 820mm-870mm / **Depth:** 571mm

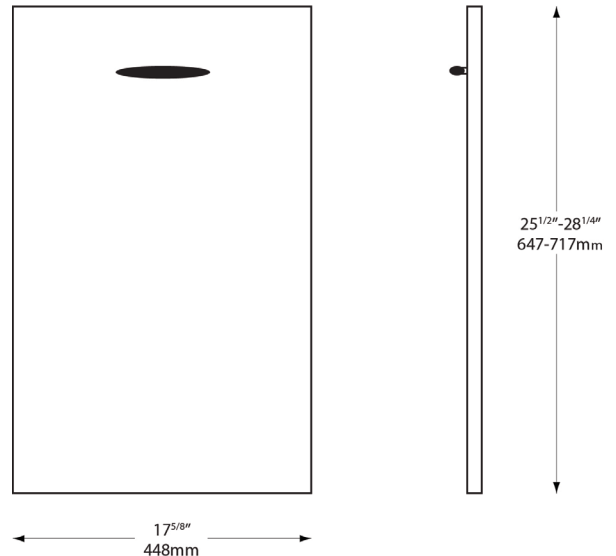
### CUT-OUT DIMENSIONS (INCH/MM)

**Width:** 17<sup>3</sup>/<sub>4</sub>" / **Height:** 32<sup>7</sup>/<sub>16</sub>"-34<sup>7</sup>/<sub>16</sub>" / **Depth:** 22<sup>9</sup>/<sub>16</sub>"  
**Width:** 450mm / **Height:** 824mm-874mm / **Depth:** 573mm



### PANEL DIMENSIONS (INCH/MM)

**Width:** 17<sup>5</sup>/<sub>8</sub>" / **Height:** 25<sup>1</sup>/<sub>2</sub>"-28<sup>1</sup>/<sub>4</sub>"  
**Width:** 448mm / **Height:** 547mm-717mm





#### WARRANTY INFORMATION

Porter & Charles Appliances are designed and manufactured to the highest standards. Each appliance is covered by a comprehensive 2-year parts and labour warranty. Refer to product warranty policy for complete terms and conditions.

#### FOR PARTS & SERVICE

Euro-Parts & Service  
39822 Belgrave Road, Belgrave, ON. N0G 1E0 1 866 722 2262  
[www.euro-parts.ca](http://www.euro-parts.ca) • [parts@euro-parts.ca](mailto:parts@euro-parts.ca) • [service@euro-parts.ca](mailto:service@euro-parts.ca)

Porter & Charles appliances are imported and distributed in North America by Euro-Line Appliances Inc. For more information, please visit one of our showrooms or [www.ela.ca](http://www.ela.ca) / [www.elawest.ca](http://www.elawest.ca)

#### ***EURO-LINE APPLIANCES INC.***

871 Cranberry Court, Oakville, ON  
L6L 6J7 Canada  
905.829.3980  
1-800.421.6332  
[info@ela.ca](mailto:info@ela.ca)

#### ***EURO-LINE APPLIANCES INC.***

101-1014 Homer Street, Vancouver, BC  
V6B 2W9, Canada  
604.235.3980  
1-855.ELA.WEST (352.9378)  
[info@elawest.ca](mailto:info@elawest.ca)