

FABER

CYLINDRA ISOLA

Installation Instructions
Use and Care Information

Instructions d'installation
Utilisez et d'entretien

Instrucciones de instalación
Información de uso y cuidado

CYLNIS15SS600

Contents

| | |
|--|-----------|
| Important Safety Instructions | 3 |
| Range Hood Dimensions | 6 |
| Installation Height Requirements | 8 |
| Parts | 9 |
| Choose Venting Method | 12 |
| Ceiling Hood Preparation | 14 |
| Hood Frame Preparation | 16 |
| Venting- Non Ducted Recirculation | 18 |
| Venting- Ducted Venting | 19 |
| Install The Hood Frame | 20 |
| Connecting Electricity | 21 |
| Install The Hood Body | 22 |
| Comfort Panel Installation | 25 |
| Operating The Controls | 28 |
| Remote Control (Optional) | 29 |
| Cleaning Stainless Steel | 29 |
| Caring For Filters | 30 |
| Replacing Bulbs | 31 |
| Warranty | 32 |

IMPORTANT SAFETY INSTRUCTIONS

READ AND SAVE THESE INSTRUCTIONS BEFORE YOU START INSTALLING THIS RANGE HOOD

WARNING: - TO REDUCE THE RISK OF A RANGE TOP GREASE FIRE:

- a) Never leave surface units unattended at high settings. Boilovers cause smoking and greasy spillovers that may ignite. Heat oils slowly on low or medium setting.
- b) Always turn hood ON when cooking at high heat or when flambeing food (i.e. Crepes Suzette, Cherries Jubilee, Peppercorn Beef Flambé).
- c) Clean ventilating fans frequently. Grease should not be allowed to accumulate on fan or filter.
- d) Use proper pan size. Always use cookware appropriate for the size of the surface element.

WARNING: - TO REDUCE THE RISK OF INJURY TO PERSONS IN THE EVENT OF A RANGE TOP GREASE FIRE, OBSERVE THE FOLLOWING*:

- a) SMOTHER FLAMES with a close-fitting lid, cookie sheet, or metal tray, then turn off the burner. BE CAREFUL TO PREVENT BURNS. If the flames do not go out immediately EVACUATE AND CALL THE FIRE DEPARTMENT.
- b) NEVER PICK UP A FLAMING PAN - You may be burned.
- c) DO NOT USE WATER, including wet dishcloths or towels - a violent steam explosion will result.
- d) Use an extinguisher ONLY if:
 1. You know you have a Class ABC extinguisher, and you already know how to operate it.
 2. The fire is small and contained in the area where it started.
 3. The fire department is being called.
 4. You can fight the fire with your back to an exit.

* Based on "Kitchen Firesafety Tips" published by NFPA

WARNING - TO REDUCE THE RISK OF FIRE OR ELECTRIC SHOCK, do not use this fan with any solid-state speed control device.

WARNING - TO REDUCE THE RISK OF FIRE, ELECTRICAL SHOCK, OR INJURY TO PERSONS, OBSERVE THE FOLLOWING:

1. Use this unit only in the manner intended by the manufacturer. If you have any questions, contact the manufacturer.
2. Before servicing or cleaning unit, switch power off at service panel and lock the service disconnecting means to prevent power from being switched on accidentally. When the service disconnecting means cannot be locked, securely fasten a prominent warning device, such as a tag, to the service panel.

CAUTION: For General Ventilating Use Only. Do Not Use To Exhaust Hazardous or Explosive Materials and Vapors.

WARNING - TO REDUCE THE RISK OF FIRE, ELECTRICAL SHOCK, OR INJURY TO PERSONS, OBSERVE THE FOLLOWING:

1. Installation Work And Electrical Wiring Must Be Done By Qualified Person(s) In Accordance With All Applicable Codes And Standards, Including Fire-Rated Construction.
2. Sufficient air is needed for proper combustion and exhausting of gases through the flue (chimney) of fuel burning equipment to prevent backdrafting. Follow the heating equipment manufacturer's guideline and safety standards such as those published by the National Fire Protection Association (NFPA), and the American Society for Heating, Refrigeration and Air Conditioning Engineers (ASHRAE), and the local code authorities.

- 3. When cutting or drilling into wall or ceiling, do not damage electrical wiring and other hidden utilities.**
- 4. Ducted fans must always be vented to the outdoors.**

ALL WALL AND FLOOR OPENINGS WHERE THE RANGE HOOD IS INSTALLED MUST BE SEALED.

This range hood requires at least 24" of clearance between the bottom of the range hood and the cooking surface or countertop. This hood has been approved by UL at this distance from the cooktop.

This minimum clearance may be higher depending on local building codes. For gas cooktops and combination ranges, a minimum of 30" is recommended and may be required.

Overhead cabinets on both sides of this unit must be a minimum of 18" above the cooking surface or countertop. Consult the cooktop or range installation instructions given by the manufacturer before making any cutouts.

MOBILE HOME INSTALLATION The installation of this range hood must conform to the Manufactured Home Construction and Safety Standards, Title 24 CFR, Part 3280 (formerly Federal Standard for Mobile Home Construction and Safety, Title 24, HUD, Part 280). See Electrical Requirements"

VENTING REQUIREMENTS

Determine which venting method is best for your application. Ductwork can extend either through the wall or the roof.

The length of the ductwork and the number of elbows should be kept to a minimum to provide efficient performance. The size of the ductwork should be uniform. Do not install two elbows together. Use duct tape to seal all joints in the ductwork system. Use caulking to seal exterior wall or floor opening around the cap.

Flexible ductwork is not recommended. Flexible ductwork creates back pressure and air turbulence that greatly reduces performance.

Make sure there is proper clearance within the wall or floor for exhaust duct before making cutouts. Do not cut a joist or stud unless absolutely necessary. If a joist or stud must be cut, then a supporting frame must be constructed.

WARNING - To Reduce The Risk Of Fire, Use Only Metal Ductwork.

CAUTION - To reduce risk of fire and to properly exhaust air, be sure to duct air outside - Do not vent exhaust air into spaces within walls or ceilings or into attics, crawl spaces, or garages.

Cold Weather installations

An additional back draft damper should be installed to minimize backward cold air flow and a non-metallic thermal break should be installed to minimize conduction of outside temperatures as part of the vent system. The damper should be on the cold air side of the thermal break. The break should be as close as possible to where the vent system enters the heated portion of the house.



WARNING

- Venting system **MUST** terminate outside the home.
- **DO NOT** terminate the ductwork in an attic or other enclosed space.
- **DO NOT** use 4" laundry-type wall caps.
- Flexible-type ductwork is not recommended.
- **DO NOT** obstruct the flow of combustion and ventilation air.
- Failure to follow venting requirements may result in a fire.

ELECTRICAL REQUIREMENTS

A 120 volt, 60 Hz AC-only electrical supply is required on a separate 15 amp fused circuit. A time-delay fuse or circuit breaker is recommended. The fuse must be sized per local codes in accordance with the electrical rating of this unit as specified on the serial/rating plate located inside the unit near the field wiring compartment.

ELECTRICAL INSTALLATION WITH WIRING BOX

THIS UNIT MUST BE CONNECTED WITH COPPER WIRE ONLY. Wire sizes must conform to the requirements of the National Electrical Code, ANSI/NFPA 70 - latest edition, and all local codes and ordinances. Wire size and connections must conform with the rating of the appliance. Copies of the standard listed above may be obtained from:

National Fire Protection Association
Batterymarch Park
Quincy, Massachusetts 02269

This appliance should be connected directly to the fused disconnect (or circuit breaker) through flexible, armored or nonmetallic sheathed copper cable. Allow some slack in the cable so the appliance can be moved if servicing is ever necessary. A UL Listed, 1/2" conduit connector must be provided at each end of the power supply cable (at the appliance and at the junction box).

When making the electrical connection, cut a 1 1/4" hole in the wall. A hole cut through wood must be sanded until smooth. A hole through metal must have a grommet.



WARNING

- Electrical ground is required on this range hood.
- If cold water pipe is interrupted by plastic, nonmetallic gaskets or other materials, DO NOT use for grounding.
- DO NOT ground to a gas pipe.
- DO NOT have a fuse in the neutral or grounding circuit. A fuse in the neutral or grounding circuit could result in electrical shock.
- Check with a qualified electrician if you are in doubt as to whether the range hood is properly grounded.
- Failure to follow electrical requirements may result in a fire.


State of California Proposition 65 Warning (US only)

WARNING

This product contains chemicals known to the State of California to cause cancer and birth defects or other reproductive harm.

For more information go to www.P65Warnings.ca.gov

RANGE HOOD DIMENSIONS



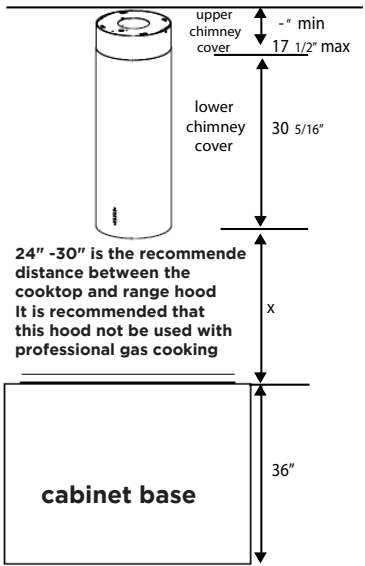
WARNING

PERSONAL INJURY HAZARD

Because of the weight and size of the range hood canopy, two or more people are needed to move and safely install the range hood canopy.

Failure to properly lift range hood could result in damage to the product or personal injury.

DUCTED



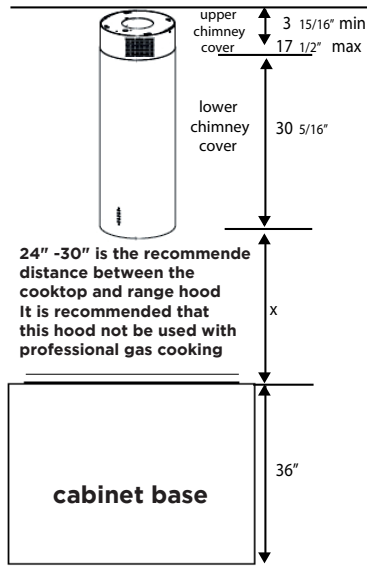
| min & max ceiling heights | |
|---------------------------|---------------------|
| ducted | ductless |
| $x = 24" - 30"$ | $x = 24" - 30"$ |
| min 7' 6 5/16" | min 7' 10 1/4" |
| max 8' 11 13/16" | max 8' 11 13/16" |

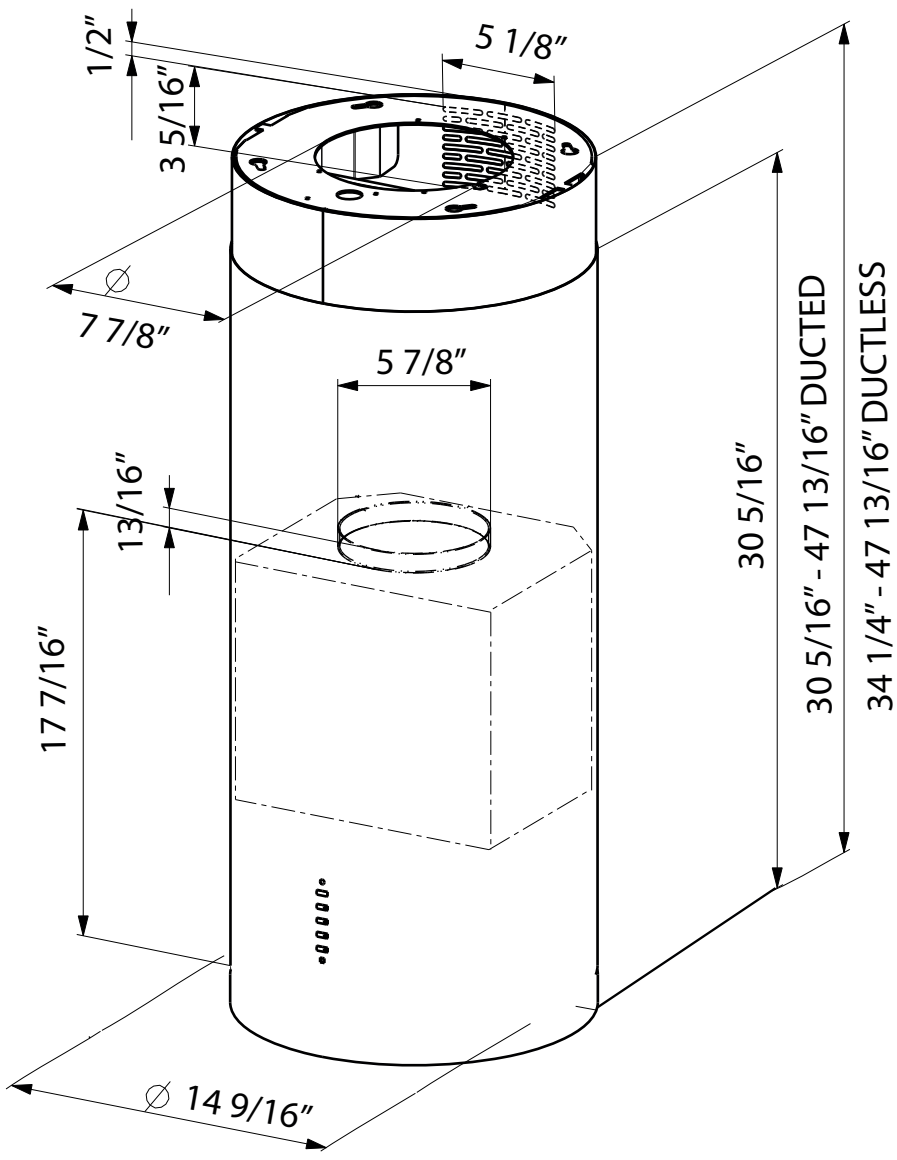
$x = \text{Min. } 24"$



$x = \text{Min. } 30"$

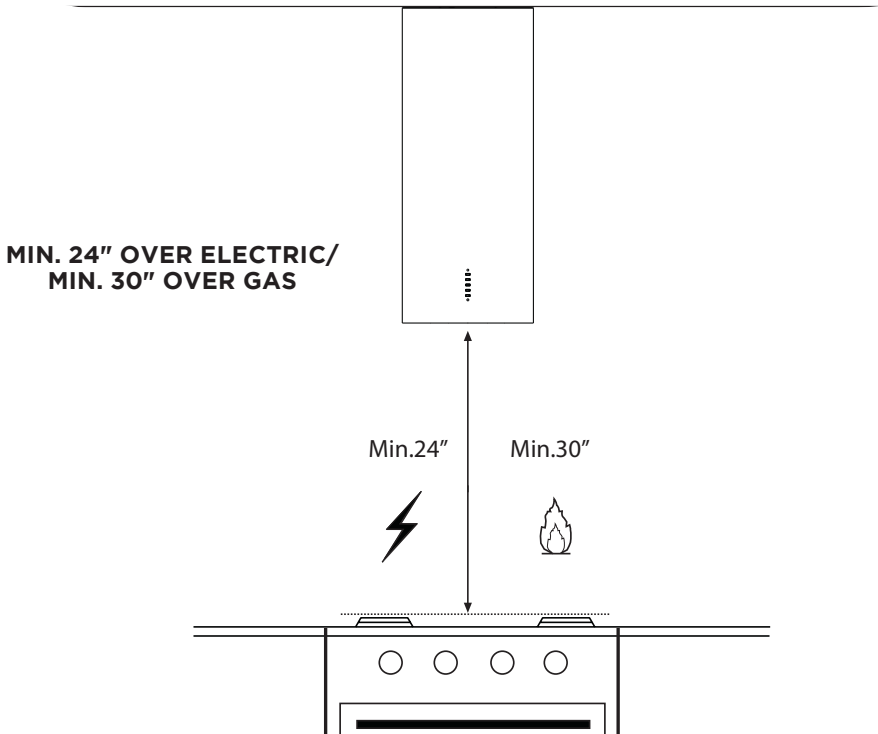
DUCTLESS





INSTALLATION HEIGHT REQUIREMENTS

An access point to the hood from the ceiling or soffit must be made for installation and future access to the range hood.



PREPARING TO ATTACH THE CHIMNEY

The range hood attaches to the ceiling by a metal support structure (B on page 9). This support must be attached to the ceiling before the hood is attached. This structure must be firmly attached to the ceiling.

FOR WOOD CEILINGS: Use four 4" long wood screws and washers.



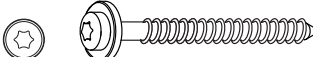
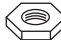


FOR PLASTER OR SHEET ROCK CEILINGS:

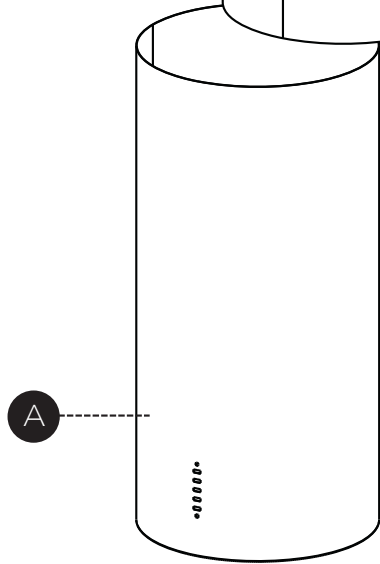
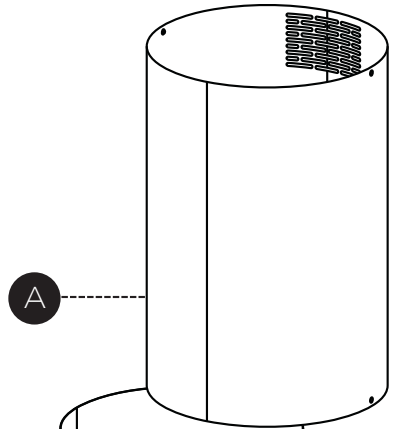
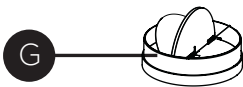
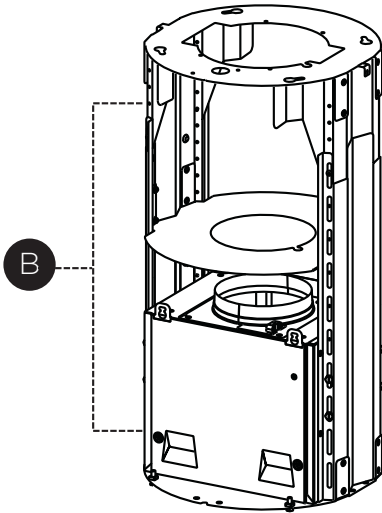
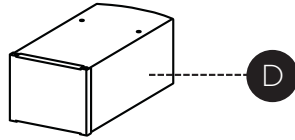
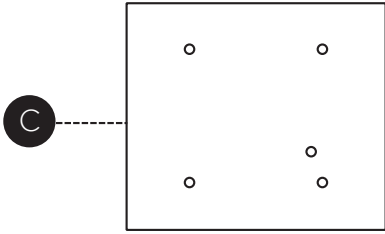
If possible, the support must be attached to the ceiling joists. If not, a supporting structure behind the sheet rock must be built.

PARTS

PARTS INCLUDED


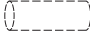



| REF. | PART | QTY |
|------|--|-----|
| A | Hood body | 1 |
| B | Telescopic frame complete with extractor | 1 |
| C | Mounting template | 1 |
| D | Ductless Air Outlet Connector | 1 |
| E | Flange \varnothing 4 3/4" | 1 |
| F | Reducer Flange \varnothing 5 7/8" - 4 3/4" | 1 |
| G | Damper | 1 |

| REF | PART | QTY |
|-----|---|-----|
| H | Pozi Screws (1/8" x 1/4")  | 4 |
| I | Torx Screws (1/4" x 9/16")  | 4 |
| L | Torx Screws (1/4" x 2 3/4")  | 4 |
| M | Nuts  | 4 |
| N | Washers  | 4 |
| O | Torx Screws (1/4" x 3 1/8")  | 4 |



PARTS (cont.)











PARTS NEEDED

| PART | |
|--|---|
| Pipe Clamps |  |
| 4 3/4" Pipe - NON-DUCTED RECIRCULATION |  |
| 5 7/8" Pipe - DUCTED VENTING |  |
| Wire connectors. |  |
| Drywall plugs or other suitable wall fasteners based on your installation. |  |

ACCESSORIES AVAILABLE

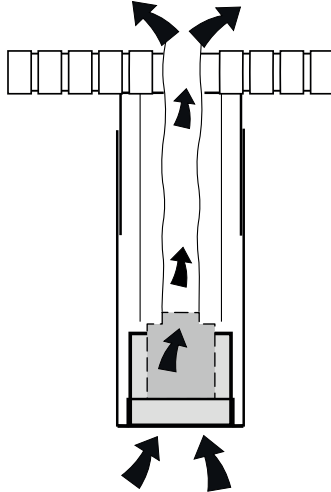
| ACCESSORY | SKU# |
|---------------------------------------|------------------|
| Replacement Activated Charcoal Filter | #FILTER2 |
| Wireless Remote Control | #REMCTRL2 |
| CFM Reducer Kit | CFMRED2 |

TOOLS NEEDED

| TOOL | |
|-------------------------------------|--|
| Tape Measure |  |
| Pencil |  |
| Electric Drill with 5/16" Drill Bit |  |
| Phillips Screwdriver |  |
| Torx Screwdriver |  |
| Pozi Screwdriver |  |
| Flat Head Screwdriver |  |
| Metal sheers |  |
| Work gloves |  |
| Foil tape |  |

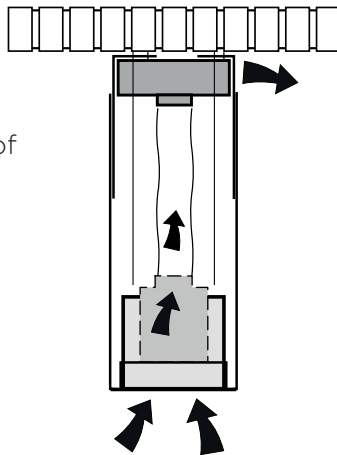
CHOOSE VENTING METHOD

1 CHOOSE VENTING METHOD
A) Ducted Venting Installation



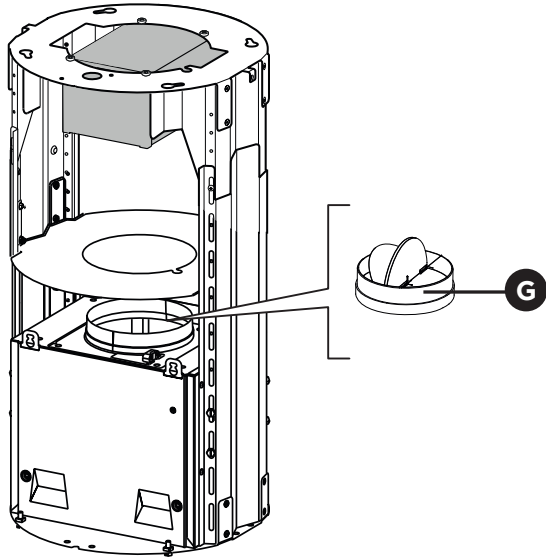
B) Non-Ducted Recirculation

Requires purchase of
Activated Charcoal
Accessory.



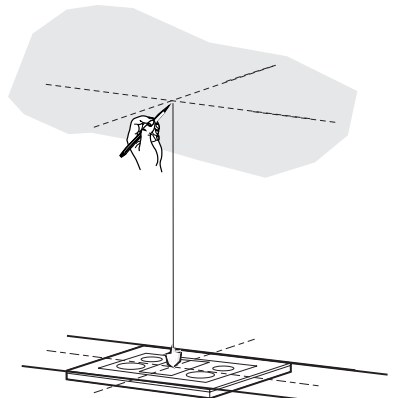
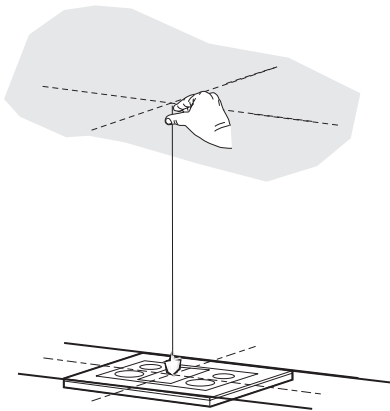
DUCTED VENTING INSTALLATION ONLY:

Install **G** Round Damper.



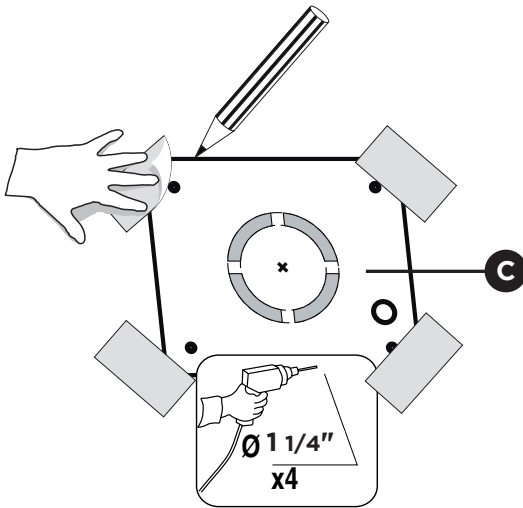
2

- Disconnect and move freestanding range from counter to provide easier access to ceiling. Put a thick, protective covering over cooktop, set-in range or countertop to protect from damage or dirt.
- Use a plumb line to mark the center of the Stove on the ceiling/soffit.



CEILING HOOD PREPARATION

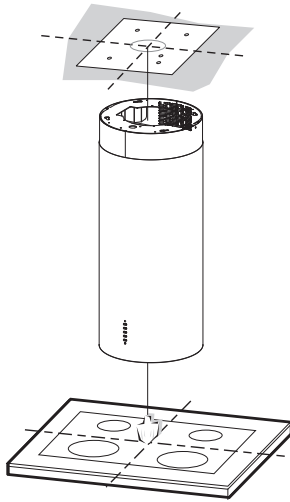
- 3
- Use the mounting template on the ceiling to determine placement of mounting screws on the ceiling.
 - Mark the center of the holes in the ceiling template.



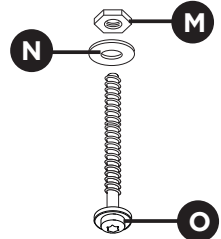
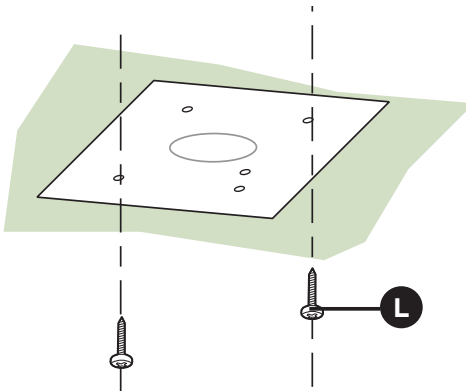
⚠ WARNING

DUE TO THE SIZE AND WEIGHT OF THIS RANGE HOOD, THE SUPPORT MUST BE FIRMLY ATTACHED TO THE CEILING. For plaster or sheet rock ceiling, the support must be attached to the joists. If this is not possible, a support structure must be built behind the plaster or sheet rock. The manufacturer assumes no responsibility for injury or damage caused by improper installations.

- Determine and make necessary cuts for the ductwork. The duct opening is shown on the mounting template. Install ductwork before mounting the hood.
- Determine the proper location for the Power Supply Cable as indicated on the template. Use a 1 1/4" Drill Bit to make this hole. Run the Power Supply Cable. Use caulking to seal around the hole.
- A knockout for threading through the Power Supply from the ceiling is located on the top of the frame. Do not connect the Power Cable to the Wiring Box or power up the hood at this time. Run enough power cable from the ceiling to reach the wiring box.



- 4**
- Take either your wood screws **L** or nuts **M** with washer **N** and screws **O** depending on your set-up and screw into the pilot holes and leave 1/4" of the heads exposed.
 - In this step it's possible to use only 2 screws (as shown).
 - For concrete ceilings, use the appropriate plugs for the screw size (not provided).

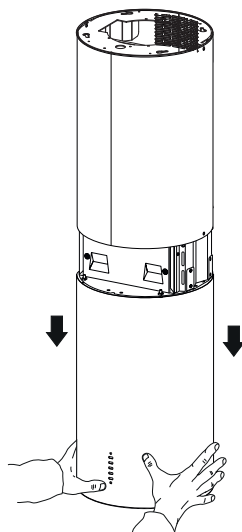
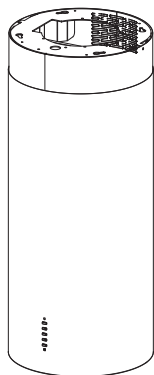


| | | |
|----------|-----------------------------|--|
| L | Torx Screws (1/4" x 2 3/4") | |
|----------|-----------------------------|--|

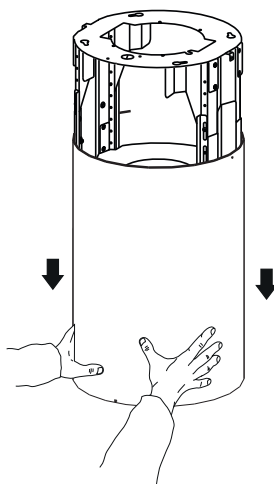
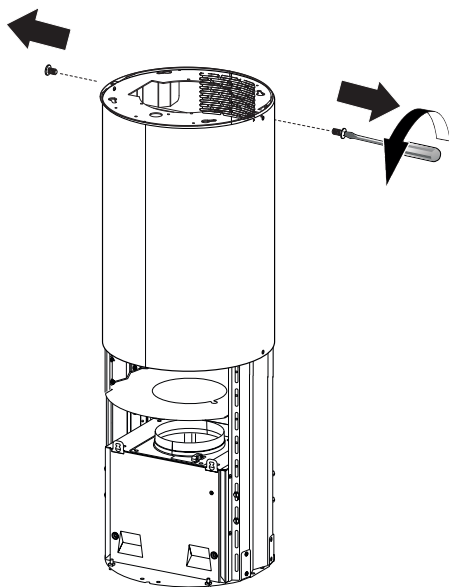
| | |
|------------------|--|
| Torx Screwdriver | |
|------------------|--|

HOOD FRAME PREPARATION

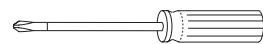
- 5 Remove the lower chimney from the lower frame.



- 6 Loosen the two screws fastening the upper chimney and remove this from the lower frame.



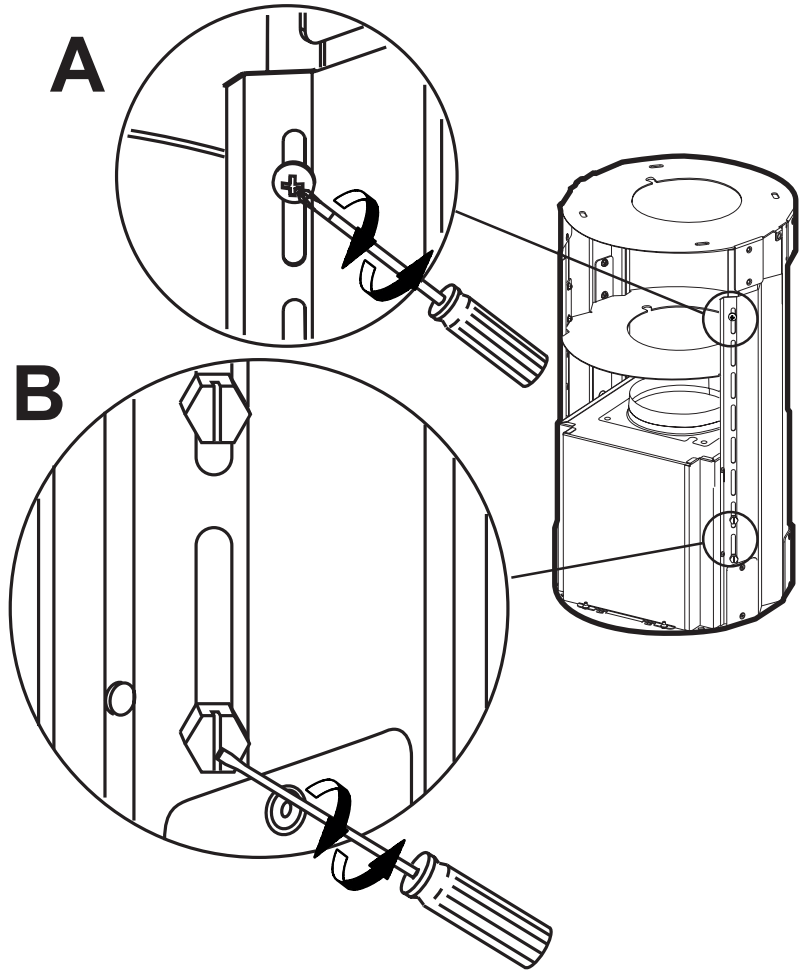
Phillips Screwdriver



7

If you need to adjust the height of the frame, proceed as follows:

- Unfasten the screws joining the two columns, located at the sides of the frame.
- Adjust the frame to the height required, then replace all the screws removed above, and then tighten.



Phillips Screwdriver



Flat Head Screwdriver

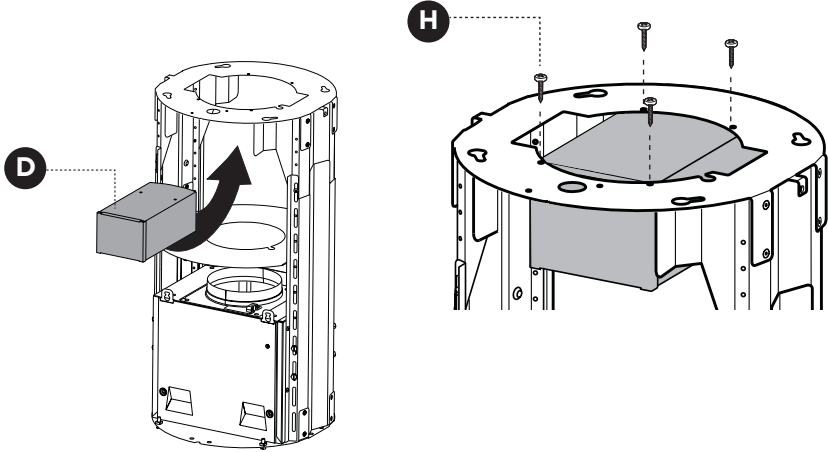


VENTING - NON DUCTED RECIRCULATION

8a

INSTALL DUCTLESS DIVERTER

- Attach the Ductless Air Outlet Connector **D** to the upper frame with 4 screws **H**.



H

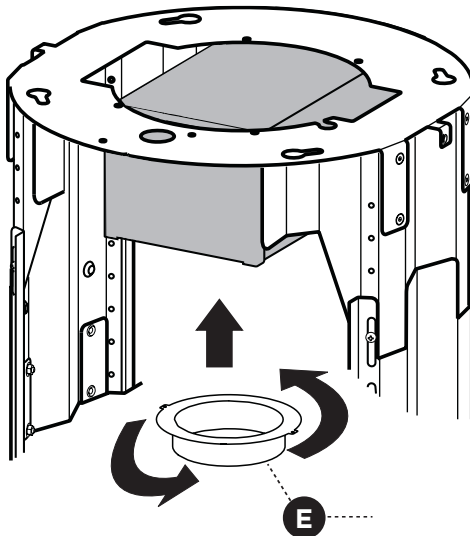
Pozi Screws (1/8" x 1/4")



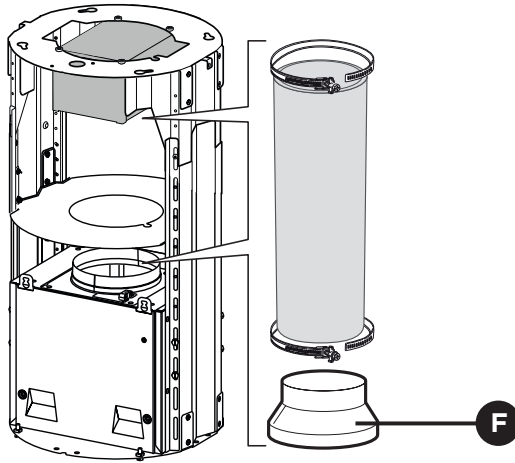
Pozi Screwdriver



- Attach the flange **E** to the lower part of the ductless outlet piece.



- Attach the reducer flange **F** to the air outlet.
- Install ducting (purchased separately) to connect the lower and upper flange.
- Attach the pipe with the clamps (not included).

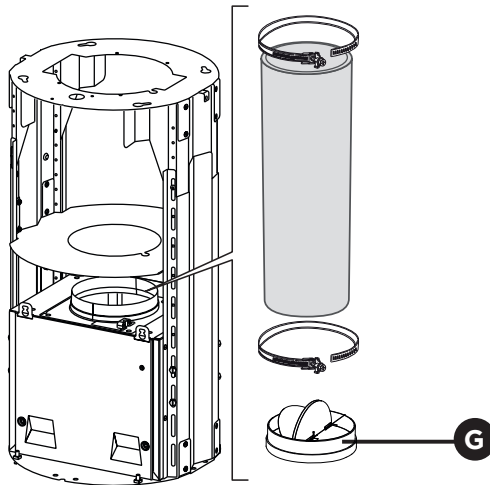


VENTING - DUCTED VENTING

8b

INSTALL DUCTED VENTING:

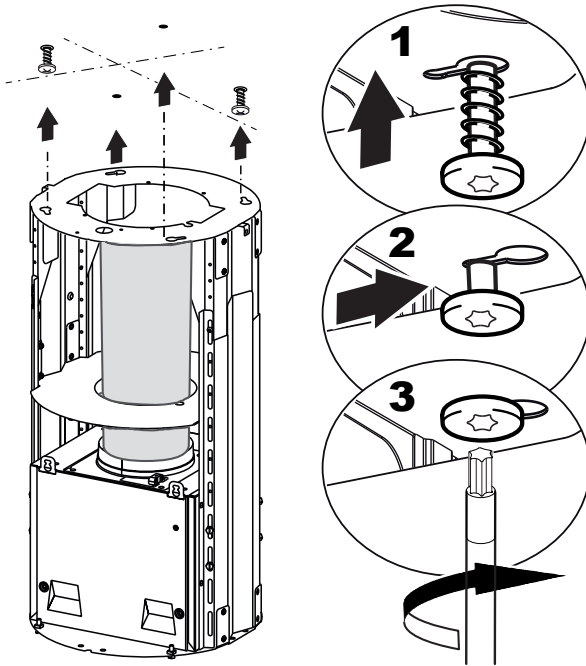
- Install the damper **G** and connect the ducting to the hood and seal all joints.
- Attach the pipe with the clamps (not included).



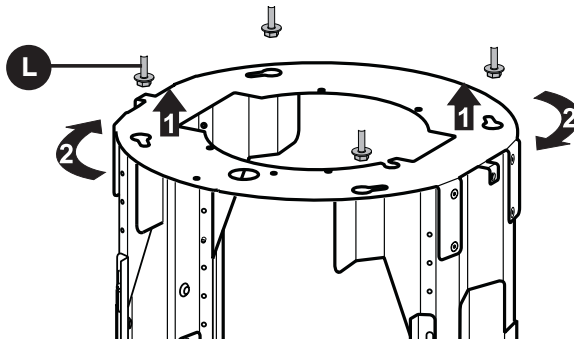
INSTALL THE HOOD FRAME

9

- Lift the frame to the ceiling, fit the frame slots onto the two screws inserted in the ceiling.
- Turn the frame to reach the center of the key hole .



- Tighten the screws and then attach two more screws **L** or nuts **M** with washer **N** and screws **O** depending on your set-up into the other holes making sure the screws are seated in the key holes.



| | | |
|-----------------|------------------------------------|--|
| <p>L</p> | <p>Torx Screws (1/4" x 2 3/4")</p> | |
|-----------------|------------------------------------|--|

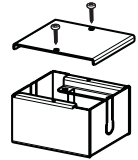
| | |
|-------------------------|--|
| <p>Torx Screwdriver</p> | |
|-------------------------|--|

CONNECTING ELECTRICITY

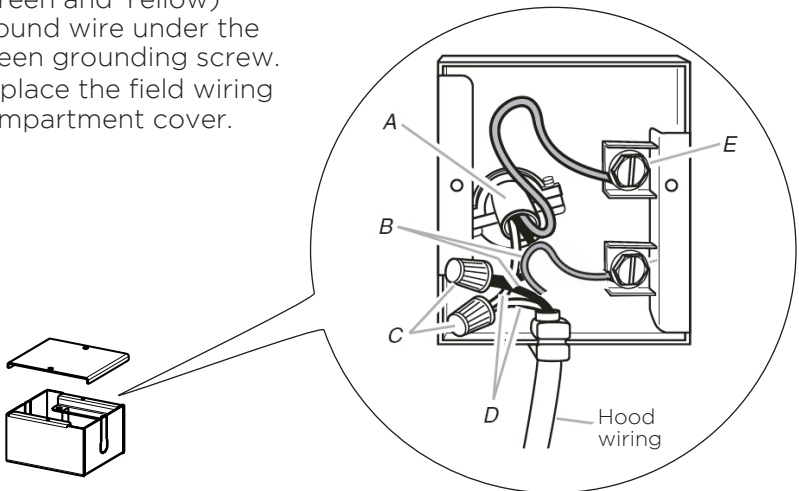
- Before moving onto the next steps, make sure the hood is properly secured to the ceiling.
- The frame mountings must be secure to withstand the weight of the hood and any stresses caused by the occasional side thrust applied to the device. On completion, check that the base is stable, and will remain stable even if side to side pressure is placed on the hood.
- In all cases where the ceiling is not strong enough at the suspension point, the installer must provide strengthening using suitable plates and backing pieces anchored to the structurally sound parts.

10

1. Remove the cover from the Field Wiring Compartment with a phillips screwdriver.

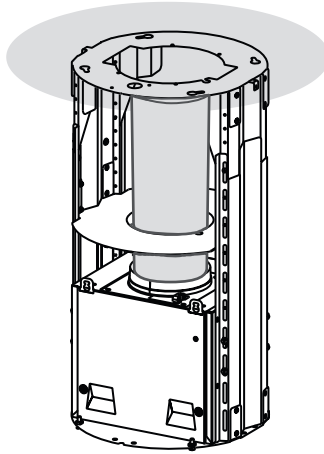


2. Feed the Power Supply Cable through the electrical knockout.
3. Connect the Power Supply Cable to the range hood.
4. Attach the White lead of the power supply **(A)** to the White lead of the range hood **(D)** with a twist-on type wire connector.
5. Attach the Black lead of the power supply to the Black lead of the range hood **(B)** with a twist-on type wire connector **(C)**.
6. Connect the Green **(E)** (Green and Yellow) ground wire under the Green grounding screw.
7. Replace the field wiring compartment cover.

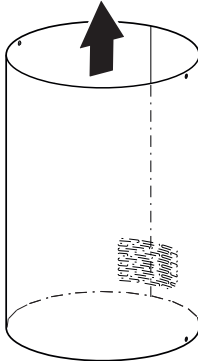


INSTALL THE HOOD BODY

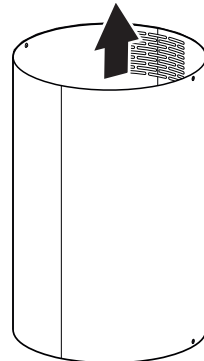
- 11
- For **ductless** installations, the venting holes in the upper stainless chimney need to be positioned up.
 - For **ducted** installations, the venting holes are positioned on the bottom.



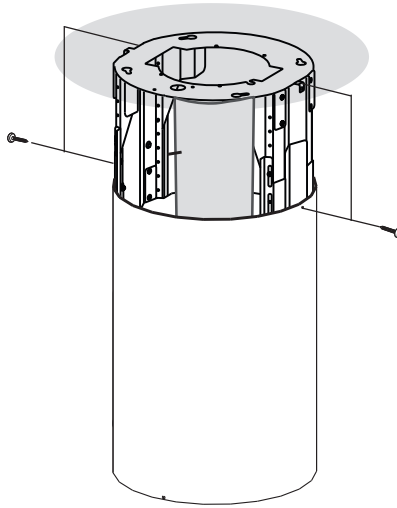
Ductless



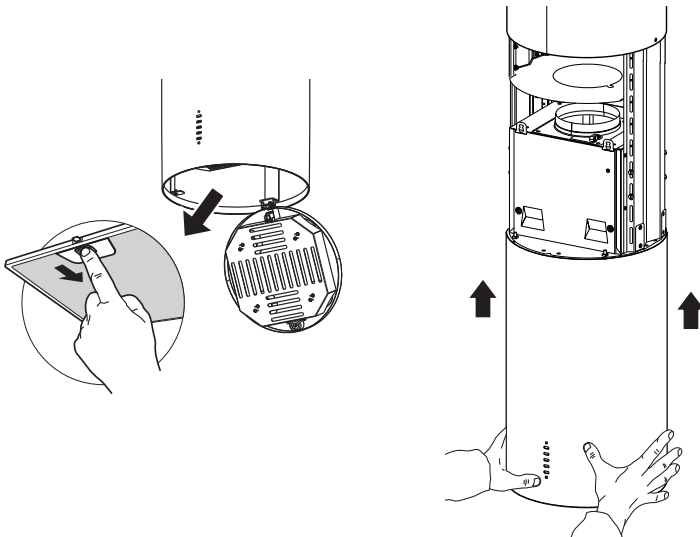
Ducted



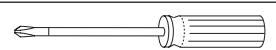
- Place the chimney on the frame and attach it to the upper part of the frame with the same screws removed previously. Make sure to match the ductless holes with the ductless box exit inside the frame if using the ductless application.



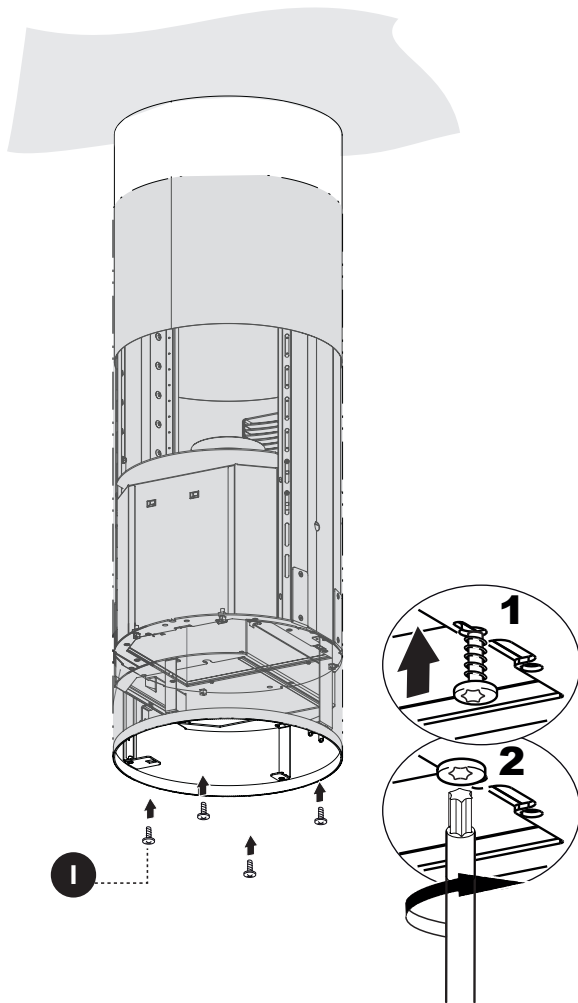
- Remove the grease filters by pushing the handle backwards and put the chimney from the bottom.




Phillips Screwdriver



- Use 4 screws **1** to attach the chimney to the frame on the bottom, do not tighten screws
- Attach the chimney to the frame by inserting the screws **1** into the matching key holes and turn left and tighten screws.



| | | |
|----------|----------------------------|---|
| 1 | Torx Screws (1/4" x 9/16") |  |
|----------|----------------------------|---|

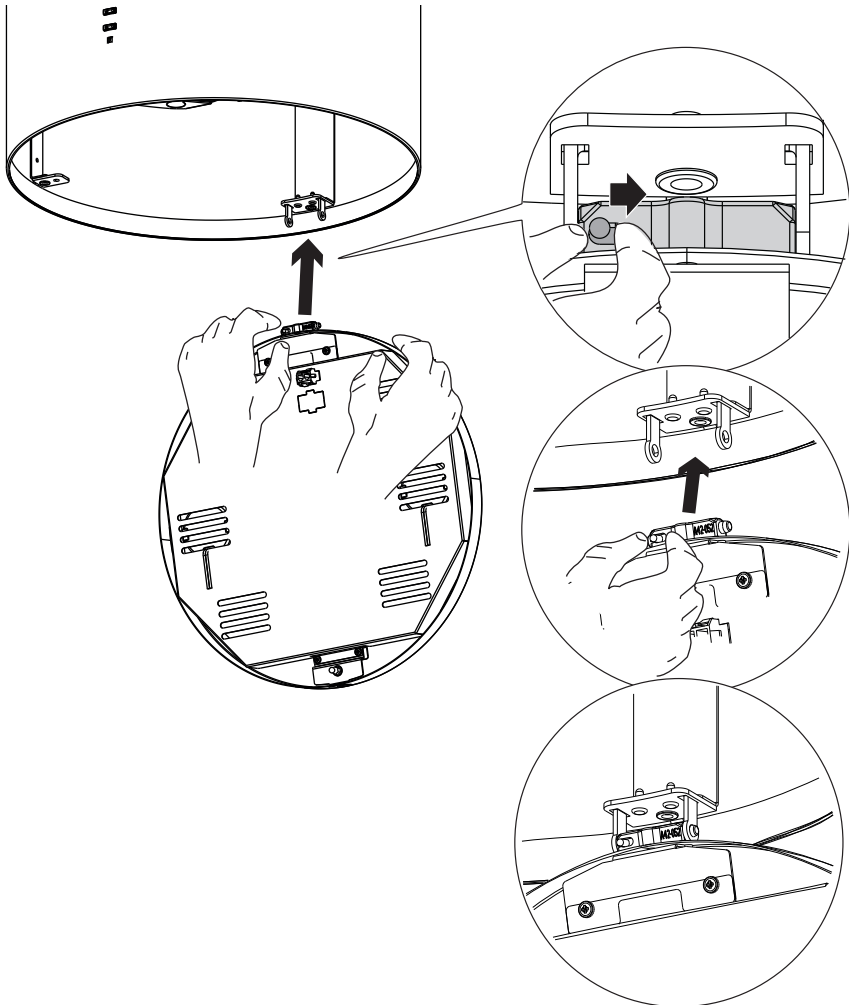
| | |
|------------------|--|
| Torx Screwdriver |  |
|------------------|--|

COMFORT PANEL INSTALLATION

12

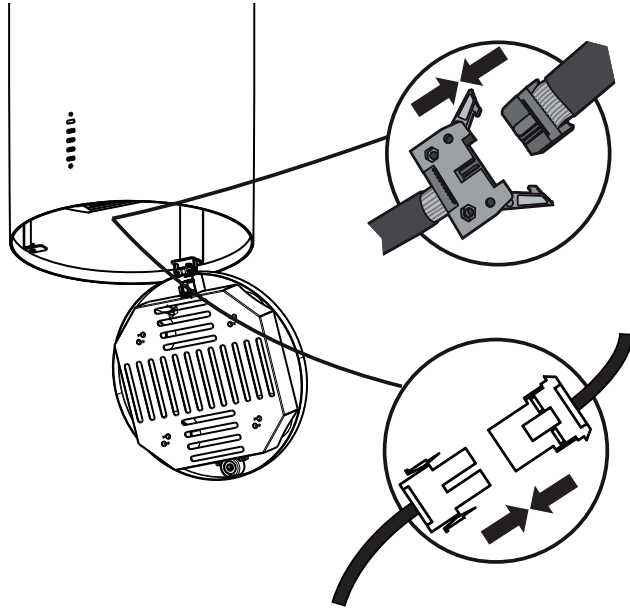
INSTALL THE COMFORT PANEL

1. Install the comfort panel to the bottom of the hood.
2. Slide the fixing pin to install the hinge into place and lock the panel into place by pushing the panel up into the slot.



13**ATTACH THE CONNECTOR**

1. Next connect the control and lighting wires inside the hood above the grease filters.

**Attention:**

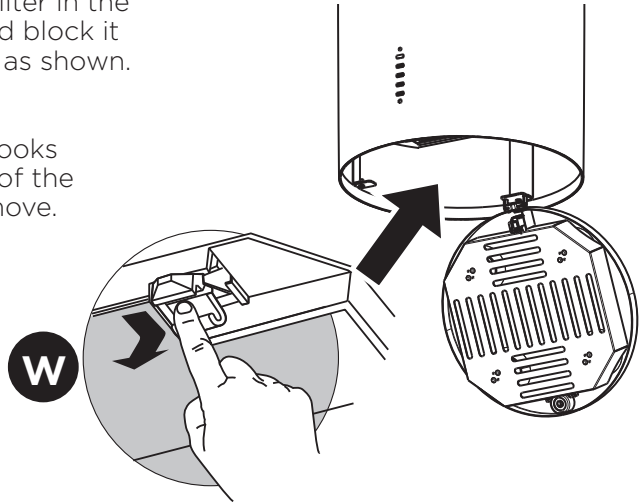
- Turn the power supply on.
- Turn on blower and lights.
- If the range hood does not operate, check that the circuit breaker is not tripped or the house fuse blown.
- If the unit still does not operate, disconnect the power supply and check that the wiring connections have been made properly.

14

ONLY FOR NON-DUCTED RECIRCULATION OPTION

Attach a charcoal filter in the correct position and block it by the Filter hooks as shown.

Unlock the fixing hooks (towards the back of the insert hood) to remove.

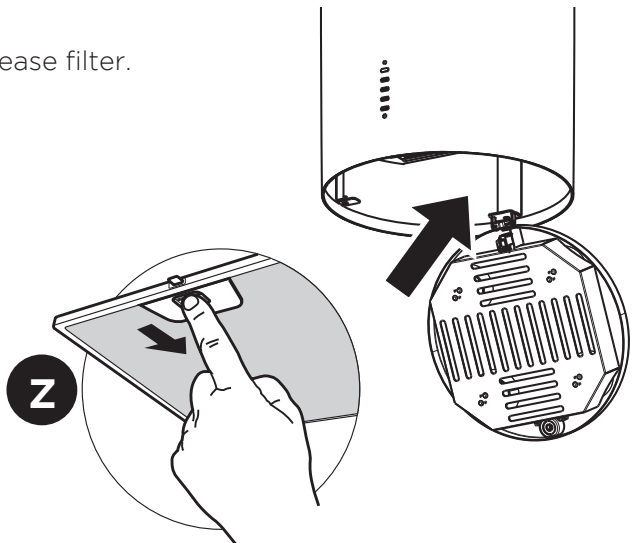


Required Activated
Charcoal Filter Accessory -
sku # - FILTER2 (purchased
separately)



15

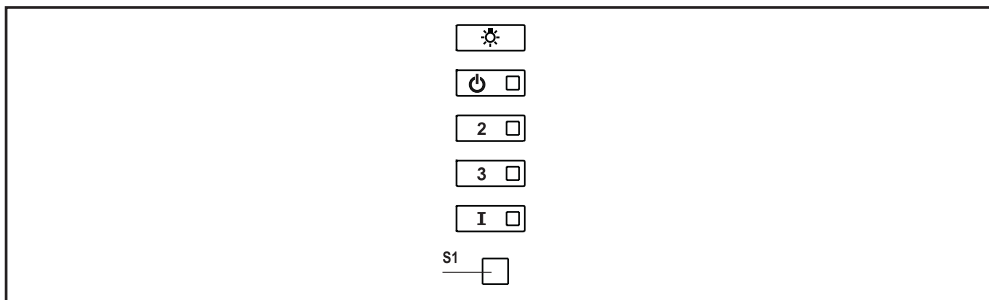
Replace the the grease filter.



OPERATING THE CONTROLS

FOR BEST RESULTS

Start the range hood several minutes before cooking to develop proper airflow. Allow the range hood to operate for several minutes after cooking is complete to clear all smoke and odors from the kitchen.



| Button | Function | Led |
|--------|--|-----------|
| | Turns the lights on/off at maximum strength. | - |
| | Press and hold the button for approximately 2 seconds to turn the Dimmer Lights On/Off. | - |
| | Turns the motor on/off at speed one. | ON |
| | Turns the Motor on at speed two. | ON |
| | Activated Charcoal Filter Alarm - Press and hold the button for approximately 5 seconds, with all the hood turned off (Motor and Lights), to turn the alarm on. The relevant LED flashes twice to confirm. To turn the alarm off, press the button again and hold for at least 5 seconds. The relevant LED flashes once. | |
| | Turns the Motor on at speed three. | ON |
| | Grease Filter Alarm and Charcoal Filter Alarm To reset the alarm: press and hold the button for approximately 3 seconds, with the hood turned off (Motor and Lights), and until the LED S1 flashes three times. | |
| | Turns the Motor on at INTENSIVE Speed. This speed is timed to run for 6 minutes. At the end of this time, the system returns automatically to the speed that was set before. If it is activated with the motor turned off, the hood will switch to OFF at the end of the time. | ON |
| | Signals the Metal Grease Filter saturation alarm, indicating that it is necessary to wash the filters. The alarm is triggered after the Hood has been in operation for 100 working hours. | ON |
| | When this is activated, it signals: The Activated Charcoal Filter saturation alarm, indicating that the filter must be changed; The Metal Grease Filters must also be washed. The Activated Charcoal Filter saturation alarm comes into operation after the Hood has been working for 200 hours. | Flashing. |

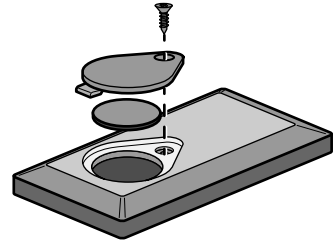
REMOTE CONTROL (OPTIONAL)

Installing the Battery

- The remote control is powered by a CR2032 type 3 V battery (not included).
- Remove the screw and install the battery.
- Check that the battery is installed with the " + " side up.

Caution:

- Do not place the remote control near heat sources.
- Do not discard the batteries with normal waste, they must be put into the specific containers.
- Tighten the battery cover screw tight.



CLEANING STAINLESS STEEL

Cleaning Exterior surfaces:

Please note, abrasives and scouring agents can scratch range hood finishes and should not be used to clean finished surfaces.

Stainless Steel finish cleaning instructions:

Clean exterior surfaces with a commercially available stainless steel cleaner.

CARING FOR FILTERS

CLEANING METAL GREASE FILTERS

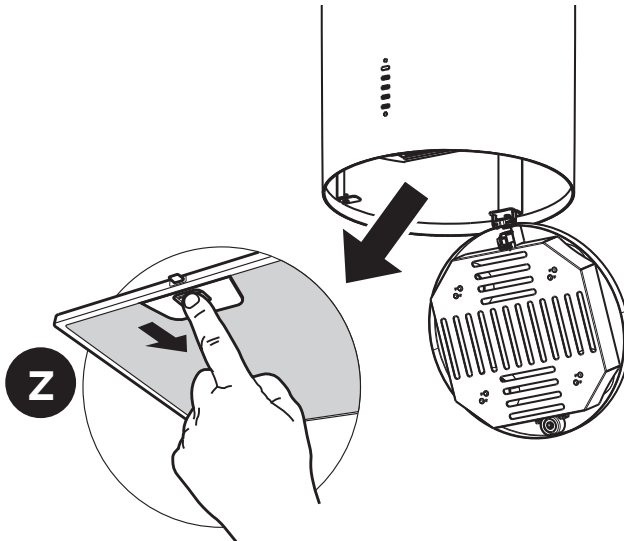
These can be washed in the dishwasher, and need to be cleaned whenever the **S1** Led comes on or at least once every 2 months of use, or more frequently if use is particularly intensive.

Resetting the Grease Filter Alarm

1. Turn the Lights and the Hood off.
2. Press **3** and hold for at least 3 seconds, until LED flashes three times in confirmation.

Cleaning the Filters

1. Open the Panel.
2. Remove the Filters one at a time, pushing them towards the back of the unit and at the same time pulling downward.
3. Wash the Filters without bending them, and leave them to dry completely before replacing. (If the surface of the filter changes color as time goes by, this will have absolutely no effect on the efficiency of the filter itself.)
4. Replace the grease filters, taking care to ensure that the handle faces forward.
5. Completely dry the filters before reinstalling. Otherwise left over grease may heat and drip.
6. Close the Panel.



REPLACING ACTIVATED CHARCOAL FILTER

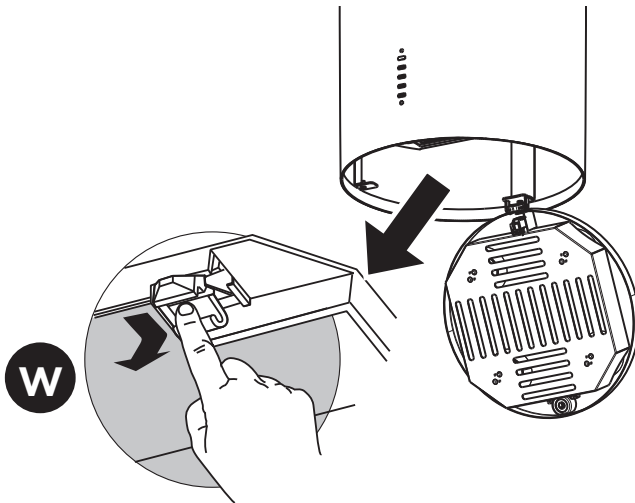
They cannot be washed or regenerated, and must be changed when led **S1** starts to flash, or at least once every 4 months. The Alarm signal, if it has been activated, only appears when the Hood Blower is turned on.

Resetting the Charcoal Filter Alarm

1. Turn the Lights and the Hood off.
2. Press **3** and hold for at least 3 seconds, until LED flashes three times in confirmation.

Cleaning the Filters

1. Open the Panel.
2. Remove the Filters one at a time, pushing them towards the back of the unit and at the same time pulling downward.
3. Remove the saturated charcoal filter by releasing the fixing hooks.
4. Fit the new filter and fasten it in its correct position.
5. Replace, taking care to ensure that the handle faces forwards.
6. "When used in recirculation mode, to Reduce the Risk of Fire and Shock use only conversion kit Model FILTER 2".
7. Close the Panel.



REPLACING BULBS

LED lights must be replaced by Faber factory authorized service.

WARRANTY



FABER CONSUMER WARRANTY & SERVICE

All Faber products are warranted against any defect in materials or workmanship for the original purchaser for a period of 1 year from the date of original purchase (requires proof of purchase). This warranty covers labor and replacement parts. Faber, at its option, may repair or replace the product or components necessary to restore the product to good working condition. To obtain warranty service, contact the dealer from whom you purchased the range hood, or the local Faber distributor. If you cannot identify a local Faber distributor, contact us at (508) 358-5353 for the name of a distributor in your area.

The following is not covered by Faber's warranty:

1. Service calls to correct the installation of your range hood, to instruct you how to use your range hood, to replace or repair house fuses or to correct house wiring or plumbing.
2. Service calls to repair or replace range hood light bulbs, fuses or filters. Those consumable parts are excluded from warranty coverage.
3. Repairs when your range hood is used for other than normal, single-family household use.
4. Damage resulting from accident, alteration, misuse, abuse, fire, flood, acts of God, improper installation, installation not in accordance with electrical or plumbing codes or Faber documentation, or use of products not approved by Faber.
5. Replacement parts or repair labor costs for units operated outside the United States or Canada, including any non-UL or C-UL approved Faber range hoods.
6. Repairs to the hood resulting from unauthorized modifications made to the range hood.
7. Expenses for travel and transportation for product service in remote locations and pickup and delivery charges. Faber range hoods should be serviced in the home.

THIS WARRANTY DOES NOT ALLOW RECOVERY OF INCIDENTAL OR CONSEQUENTIAL DAMAGES, INCLUDING, WITHOUT LIMITATION, DIRECT, INDIRECT, INCIDENTAL, SPECIAL OR CONSEQUENTIAL DAMAGES, PERSONAL INJURY/WRONGFUL DEATH OR LOST PROFITS FABER WARRANTY IS LIMITED TO THE ABOVE CONDITIONS AND TO THE WARRANTY PERIOD SPECIFIED HEREIN AND IS EXCLUSIVE. EXCEPT AS EXPRESSLY SPECIFIED IN THIS AGREEMENT, FABER DISCLAIMS ALL EXPRESS OR IMPLIED CONDITIONS, REPRESENTATIONS, AND WARRANTIES INCLUDING, WITHOUT LIMITATION, ANY IMPLIED WARRANTIES OF MERCHANTABILITY OR FITNESS FOR A PARTICULAR PURPOSE.

This warranty gives you specific legal rights that may vary from state to state.

Model#: _____

Serial #: _____

TABLE DES MATIÈRES

| | |
|---|-----------|
| Importantes consignes de sécurité | 34 |
| Dimensions de la hotte | 38 |
| Hauteur requise pour l'installation | 40 |
| Pièces | 41 |
| Outils requis | 43 |
| Choisir la méthode de ventilation | 44 |
| Préparation de la hotte de plafond | 46 |
| Préparation du châssis de la hotte | 48 |
| Ventilation - avec recyclage sans canalisation | 50 |
| Ventilation - ventilation avec canalisation | 51 |
| Installation du châssis de la hotte | 52 |
| Branchement électrique | 53 |
| Installation du bâti de la hotte | 54 |
| Installation du panneau | 57 |
| Utilisation des commandes | 60 |
| Télécommande (en option) | 61 |
| Nettoyage de l'acier inoxydable | 61 |
| Entretien des filtres | 62 |
| Remplacement des ampoules | 63 |
| Garantie | 64 |

IMPORTANTES CONSIGNES DE SÉCURITÉ

VEUILLEZ LIRE ET CONSERVER LA PRÉSENTE NOTICE AVANT DE COMMENCER L'INSTALLATION DE LA HOTTE DE CUISINE

AVERTISSEMENT: - POUR RÉDUIRE LE RISQUE D'UN FEU DE GRAISSE SUR LA TABLE DE CUISSON:

- a) Ne laissez jamais sans surveillance les éléments de la surface de cuisson à température élevée. Les bouillonnements excessifs peuvent provoquer de la fumée et les débordements de graisse peuvent s'enflammer. L'huile doit être chauffée lentement, à une température basse ou moyenne.
- b) Assurez-vous de toujours mettre en marche la hotte lorsque vous cuisinez à température élevée ou préparez un mets flambé (p.ex. crêpes Suzette, cerises jubilé, bœuf flambé).
- c) Nettoyez régulièrement les ventilateurs d'aspiration. Assurez-vous de ne pas laisser de la graisse s'accumuler sur le ventilateur ou le filtre.
- d) Utilisez toujours des poêles et casseroles de la taille appropriée. Utilisez toujours des ustensiles de cuisine de la taille adaptée à celle de l'élément chauffant.

AVERTISSEMENT: - POUR PRÉVENIR LES BLESSURES EN CAS DE FEU DE GRAISSE SUR LA TABLE DE CUISSON, SUIVEZ LES RECOMMANDATIONS SUIVANTES*:

- a) **ÉTOUFFEZ LES FLAMMES** à l'aide d'un couvercle hermétique, d'une plaque à biscuits ou d'un plateau métallique, puis éteignez le brûleur. **FAITES ATTENTION AUX BRÛLURES.** Si le feu ne s'éteint pas immédiatement, **QUITTEZ LES LIEUX ET APPELEZ LES POMPIERS.**
- b) **NE PRENEZ JAMAIS UNE CASSEROLE EN FLAMME** - Vous pourriez vous brûler.
- c) **N'UTILISEZ JAMAIS DE L'EAU**, ni un linge à vaisselle ou un torchon mouillé, pour éteindre le feu. Cela pourrait provoquer une violente explosion de vapeur.
- d) Utilisez un extincteur **UNIQUEMENT** si:
 1. Vous êtes certain qu'il s'agit d'un extincteur de classe ABC et que vous connaissez bien son mode d'emploi.
 2. Le feu est de faible intensité et se limite à l'endroit où il a démarré.
 3. Les pompiers ont déjà été appelés.
 4. Une voie de sortie se trouve derrière vous pendant que vous éteignez les flammes.

* D'après le guide «Kitchen Firesafety Tips» publié par la NFPA aux États-Unis

AVERTISSEMENT - POUR RÉDUIRE LE RISQUE D'INCENDIE OU DE CHOC ÉLECTRIQUE, n'utilisez jamais ce ventilateur en association avec un dispositif de réglage de vitesse à semi-conducteurs.

AVERTISSEMENT - POUR RÉDUIRE LES RISQUES D'INCENDIE, DE CHOC ÉLECTRIQUE OU DE BLESSURE CORPORELLE, RESPECTEZ LES INSTRUCTIONS SUIVANTES:

1. Utilisez cet appareil uniquement de la façon prévue par le fabricant. Pour toute question, communiquez avec le fabricant.
2. Avant de procéder à l'entretien ou au nettoyage de l'appareil, coupez l'alimentation au niveau du panneau électrique et verrouillez-le pour vous assurer que l'électricité n'est pas rétablie accidentellement. S'il n'est pas possible de verrouiller le dispositif d'interruption de l'alimentation, affichez de façon ferme et bien visible un avis de danger, par exemple à l'aide d'une étiquette sur le panneau.

ATTENTION : Destiné à un usage de ventilation générale uniquement. N'utilisez pas ce dispositif pour l'aspiration de vapeurs ou de matériaux dangereux ou explosifs.

AVERTISSEMENT - POUR RÉDUIRE LES RISQUES D'INCENDIE, DE CHOC ÉLECTRIQUE OU DE BLESSURE CORPORELLE, RESPECTEZ LES INSTRUCTIONS SUIVANTES :

1. L'installation et le branchement électrique doivent être réalisés par un technicien qualifié

1. **et conformément à tous les codes et normes en vigueur, incluant ceux concernant la construction à l'épreuve du feu.**
2. **Afin de garantir une combustion et une évacuation adéquates des gaz par les conduites de la cheminée des appareils à combustion, une bonne aération est nécessaire pour éviter le refoulement. Respectez les lignes directrices fournies par le fabricant du matériel chauffant, ainsi que les normes de sécurité comme celles publiées par la National Fire Protection Association (NFPA) et la American Society for Heating, Refrigeration and Air Conditioning Engineers (ASHRAE) aux États-Unis, ainsi que les codes en vigueur dans votre région.**
3. **Lorsque vous faites une ouverture ou percez dans un mur ou le plafond, veillez à ne pas endommager les fils électriques ou d'autres dispositifs cachés.**
4. **Les ventilateurs canalisés doivent toujours être raccordés à l'extérieur.**

TOUTE OUVERTURE DANS LE MUR OU LE PLANCHER À PROXIMITÉ DE LA HOTTE DOIT ÊTRE SCÉLLÉE.

Un espace libre d'au moins 24" est requis entre le bas de la hotte et la surface de cuisson ou le comptoir. Cette hotte a été homologuée par l'UL à cette distance de la surface de cuisson. L'espace libre minimal requis peut-être plus grand, selon la réglementation en matière de construction de votre région. Pour les cuisinières à gaz et les cuisinières combinées, un espace minimal de 30" est recommandé et pourrait être exigé.

Les armoires suspendues de chaque côté de l'appareil doivent se trouver à au moins 18" de la surface de cuisson ou du comptoir. Consultez la notice d'installation de la surface de cuisson ou de la cuisinière fournie par le fabricant avant de pratiquer des ouvertures.

INSTALLATION DANS UNE MAISON MOBILE L'installation de cette hotte doit être conforme à la Partie 3280 de la norme Manufactured Home Construction and Safety Standards, Title 24 CFR (précédemment la partie 280 de la norme Federal Standard for Mobile Home Construction and Safety, Title 24, HUD). Consultez la fiche technique électrique"

CRITÈRES DE VENTILATION

Déterminez quelle méthode de ventilation est mieux adaptée à votre application. Les conduits peuvent passer par le mur ou le toit.

Pour garantir une meilleure efficacité, la longueur des conduits et le nombre de coudes doivent être le plus limités que possible. Le diamètre des conduits devrait être uniforme. N'installez pas deux coudes ensemble. Utilisez un ruban pour canalisations afin de sceller tous les joints du système de conduits. Utilisez un calfeutrage pour sceller les ouvertures dans le mur extérieur ou le plancher, autour du clapet.

Il n'est pas recommandé d'utiliser des conduits flexibles. Les conduits flexibles provoquent une contre-pression et de la turbulence qui diminuent grandement l'efficacité de l'appareil.

Assurez-vous que l'espace libre dans le mur ou le plancher est suffisant pour le conduit d'évacuation avant de pratiquer les ouvertures. Ne coupez jamais une poutre ou un chevron, sauf si c'est absolument nécessaire. S'il s'avère nécessaire de couper une poutre ou un chevron, la construction d'un renforcement est requise.

AVERTISSEMENT - Pour réduire le risque d'incendie, utilisez uniquement des conduits métalliques.

ATTENTION - Pour réduire le risque d'incendie et pour évacuer adéquatement l'air, assurez-vous de raccorder les conduits à l'extérieur - Ne diffusez pas l'air d'évacuation dans des espaces à l'intérieur des murs ou du plafond, ou encore à l'intérieur d'un grenier, d'une galerie technique ou d'un garage.

Installation dans les climats froids

Le système de ventilation doit prévoir un registre antirefoulement supplémentaire pour réduire le flux d'air froid inverse, ainsi qu'une barrière thermique non métallique pour réduire la conduction des températures extérieures. Le registre doit être installé du côté air froid par rapport à la barrière thermique. La barrière thermique doit être positionnée le plus près que possible de l'endroit où le système de ventilation pénètre dans la partie chauffée de la maison.



AVERTISSEMENT

- Le système de ventilation **DOIT** déboucher à l'extérieur.
- **NE FAITES PAS** déboucher les conduits dans un grenier ou un autre endroit fermé.
- **N'UTILISEZ PAS** un clapet de sècheuse mural de 4".
- Il n'est pas recommandé d'utiliser des conduits flexibles.
- **N'ENTRAVEZ PAS** le flux de l'air de combustion et de ventilation.
- Le non-respect des exigences en matière de ventilation pourrait entraîner un incendie.

FICHE TECHNIQUE ÉLECTRIQUE

Une alimentation de courant alternatif de 120 volts à 60 Hz est requise sur un circuit à fusible distinct de 15 ampères. Il est recommandé d'installer un fusible temporisé ou un disjoncteur. Le fusible doit être calibré conformément aux codes en vigueur pour les caractéristiques nominales électriques de l'appareil, indiquées sur la plaque signalétique située à l'intérieur de l'appareil, à proximité du compartiment des câblages externes.

INSTALLATION ÉLECTRIQUE AVEC BOÎTIER DE CONNEXION

CET APPAREIL DOIT ÊTRE UNIQUEMENT BRANCHÉ À L'AIDE DE FILS DE CUIVRE. Le calibre des fils doit être conforme aux critères de la dernière édition du National Electrical Code, de l'ANSI/NFPA 70 et de l'ensemble des codes et réglementations en vigueur. Le calibre des fils et les connexions doivent être adaptés aux caractéristiques nominales de l'appareil. Il est possible de se procurer un exemplaire des normes indiquées ci-dessus en communiquant avec:

National Fire Protection Association
Batterymarch Park
Quincy, Massachusetts 02269 (États-Unis)

Cet appareil devrait être branché directement au sectionneur à fusible (ou au disjoncteur) par un câble flexible de cuivre avec blindage ou gaine non métallique. Laissez un peu de jeu dans le câble pour permettre le déplacement de l'appareil si des travaux d'entretien s'avéraient nécessaires. Un raccord de conduit homologué par l'UL de 1/2" doit être installé aux deux extrémités du câble d'alimentation (au niveau de l'appareil et de la boîte de liaison).

Lors de la réalisation du branchement électrique, réalisez un trou de 1 1/4" dans le mur. S'il s'agit d'un trou dans le bois, il doit être poncé pour le rendre lisse. S'il s'agit d'un trou dans le métal, un passe-fils est requis.



AVERTISSEMENT

- Une mise à la terre électrique est requise pour cette hotte.
- N'UTILISEZ PAS un tuyau d'eau froide pour la mise à la terre si celui-ci est branché par des joints en plastique, par des rondelles non métalliques ou d'autres matériaux.
- N'UTILISEZ PAS une conduite de gaz pour la mise à la terre.
- N'INSTALLEZ PAS un fusible sur le circuit neutre ou le circuit de mise à la terre. La présence d'un fusible dans le circuit neutre ou de mise à la terre peut entraîner un choc électrique.
- Consultez un électricien qualifié si vous n'êtes pas certain de la mise à la terre de la hotte.
- Le non-respect des exigences de la fiche technique électrique pourrait entraîner un incendie.

Avertissement relatif à la proposition 65 de l'État de Californie (États-Unis uniquement)

⚠ AVERTISSEMENT

Ce produit contient des éléments chimiques que l'État de Californie considère comme étant cancérigènes ou causant des malformations congénitales ou d'autres troubles de la reproduction.

Pour de plus amples renseignements, consultez le site www.P65Warnings.ca.gov

DIMENSIONS DE LA HOTTE



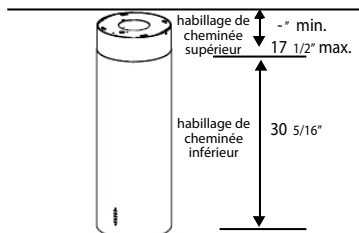
AVERTISSEMENT

RISQUE DE BLESSURE CORPORELLE

Compte tenu du poids et de la dimension du cadre de la hotte, deux personnes ou plus sont requises pour le transporter et l'installer en toute sécurité.

Si la hotte n'est pas soulevée de manière adéquate, cela pourrait entraîner des blessures, ou encore le produit pourrait être endommagé.

AVEC CANALISATION



La distance recommandée entre la surface de cuisson et la hotte est de 24" à 30". Il n'est pas recommandé d'utiliser cette hotte en cas de cuisine de type professionnel au gaz.



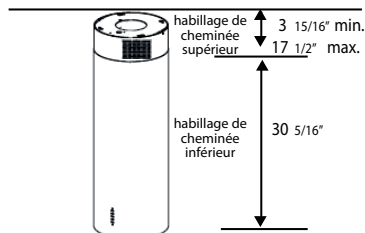
| hauteur de plafond min. / max. | |
|--------------------------------|----------------------|
| canalisée | sans canalisation |
| $x = 24'' - 30''$ | $x = 24'' - 30''$ |
| min. 7' 6 5/16" | min. 7' 10 1/4" |
| max. 8' 11 13/16" | max. 8' 11 13/16" |

$X = \text{Min. } 24''$



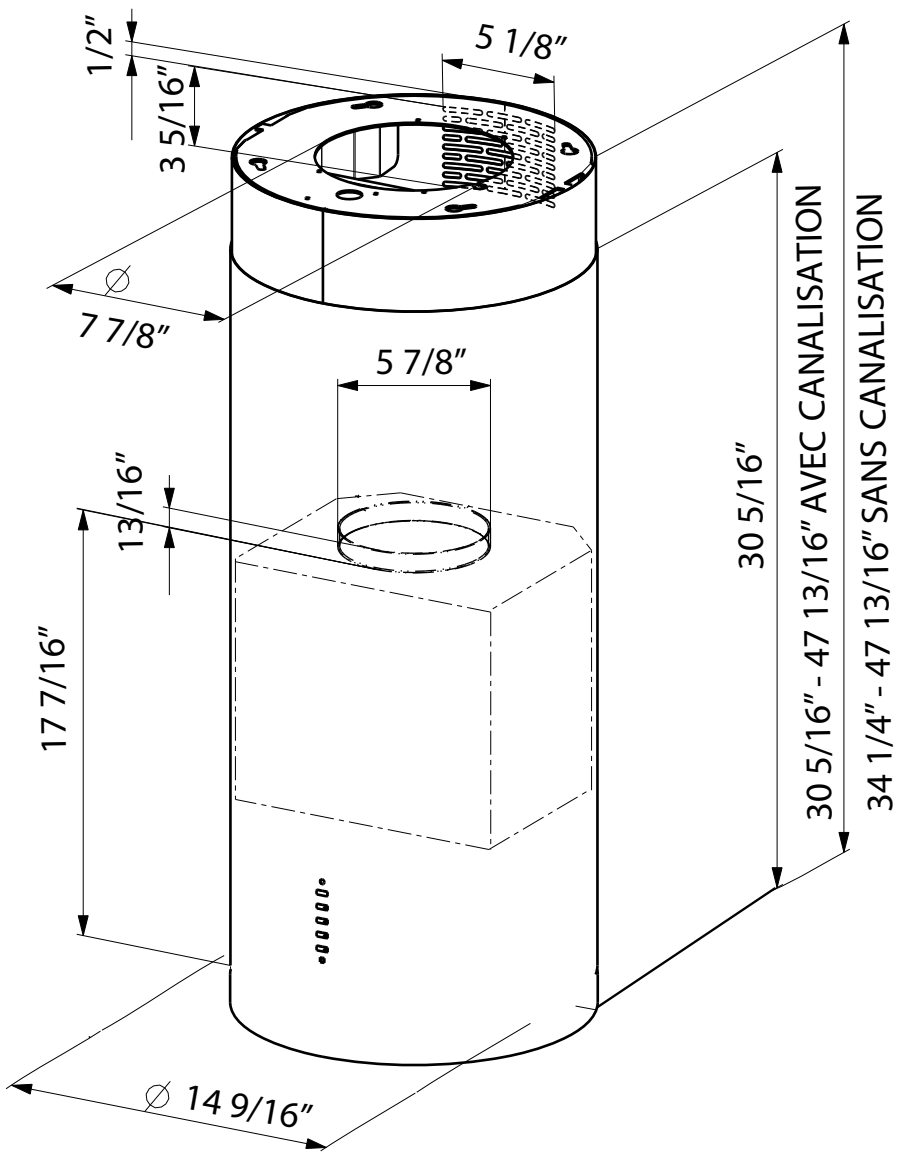
$X = \text{Min. } 30''$

SANS CANALISATION



La distance recommandée entre la surface de cuisson et la hotte est de 24" à 30". Il n'est pas recommandé d'utiliser cette hotte en cas de cuisine de type professionnel au gaz.

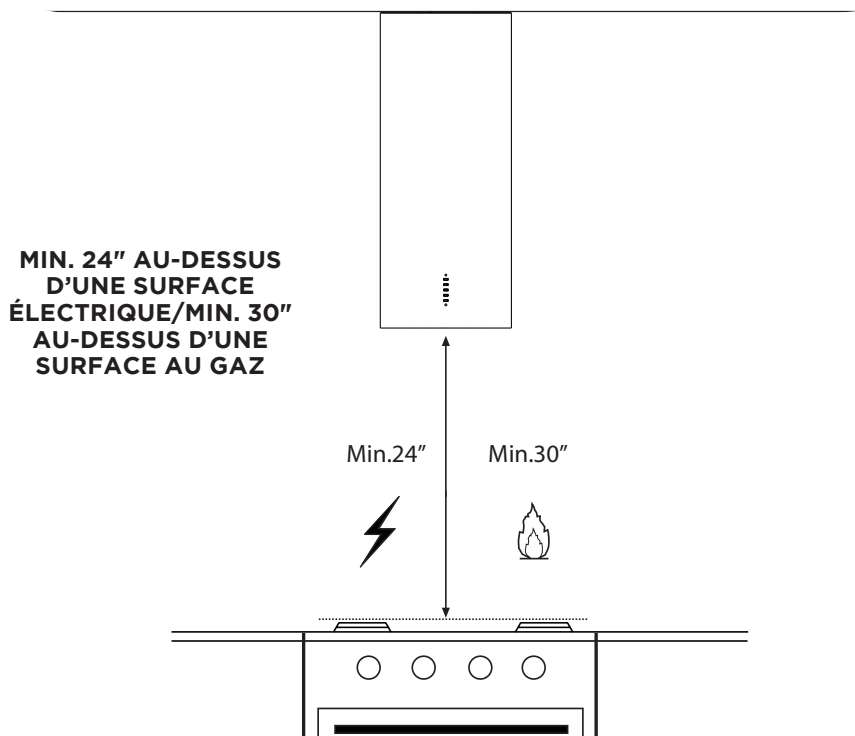




30 5/16"
 34 1/4" - 47 13/16" AVEC CANALISATION
 34 1/4" - 47 13/16" SANS CANALISATION

HAUTEUR REQUISE POUR L'INSTALLATION

Un point d'accès à la hotte doit être créé dans le plafond ou le parement pour l'installation et en vue d'accéder plus tard à la hotte.



PRÉPARATION DE L'INSTALLATION DE LA CHEMINÉE

La hotte est fixée au plafond à l'aide d'une structure de soutien métallique (B à la page 9). Ce socle doit être fixé au plafond avant l'installation de la hotte. Cette structure doit être fermement ancrée au plafond.



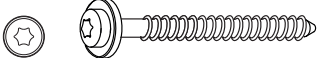



POUR LES PLAFONDS EN BOIS: Utilisez 4 vis à bois d'une longueur de 4" et des rondelles.

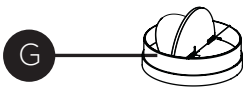
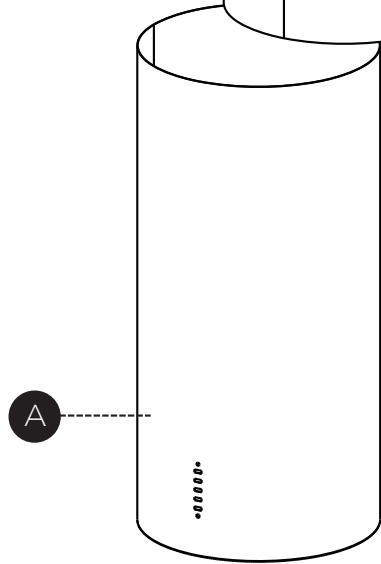
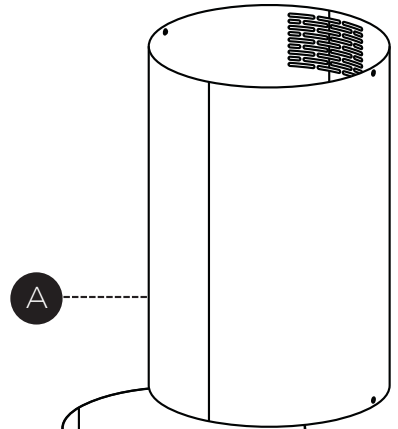
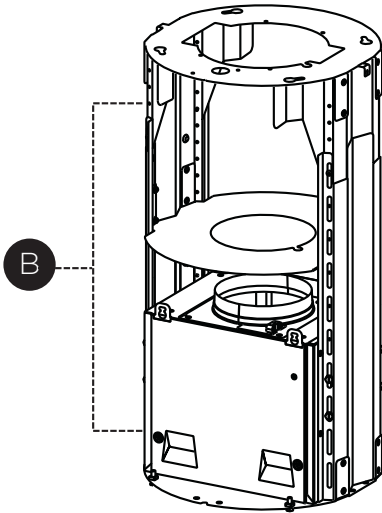
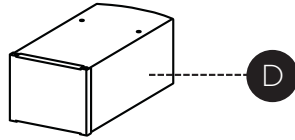
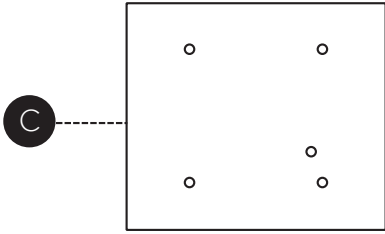
POUR LES PLAFONDS EN PLÂTRE OU PLAQUE DE PLÂTRE:

Si possible, le socle doit être ancré aux poutres. Autrement, une structure de soutien doit être construite derrière la plaque de plâtre.

PIÈCES






PIÈCES INCLUSES

| RÉF. | PIÈCE | QTÉ |
|------|---|-----|
| A | Bâti de la hotte | 1 |
| B | Châssis télescopique avec ventilateur d'aspiration | 1 |
| C | Gabarit de montage | 1 |
| D | Raccord de sortie d'air sans canalisation | 1 |
| E | Flasque \varnothing 4 3/4" | 1 |
| F | Flasque réducteur \varnothing 5 7/8" - 4 3/4" | 1 |
| G | Registre | 1 |
| | | |
| RÉF. | PIÈCE | QTÉ |
| H | Vis à tête Pozidriv (1/8" x 1/4")  | 4 |
| I | Vis à tête étoile (1/4" x 9/16")  | 4 |
| L | Vis à tête étoile (1/4" x 2 3/4")  | 4 |
| M | Écrous  | 4 |
| N | Rondelles  | 4 |
| O | Vis à tête étoile (1/4" x 3 1/8")  | 4 |



PIÈCES (suite)










PIÈCES REQUISES

| PIÈCE | |
|--|---|
| Colliers de serrage |  |
| Tuyau 4 3/4" - AVEC RECYCLAGE SANS CANALISATION |  |
| Tuyau 5 7/8" - AVEC VENTILATION CANALISÉE |  |
| Connecteurs de fils. |  |
| Cheilles pour cloison sèche ou autre système de fixation mural, en fonction de votre installation. |  |

ACCESSOIRES DISPONIBLES

| ACCESSOIRE | NO D'ARTICLE |
|------------------------------------|--------------|
| Filtre à charbon actif de rechange | #FILTER2 |
| Télécommande sans fil | #REMCTRL2 |
| Réducteur de débit | CFMRED2 |

OUTILS REQUIS

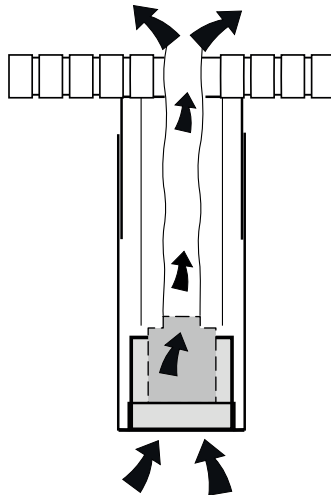
| OUTILS | |
|---|--|
| Ruban à mesurer |  |
| Crayon |  |
| Perceuse électrique avec mèche de 5/16" |  |
| Tournevis cruciforme |  |
| Tournevis étoile |  |
| Tournevis Pozidriv |  |
| Tournevis à lame plate |  |
| Cisailles à métaux |  |
| Gants de sécurité |  |
| Ruban métallique |  |

CHOISIR LA MÉTHODE DE VENTILATION

1

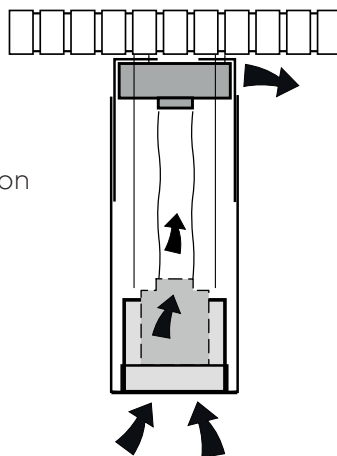
CHOISIR LA MÉTHODE DE VENTILATION

A) Installation avec ventilation canalisée



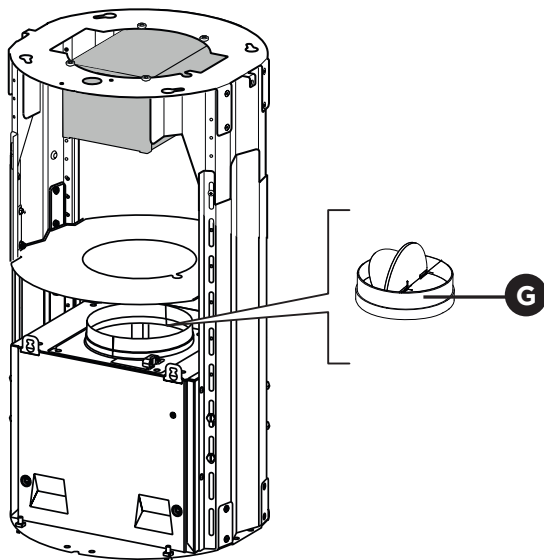
B) Avec recyclage sans canalisation

Exige l'achat de l'accessoire à charbon actif.



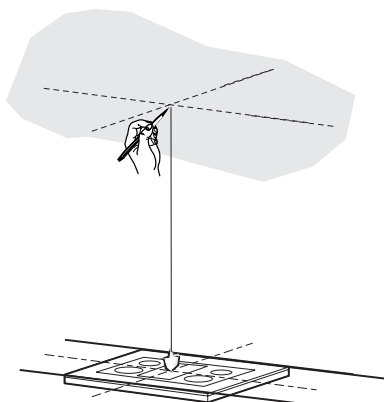
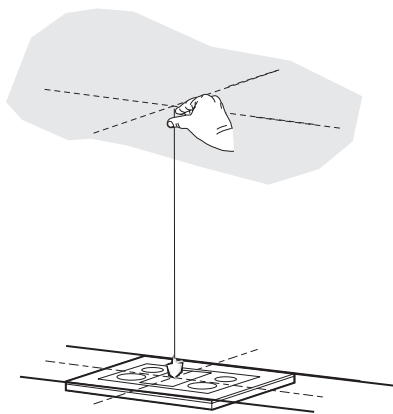
INSTALLATION AVEC VENTILATION CANALISÉE UNIQUEMENT:

Installez **G** le registre circulaire.



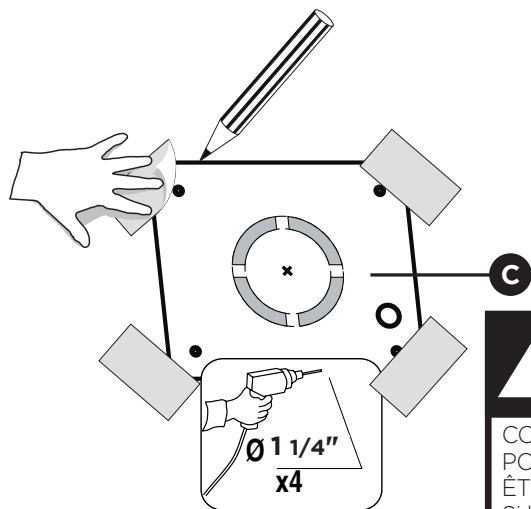
2

- Débranchez la cuisinière et éloignez-la du comptoir pour faciliter l'accès à plafond. Placez une protection épaisse sur la surface de cuisson, la cuisinière encastrée ou le comptoir pour éviter qu'ils soient endommagés ou salis.
- Utilisez un fil à plomb pour marquer le centre de la cuisinière au plafond/parement.



PRÉPARATION DE LA HOTTE DE PLAFOND

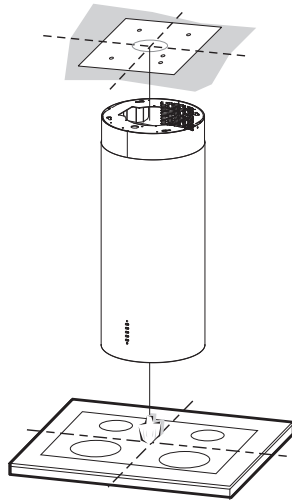
- 3
- Utilisez le gabarit de montage au plafond pour déterminer la position des vis de montage sur le plafond.
 - Tracez des repères au centre des trous indiqués sur le gabarit de montage au plafond.



AVERTISSEMENT

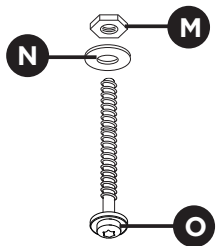
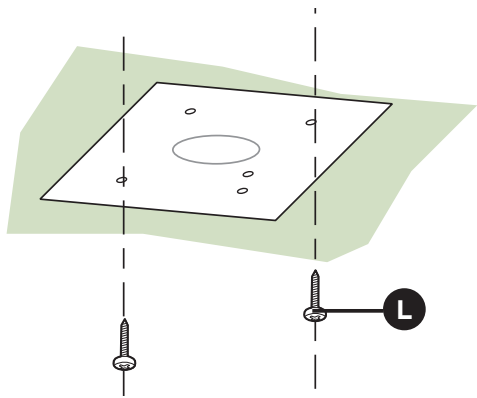
COMPTE TENU DE LA DIMENSION ET DU POIDS DE CETTE HOTTE, LE SOCLE DOIT ÊTRE SOLIDEMENT ANCRÉ AU PLAFOND. Si le plafond est en plâtre ou en plaque de plâtre, le socle doit être ancré aux poutres. Si cela n'est pas possible, une structure de soutien doit être construite derrière le plâtre ou la plaque de plâtre. Le fabricant ne peut être tenu responsable en cas de blessures ou de dommages provoqués par une mauvaise installation.

- Déterminez les ouvertures nécessaires pour les conduits et pratiquez-les. L'ouverture pour la canalisation est représentée sur le gabarit de montage. Installez les conduits avant de monter la hotte.
- Déterminez l'emplacement adéquat pour le câble d'alimentation, comme indiqué sur le gabarit. Utilisez une mèche de 1 1/4" pour percer ce trou. Faites passer le câble d'alimentation. Utilisez un calfeutrage pour sceller autour du trou.
- Une pièce à défoncer pour le passage de l'alimentation électrique du plafond est située au sommet du châssis. Ne branchez pas le câble d'alimentation au boîtier de connexion et n'alimentez pas la hotte à ce moment. Acheminez une longueur de câble électrique du plafond suffisante pour atteindre le boîtier de connexion.



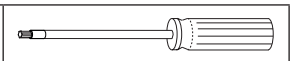
4

- Prenez ensuite les vis à bois **L** ou encore les écrous **M** avec rondelles **N** et vis **O**, selon votre installation, et installez-les dans les trous d'implantation, en laissant libre 1/4" de la tête des vis.
- Pour cette étape, il est possible d'utiliser uniquement 2 vis (comme illustré).
- Pour les plafonds en béton, utilisez les chevilles appropriées en fonction de la dimension des vis (non fournies).



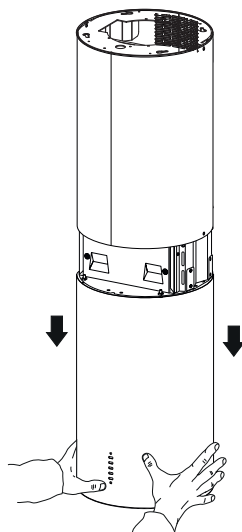
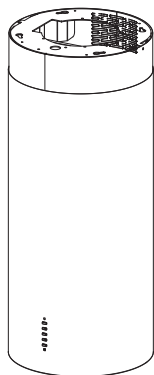
| | | |
|-----------------|--|--|
| <p>L</p> | <p>Vis à tête étoile (1/4" x 2 3/4")</p> | |
|-----------------|--|--|

Tournevis étoile

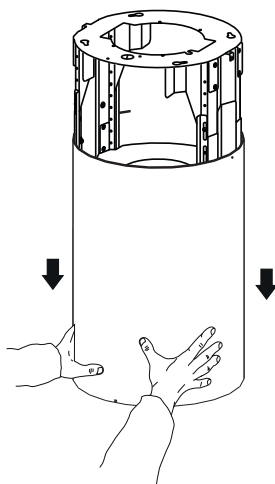
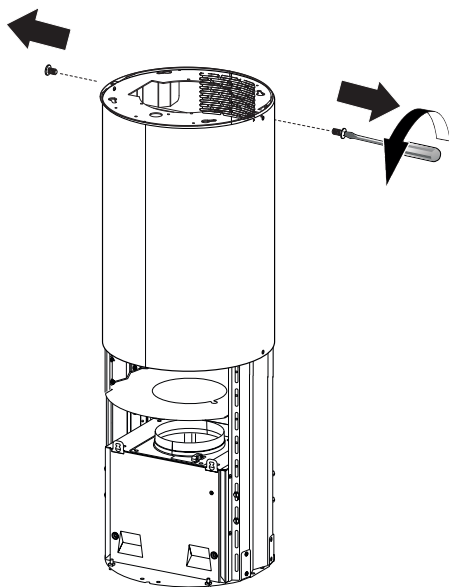


PRÉPARATION DU CHÂSSIS DE LA HOTTE

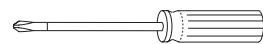
- 5 Enlevez la section inférieure de la cheminée du châssis inférieur.



- 6 Desserrez les deux vis qui fixent la section inférieure de la cheminée et détachez-la du châssis inférieur.



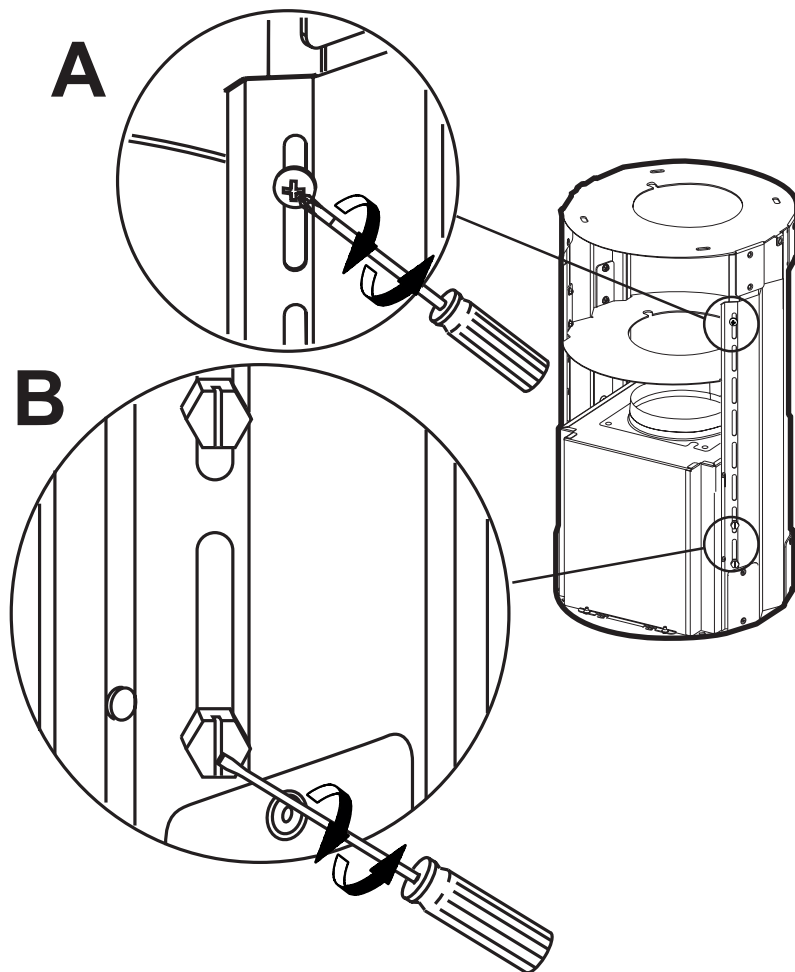
Tournevis cruciforme



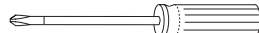
7

Si vous devez régler la hauteur du châssis, procédez comme suit:

- Détachez les vis qui unissent les deux colonnes, situées sur les côtés du châssis.
- Réglez le châssis à la hauteur requise, puis remplacez toutes les vis enlevées à l'étape précédente; serrez-les.



Tournevis cruciforme



Tournevis à lame plate

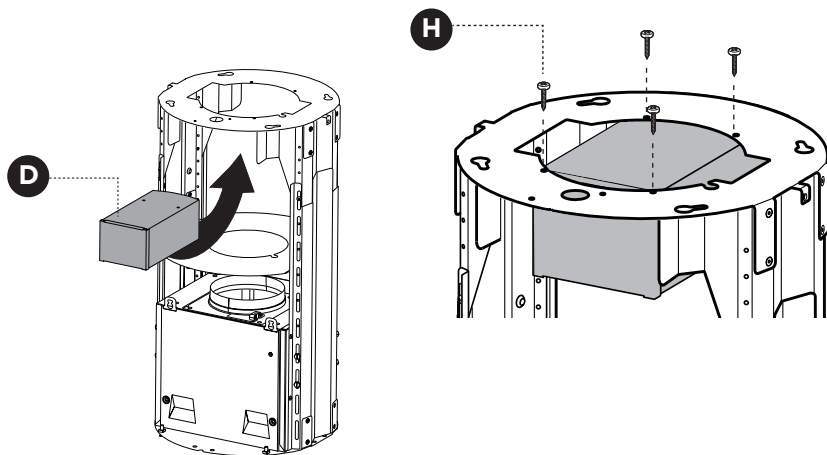


VENTILATION - AVEC RECYCLAGE SANS CANALISATION

8a

INSTALLATION DU DÉFLECTEUR DE RECYCLAGE

- Fixez le raccord de sortie d'air sans canalisation **D** à la section supérieure du châssis à l'aide de 4 vis **H**.



H

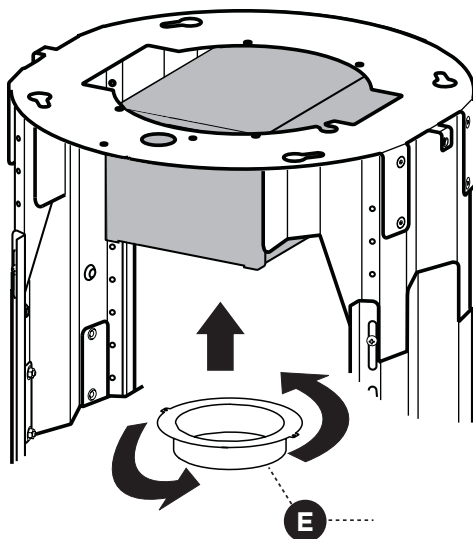
Vis à tête Pozidriv (1/8" x 1/4")



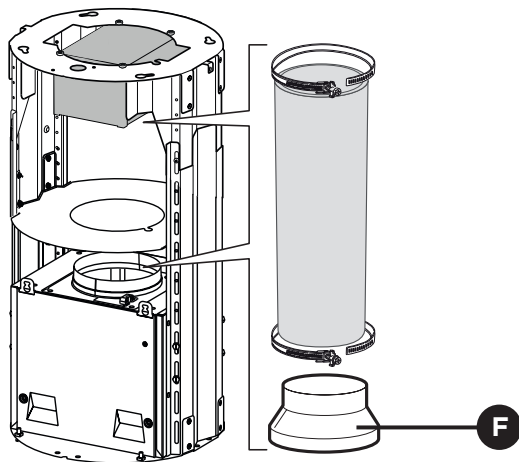
Tournevis Pozidriv



- Posez le flasque **E** sur la partie inférieure de la pièce de sortie sans canalisation.



- Posez le flasque réducteur **F** sur la sortie de l'air.
- Installez les canalisations (achetées séparément) pour raccorder le flasque du haut et le flasque du bas.
- Fixez le tuyau à l'aide des colliers (non inclus).

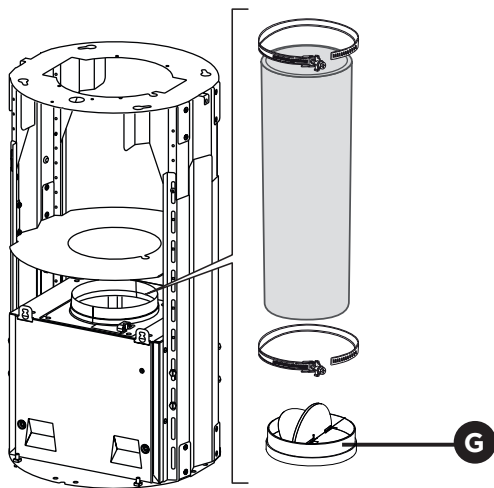


VENTILATION - VENTILATION AVEC CANALISATION

8b

INSTALLATION DE LA VENTILATION AVEC CANALISATION:

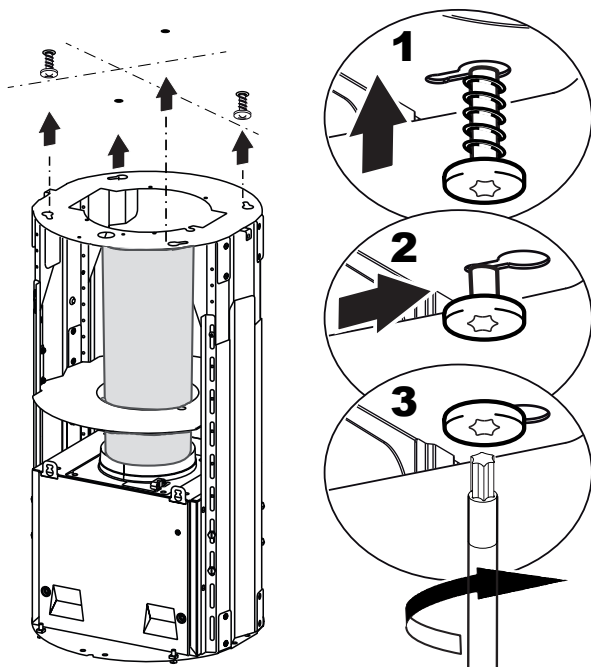
- Installez le registre **G** et raccordez la canalisation à la hotte, puis scellez tous les joints.
- Fixez le tuyau à l'aide des colliers (non inclus).



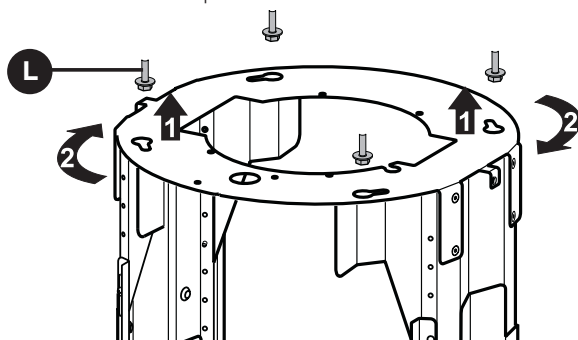
INSTALLATION DU CHÂSSIS DE LA HOTTE

9

- Soulevez le châssis jusqu'au plafond, en insérant les deux vis du plafond dans les fentes du châssis.
- Tournez le châssis pour atteindre le centre des trous en forme de poire.



- Serrez les vis, puis posez deux autres vis **L** ou écrous **M** avec rondelles **N** et vis **O**, selon votre type d'installation, dans les autres trous, en vous assurant que les vis sont bien ancrées dans les trous en forme de poire.

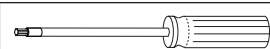


L

Vis à tête étoile (1/4" x 2 3/4")



Tournevis étoile

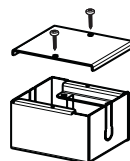


BRANCHEMENT ÉLECTRIQUE

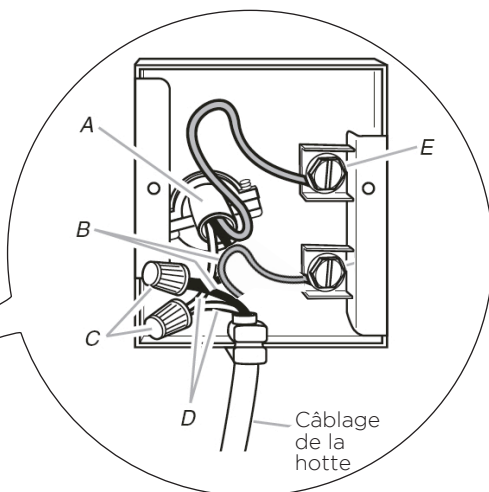
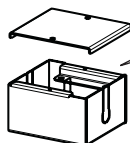
- Avant de passer aux étapes suivantes, assurez-vous que la hotte est adéquatement fixée au plafond.
- Le montage du châssis doit être assez solide pour supporter le poids de la hotte et tout stress causé par une pression latérale occasionnelle que pourrait subir l'appareil. Lorsque vous avez terminé, vérifiez si la base est stable et si elle restera stable même si une pression latérale est appliquée sur la hotte
- Dans tous les cas où le plafond n'est pas assez fort au point de suspension, l'installateur doit veiller à le renforcer à l'aide de plaques et de pièces de renfort ancrées à des pièces structurelles solides.

10

1. Retirez le couvercle du compartiment des câblages externes à l'aide d'un tournevis cruciforme.



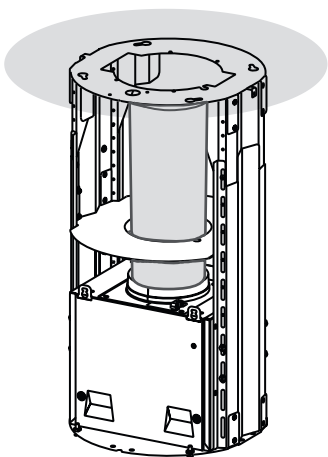
2. Faites passer le câble d'alimentation dans l'entrée électrique défoncée.
3. Branchez le câble d'alimentation à la hotte.
4. Branchez le fil blanc de l'alimentation (**A**) au fil blanc de la hotte (**D**) à l'aide d'un connecteur verrouillé par rotation.
5. Branchez le fil noir de l'alimentation au fil noir de la hotte (**B**) à l'aide d'un connecteur verrouillé par rotation (**C**).
6. Branchez le fil vert (**E**) (vert et jaune) de mise à la terre sous la vis verte de mise à la terre.
7. Remettez en place le couvercle du compartiment des câblages externes.



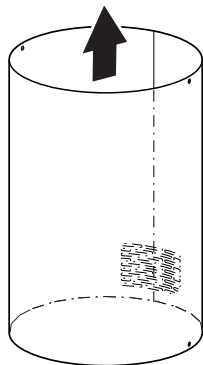
INSTALLATION DU BÂTI DE LA HOTTE

11

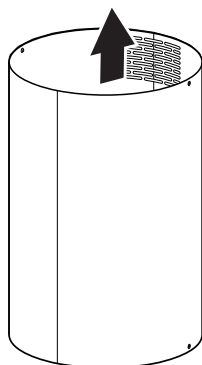
- Pour les installations **sans canalisation** , les orifices de ventilation de la cheminée supérieure en acier inoxydable doivent être orientés vers le haut.
- Pour les installations **avec canalisation** , les orifices de ventilation doivent être orientés vers le bas.



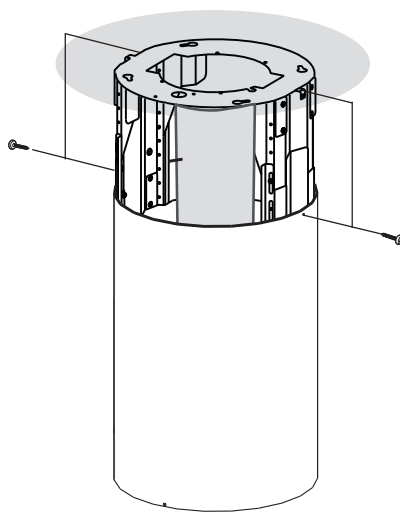
Sans canalisation



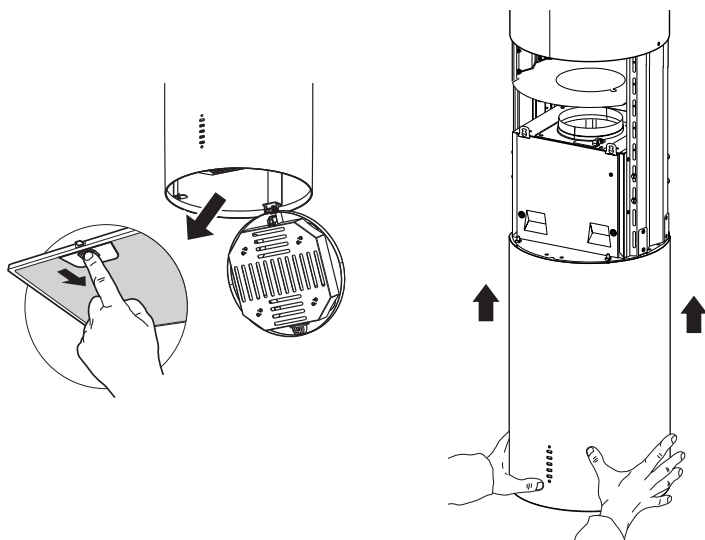
Avec canalisation



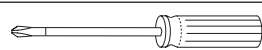
- Posez la cheminée sur le châssis et fixez-la à la partie supérieure du châssis en utilisant les vis enlevées précédemment. Assurez-vous d'aligner les trous à la sortie du boîtier sans canalisation à l'intérieur du châssis, si vous utilisez l'application sans canalisation.



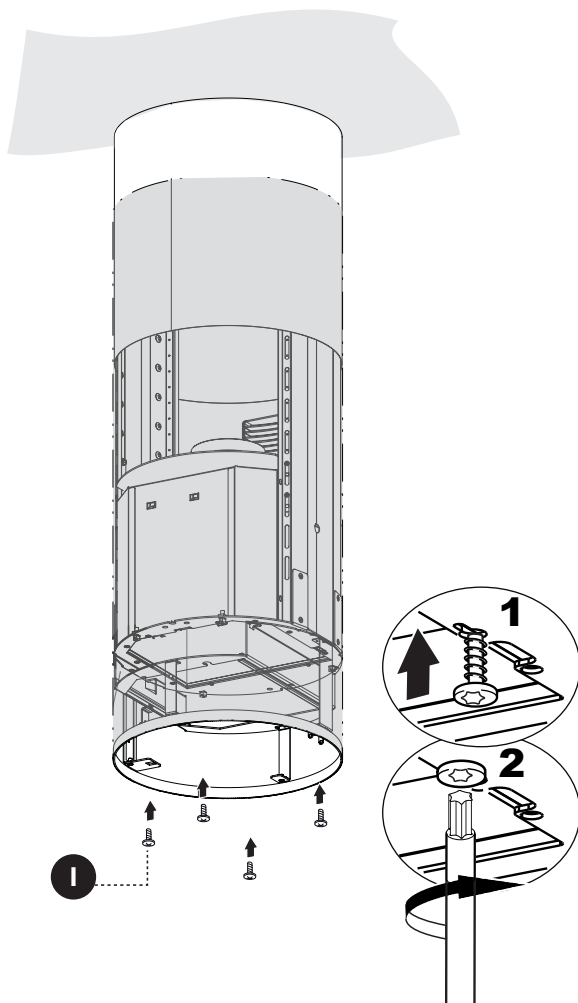
- Enlevez les filtres à graisse en poussant sur la poignée vers l'arrière et en tirant la cheminée vers le bas.




Tournevis cruciforme



- Utilisez 4 vis **I** pour fixer la cheminée au bas du châssis. Ne serrez pas les vis.
- Fixez la cheminée au châssis en insérant les vis **I** dans les trous en forme de poire, puis tournez vers la gauche et serrez les vis.



| | | |
|----------|----------------------------------|---|
| I | Vis à tête étoile (1/4" x 9/16") |  |
|----------|----------------------------------|---|

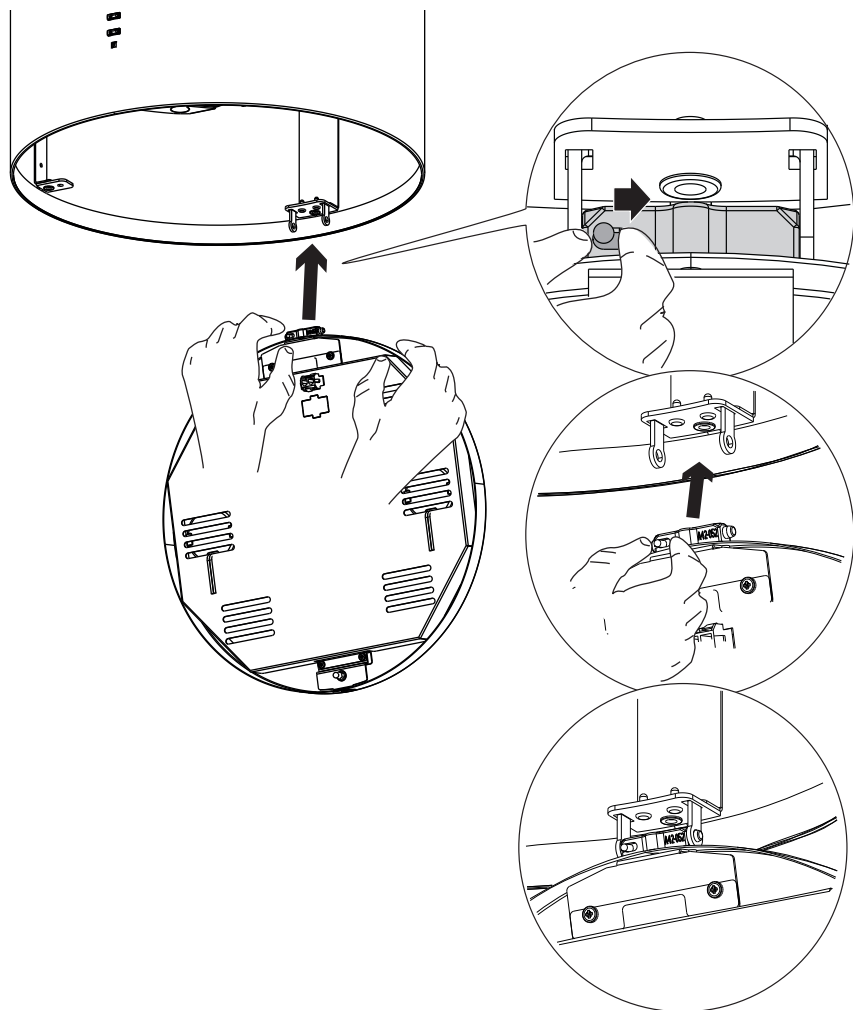
| | |
|------------------|--|
| Tournevis étoile |  |
|------------------|--|

INSTALLATION DU PANNEAU

12

INSTALLATION DU PANNEAU

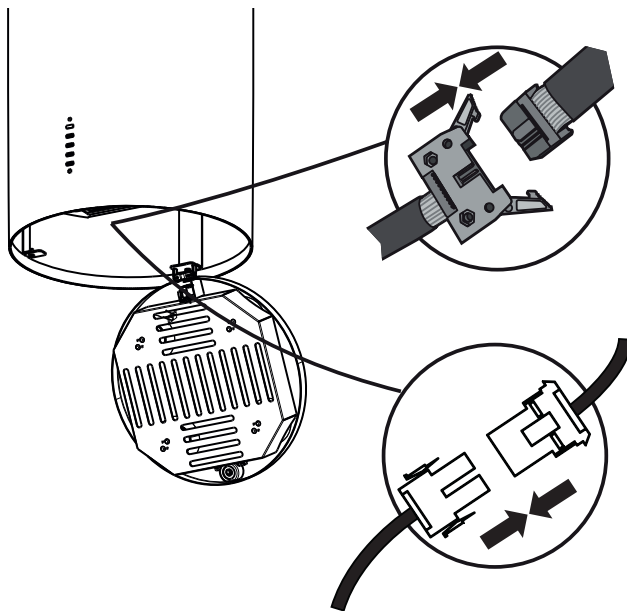
1. Installez le panneau au bas de la hotte.
2. Faites glisser la cheville de fixation pour bloquer la charnière en place et verrouillez le panneau en le poussant vers le haut dans les fentes.



13

BRANCHEMENT DU CONNECTEUR

1. Branchez ensuite les fils de commande et d'éclairage à l'intérieur de la hotte, au-dessus des filtres à graisse.



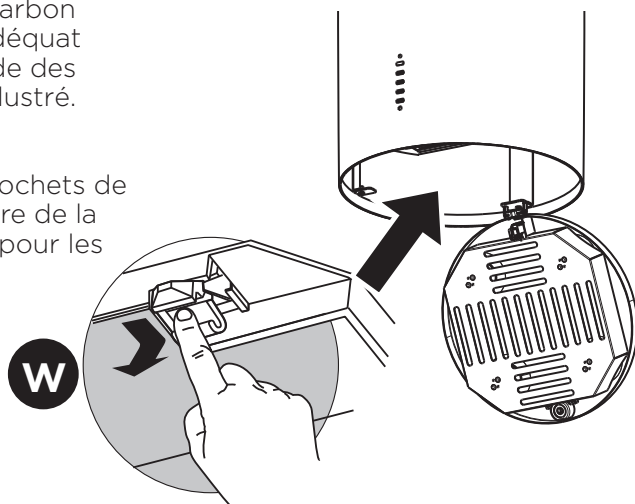
À noter :

- Mettez l'alimentation sous tension.
- Mettez le ventilateur et l'éclairage en marche.
- Si la hotte ne fonctionne pas, assurez-vous que le disjoncteur ou le fusible du domicile n'a pas sauté.
- Si l'unité ne fonctionne toujours pas, débranchez l'alimentation et vérifiez si les branchements ont été réalisés correctement.

14**POUR OPTION SANS CANALISATION, AVEC RECYCLAGE D'AIR**

Posez un filtre à charbon à l'emplacement adéquat et bloquez-le à l'aide des crochets, comme illustré.

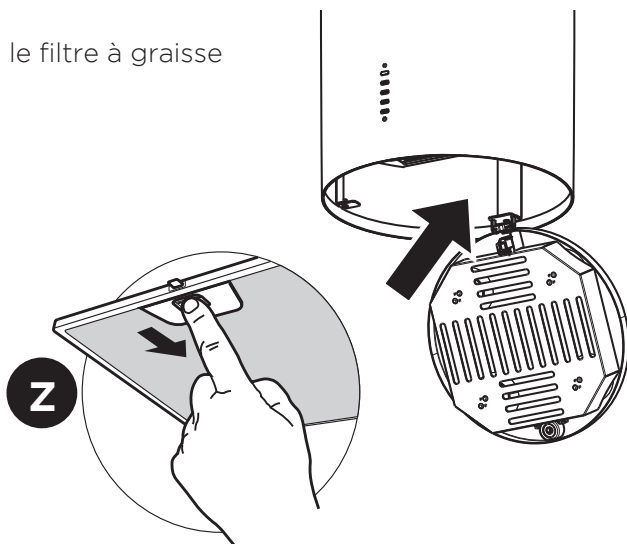
Déverrouillez les crochets de fixation (vers l'arrière de la hotte encastrable) pour les enlever.



Filtre à charbon actif
accessoire requis - No
d'article - FILTER2 (acheté
séparément)

**15**

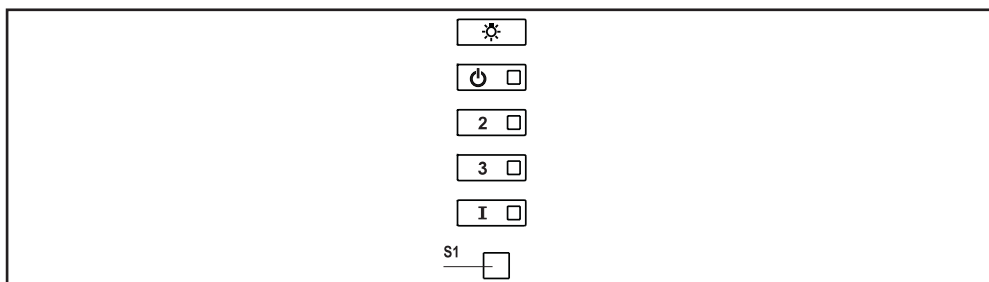
Remettez en place le filtre à graisse métallique.



UTILISATION DES COMMANDES

POUR DE MEILLEURS RÉSULTATS

Activez la hotte quelques minutes avant de commencer à cuisiner pour créer un flux d'air adéquat. Laissez la hotte fonctionner quelques minutes après avoir fini de cuisiner pour absorber toute la fumée et les odeurs de la cuisine.



| Bouton | Fonction | DEL |
|-----------|--|-------------|
| | Allume/Éteint l'éclairage à la puissance maximale. | - |
| | Appuyez sur ce bouton et tenez-le enfoncé pendant environ 2 secondes pour allumer/éteindre l'éclairage à intensité variable. | - |
| | Allume et éteint le moteur à la vitesse un. | ACTIVÉ |
| | Allume le moteur à la vitesse deux. | ACTIVÉ |
| | Alarme du filtre à charbon actif - Appuyez sur ce bouton et tenez-le enfoncé pendant environ 5 secondes, lorsque tous les dispositifs sont éteints (moteur et éclairage), pour activer cette alarme. Le témoin DEL approprié clignote deux fois pour confirmer. Pour éteindre l'alarme, appuyez de nouveau sur le bouton et tenez-le enfoncé pendant au moins 5 secondes. Le témoin DEL approprié clignote une fois. | |
| | Allume le moteur à la vitesse trois. | ACTIVÉ |
| | Alarme du filtre à graisse et alarme du filtre à charbon actif Pour réinitialiser l'alarme: appuyez sur ce bouton et tenez-le enfoncé pendant environ 3 secondes, lorsque tous les dispositifs de la hotte sont éteints (moteur et éclairage), jusqu'à ce que le témoin DEL S1 clignote trois fois. | |
| | Allume le moteur à la vitesse INTENSIVE. Cette vitesse est programmée pour fonctionner pendant 6 minutes. Après ce délai, le système retournera automatiquement à la vitesse sélectionnée précédemment. Si cette modalité est activée tandis que le moteur est éteint, la hotte s'éteindra après le délai. | ACTIVÉ |
| S1 | L'alarme de saturation du filtre à graisse métallique signale qu'il est nécessaire de nettoyer les filtres. L'alarme s'active lorsque la hotte a été en fonction pendant 100 heures. | ACTIVÉ |
| | Lorsqu'elle est activée: l'alarme de saturation du filtre à charbon actif signale que le filtre doit être changé; les filtres à graisse métalliques doivent également être nettoyés. L'alarme de saturation du filtre à charbon actif s'active lorsque la hotte a été en fonction pendant 200 heures. | Clignotant. |

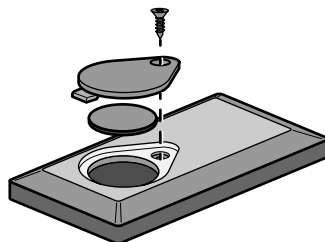
TÉLÉCOMMANDE (EN OPTION)

Installation de la pile

- La télécommande est alimentée par une pile 3 V de type CR2032 (n'est pas incluse).
- Retirez la vis et installez la pile.
- Assurez-vous que la pile est installée avec le symbole « + » vers le haut.

Attention:

- Ne déposez pas la télécommande à proximité de sources de chaleur.
- Ne jetez pas les piles avec les déchets courants. Elles doivent être jetées dans des contenants particuliers.
- Serrez à fond les vis du compartiment de la pile.



NETTOYAGE DE L'ACIER INOXYDABLE

Nettoyage des surfaces extérieures:

Veillez noter que l'utilisation de produits abrasifs ou solvants peut endommager la surface de la hotte; ils ne devraient pas être utilisés pour le nettoyage des surfaces.

Instructions pour le nettoyage de l'acier inoxydable:

Nettoyez les surfaces extérieures avec un agent nettoyant pour l'acier inoxydable disponible sur le marché.

ENTRETIEN DES FILTRES

NETTOYAGE DES FILTRES À GRAISSE MÉTALLIQUES

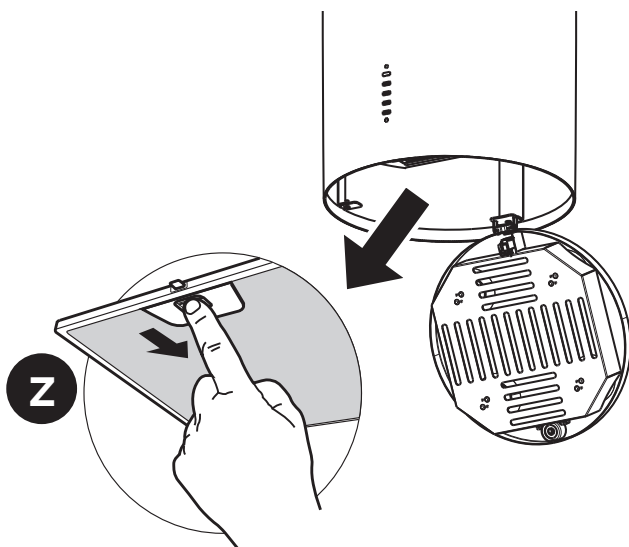
Ils peuvent être lavés dans le lave-vaisselle et doivent être nettoyés lorsque le témoin DEL **S1** s'allume ou au moins une fois tous les 2 mois d'usage, ou encore plus fréquemment en cas d'utilisation particulièrement intensive.

Réinitialisation de l'alarme du filtre à graisse

1. Éteignez l'éclairage et la hotte.
2. Appuyez sur **3** et tenez-le enfoncé pendant au moins 3 secondes, jusqu'à ce que le témoin DEL clignote 3 fois pour confirmer.

Nettoyage des filtres

1. Ouvrez le panneau.
2. Retirez les filtres un à un, en les poussant vers l'arrière de l'appareil et en les tirant vers le bas simultanément.
3. Lavez les filtres sans les plier et laissez-les sécher complètement avant de les remettre en place. (Si la surface du filtre change de couleur au fil du temps, cela n'aura aucun impact sur l'efficacité du filtre même.)
4. Remettez les filtres à graisse en place, en vous assurant que leur poignée se trouve vers l'avant.
5. Faites sécher complètement les filtres avant de les remettre en place. Autrement, des résidus de graisse pourraient chauffer et couler.
6. Refermez le panneau.



REPLACEMENT DU FILTRE À CHARBON ACTIF

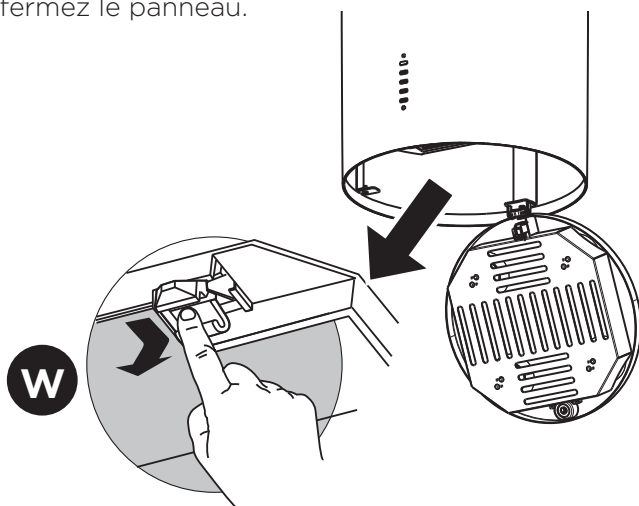
Ils ne peuvent être lavés ni régénérés, et doivent être changés lorsque le témoin DEL **S1** commence à clignoter, ou au moins une fois tous les 4 mois. S'il a été activé, le signal d'alarme apparaît uniquement lorsque le ventilateur de hotte est activé.

Réinitialisation de l'alarme du filtre à charbon

1. Éteignez l'éclairage et la hotte.
2. Appuyez sur **[3]** et tenez-le enfoncé pendant au moins 3 secondes, jusqu'à ce que le témoin DEL clignote 3 fois pour confirmer.

Nettoyage des filtres

1. Ouvrez le panneau.
2. Retirez les filtres un à un, en les poussant vers l'arrière de l'appareil et en les tirant vers le bas simultanément.
3. Retirez le filtre à charbon saturé en détachant les crochets de fixation.
4. Posez le nouveau filtre et fixez-le à l'emplacement adéquat.
5. Remettez-le en place, en vous assurant que la poignée se trouve vers l'avant.
6. "Pour réduire le risque d'incendie ou de choc électrique, lorsque l'appareil est utilisé en mode recyclage, utilisez uniquement le modèle FILTER 2 en guise de trousse de conversion."
7. Refermez le panneau.



REPLACEMENT DES AMPOULES

Les ampoules DEL doivent être remplacées par un service d'entretien autorisé Faber.

GARANTIE



FABER CONSUMER WARRANTY & SERVICE

All Faber products are warranted against any defect in materials or workmanship for the original purchaser for a period of 1 year from the date of original purchase (requires proof of purchase). This warranty covers labor and replacement parts. Faber, at its option, may repair or replace the product or components necessary to restore the product to good working condition. To obtain warranty service, contact the dealer from whom you purchased the range hood, or the local Faber distributor. If you cannot identify a local Faber distributor, contact us at (508) 358-5353 for the name of a distributor in your area.

The following is not covered by Faber's warranty:

1. Service calls to correct the installation of your range hood, to instruct you how to use your range hood, to replace or repair house fuses or to correct house wiring or plumbing.
2. Service calls to repair or replace range hood light bulbs, fuses or filters. Those consumable parts are excluded from warranty coverage.
3. Repairs when your range hood is used for other than normal, single-family household use.
4. Damage resulting from accident, alteration, misuse, abuse, fire, flood, acts of God, improper installation, installation not in accordance with electrical or plumbing codes or Faber documentation, or use of products not approved by Faber.
5. Replacement parts or repair labor costs for units operated outside the United States or Canada, including any non-UL or C-UL approved Faber range hoods.
6. Repairs to the hood resulting from unauthorized modifications made to the range hood.
7. Expenses for travel and transportation for product service in remote locations and pickup and delivery charges. Faber range hoods should be serviced in the home.

THIS WARRANTY DOES NOT ALLOW RECOVERY OF INCIDENTAL OR CONSEQUENTIAL DAMAGES, INCLUDING, WITHOUT LIMITATION, DIRECT, INDIRECT, INCIDENTAL, SPECIAL OR CONSEQUENTIAL DAMAGES, PERSONAL INJURY/WRONGFUL DEATH OR LOST PROFITS. FABER WARRANTY IS LIMITED TO THE ABOVE CONDITIONS AND TO THE WARRANTY PERIOD SPECIFIED HEREIN AND IS EXCLUSIVE. EXCEPT AS EXPRESSLY SPECIFIED IN THIS AGREEMENT, FABER DISCLAIMS ALL EXPRESS OR IMPLIED CONDITIONS, REPRESENTATIONS, AND WARRANTIES INCLUDING, WITHOUT LIMITATION, ANY IMPLIED WARRANTIES OF MERCHANTABILITY OR FITNESS FOR A PARTICULAR PURPOSE.

This warranty gives you specific legal rights that may vary from state to state.

Model#: _____

Serial #: _____

CONTENIDO

| | |
|---|-----------|
| Instrucciones de seguridad importantes | 66 |
| Dimensiones de la campana extractora | 70 |
| Requisitos de altura de instalación | 72 |
| Piezas | 73 |
| Herramientas necesarias | 75 |
| Elegir el método de ventilación | 76 |
| Preparación de la campana de techo | 78 |
| Preparación del bastidor de la campana | 80 |
| Ventilación - recirculación sin conducto | 82 |
| Ventilación - ventilación con conducto | 83 |
| Instale el bastidor de la campana | 84 |
| Conexión de la electricidad | 85 |
| Instale el cuerpo de la campana | 86 |
| Instalación del panel de confort | 89 |
| Operación de los controles | 92 |
| Control remoto (opcional) | 93 |
| Limpieza del acero inoxidable | 93 |
| Cuidado de los filtros | 94 |
| Reemplazo de bombillas | 95 |
| Garantía | 96 |

INSTRUCCIONES DE SEGURIDAD IMPORTANTES

LEA Y GUARDE ESTAS INSTRUCCIONES ANTES DE COMENZAR A INSTALAR ESTA CAMPANA EXTRACTORA

ADVERTENCIA: - PARA REDUCIR EL RIESGO DE INCENDIO DE LA CAMPANA POR GRASA:

- a) Nunca deje las unidades de superficie desatendidas en ajustes altos. Los derrames por ebullición pueden causar humos y derrames de grasa que pueden incendiarse. Caliente los aceites lentamente en ajustes bajos o medios.
- b) Siempre encienda la campana cuando cocine a fuego alto o cuando flamee alimentos (por ej. Crepes Suzette, Cherries Jubilee, Peppercorn Beef Flambé).
- c) Limpie los ventiladores con frecuencia. No se debe permitir que la grasa se acumule en el ventilador o en el filtro.
- d) Use una olla de tamaño adecuado. Utilice siempre utensilios de cocina apropiados para el tamaño del elemento de superficie.

ADVERTENCIA: - PARA REDUCIR EL RIESGO DE LESIONES A PERSONAS EN CASO DE INCENDIO DE GRASA EN LA CAMPANA, TENGA EN CUENTA LO SIGUIENTE*:

- a) APAGUE LAS LLAMAS con una tapa ajustada, bandeja para hornear galletas o bandeja de metal, luego apague el quemador. TENGA CUIDADO PARA EVITAR QUEMADURAS. Si las llamas no se apagan inmediatamente, EVACÚE Y LLAME AL DEPARTAMENTO DE BOMBEROS.
- b) NUNCA RECOJA UNA OLLA EN LLAMAS - Puede quemarse.
- c) NO USE AGUA, incluidos paños de cocina húmedos o toallas; se producirá una violenta explosión de vapor.
- d) Use un extintor SOLAMENTE si:
 1. Usted sabe que tiene un extintor Clase ABC y ya sabe cómo operarlo.
 2. El incendio es pequeño y está contenido en el área donde comenzó.
 3. Se llama al departamento de bomberos.
 4. Puede luchar contra el incendio con su espalda hacia una salida.

* Basado en "Consejos de seguridad contra incendios en la cocina" publicado por NFPA

ADVERTENCIA - PARA REDUCIR EL RIESGO DE DESCARGA ELÉCTRICA O INCENDIO, no use este ventilador con ningún dispositivo de control de velocidad de estado.

ADVERTENCIA - PARA REDUCIR EL RIESGO DE INCENDIOS, DESCARGAS ELÉCTRICAS O LESIONES PERSONALES, OBSERVE LO SIGUIENTE:

1. Use esta unidad solo de la manera prevista por el fabricante. Si tiene alguna pregunta, comuníquese con el fabricante.
2. Antes de reparar o limpiar la unidad, apague el equipo en el panel de servicio y bloquee los medios de desconexión del servicio para evitar que la energía se encienda accidentalmente. Cuando los medios de desconexión del servicio no se puedan bloquear, fije de forma segura un dispositivo de advertencia prominente, como una etiqueta, al panel de servicio.

PRECAUCIÓN: Para uso general de ventilación solamente. No lo use para descargar materiales y vapores peligrosos o explosivos.

ADVERTENCIA - PARA REDUCIR EL RIESGO DE INCENDIOS, DESCARGAS ELÉCTRICAS O LESIONES PERSONALES, OBSERVE LO SIGUIENTE:

1. El trabajo de instalación y el cableado eléctrico deben realizarlo las personas calificadas de acuerdo con todos los códigos y estándares aplicables, incluida la construcción con clasificación de incendio.
2. Se necesita suficiente aire para la combustión adecuada y el escape de gases a

través del tubo de humos (chimenea) del equipo que quema combustible para evitar la retrogresión. Siga las directrices del fabricante del equipo de calefacción y las normas de seguridad tales como los publicados por la National Fire Protection Association (NFPA), la American Society for Heating, Refrigeration and Air Conditioning Engineers (ASHRAE) y las autoridades de los códigos locales.

- 3. Al cortar o perforar la pared o el techo, no dañe el cableado eléctrico ni otros servicios ocultos.**
- 4. Los ventiladores con conductos siempre deben tener salida al exterior.**

TODAS LAS APERTURAS DE PARED Y PISO DONDE SE INSTALE LA CAMPANA EXTRACTORA DEBEN SER SELLADAS.

Esta campana extractora requiere al menos 24" de espacio libre entre la parte inferior de la campana extractora y la superficie de cocción o encimera. Esta campana ha sido aprobada por UL a esta distancia de la placa.

Esta separación mínima puede ser mayor dependiendo de los códigos de construcción locales. Para placas de gas y cocinas combinadas, se recomienda y puede ser necesario un mínimo de 30 ".

Los gabinetes superiores en ambos lados de esta unidad deben estar a un mínimo de 18" sobre la superficie de cocción o la encimera. Consulte las instrucciones de instalación de la placa o la campana proporcionadas por el fabricante antes de hacer cualquier corte.

INSTALACIÓN EN VIVIENDAS MÓVILES La instalación de esta campana extractora debe cumplir con los Estándares de construcción y seguridad de casas prefabricadas, Título 24 CFR, Parte 3280 (anteriormente Estándar federal para la construcción y seguridad en viviendas móviles, Título 24, HUD, Parte 280). Vea los requisitos eléctricos"

REQUISITOS DE VENTILACIÓN

Determine qué método de ventilación es mejor para su aplicación. Los conductos pueden extenderse a través de la pared o el techo.

La longitud de los conductos y la cantidad de codos se deben mantener al mínimo para proporcionar un rendimiento eficiente. El tamaño de los conductos debe ser uniforme. No instales dos codos juntos. Use cinta adhesiva para sellar todas las juntas en el sistema de conductos. Utilice calafateo para sellar la pared exterior o la abertura del piso alrededor de la tapa.

NO se recomiendan conductos flexibles. Los conductos flexibles crean una contrapresión y turbulencias de aire que reducen en gran medida el rendimiento.

Asegúrese de que haya espacio libre adecuado dentro de la pared o el piso para el conducto de escape antes de hacer los cortes. No corte una vigueta o poste a menos que sea absolutamente necesario. Si se debe cortar una vigueta o poste, entonces se debe construir un marco de soporte.

ADVERTENCIA - Para reducir el riesgo de incendio, use solamente conductos de metal. PRECAUCIÓN - Para reducir el riesgo de incendio y para descargar adecuadamente el aire, asegúrese de sacar el aire - No expulse los humos en espacios dentro de paredes o techos, áticos, espacios angostos o garajes.

Instalaciones para clima frío

Se debe instalar un registro de tiro adicional para minimizar el flujo de aire frío hacia atrás y se debe instalar un disyuntor térmico no metálico para minimizar la conducción de las temperaturas exteriores como parte del sistema de ventilación. El registro debe estar en el lado del aire frío del interruptor térmico. El interruptor debe estar lo más cerca posible de donde el sistema de ventilación ingrese a la parte calentada de la casa.



ADVERTENCIA

- El sistema de ventilación DEBE terminar fuera del hogar.
- **NO** termine el conducto en un espacio ático o en otro espacio cerrado.
- **NO** use tacos de pared de 4" tipo lavadero.
- NO se recomiendan los conductos de tipo flexible.
- **NO** obstruya el flujo del aire de combustión y ventilación.
- El incumplimiento de los requisitos de ventilación puede provocar un incendio.

REQUISITOS ELÉCTRICOS

Se requiere un suministro eléctrico de 120 voltios, 60 Hz solo CA en un circuito separado con fusible de 15 amperios. Se recomienda un fusible de retardo o un cortacircuitos. El fusible se debe dimensionar según los códigos locales de acuerdo con la clasificación eléctrica de esta unidad, tal como se especifica en la placa de número de serie/clasificación ubicada dentro de la unidad, cerca del compartimento de cableado de campo.

INSTALACIÓN ELÉCTRICA CON CAJA DE CABLEADO

ESTA UNIDAD DEBE CONECTARSE CON CABLE DE COBRE SOLAMENTE. Los tamaños de los cables deben cumplir con los requisitos del Código Eléctrico Nacional, ANSI / NFPA 70, última edición, y todos los códigos y ordenanzas locales. El tamaño del cable y las conexiones deben cumplir con la clasificación del equipo. Se pueden obtener copias de la norma enumerada anteriormente en:

National Fire Protection Association
Batterymarch Park
Quincy, Massachusetts 02269

Este electrodoméstico debe conectarse directamente a la desconexión por fusible (o disyuntor) a través de un cable flexible, blindado o no metálico de cobre enfundado. Deje algo de tensión en el cable para poder mover el dispositivo si alguna vez lo necesita. Debe haber un conector de conducto de 1/2 homologado por UL en cada extremo del cable de suministro de energía (en el equipo y en la caja de conexiones).

Al hacer la conexión eléctrica, corte un agujero de 1 1/4" en la pared. Un agujero cortado a través de la madera debe lijarse hasta que quede liso. Un agujero a través del metal debe tener un ojal.



ADVERTENCIA

- Esta campana extractora requiere conexión eléctrica de tierra.
- Si la tubería de agua fría está interrumpida por juntas de plástico, de materiales no metálicos u otros materiales, NO la utilice para conexión a tierra.
- NO conecte a tierra a una tubería de gas.
- NO tenga un fusible en el circuito neutro o de tierra. Un fusible en el circuito neutro o de tierra podría provocar una descarga eléctrica.
- Consulte con un electricista calificado si tiene dudas acerca de si la campana extractora está correctamente conectada a tierra.
- El incumplimiento de los requisitos eléctricos puede provocar un incendio.

Advertencia de la Propuesta 65 del Estado de California (solo EE. UU.)

⚠ ADVERTENCIA

Este producto contiene productos químicos que el Estado de California reconoce como causantes de cáncer y defectos de nacimiento u otros daños reproductivos. Para obtener más información, vaya a www.P65Warnings.ca.gov

DIMENSIONES DE LA CAMPANA EXTRACTORA



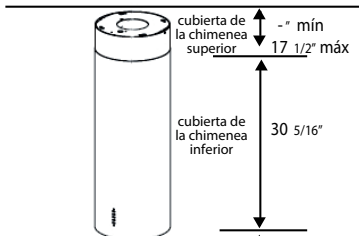
ADVERTENCIA

PELIGRO DE LESIONES PERSONALES

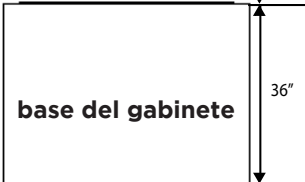
Debido al peso y tamaño del dosel de la campana extractora, se necesitan dos o más personas para trasladar e instalar de manera segura la capota de la campana extractora.

Si no levanta correctamente la campana extractora, se podría dañar el producto o sufrir lesiones personales.

CON CONDUCTO



24"-30" es la distancia recomendada entre la placa de cocción y la campana extractora. Se recomienda que esta campana no se utilice en una cocina de gas profesional



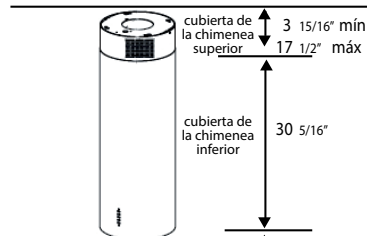
| altura mínima y máxima del techo | |
|----------------------------------|---------------------|
| con conducto | sin conducto |
| x = 24" - 30" | x = 24" - 30" |
| mín 7' 6 5/16" | mín 7' 10 1/4" |
| máx 8' 11 13/16" | máx 8' 11 13/16" |

X = Mín. 24"

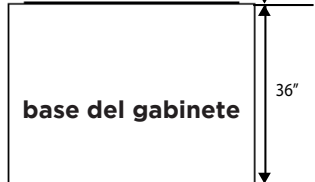


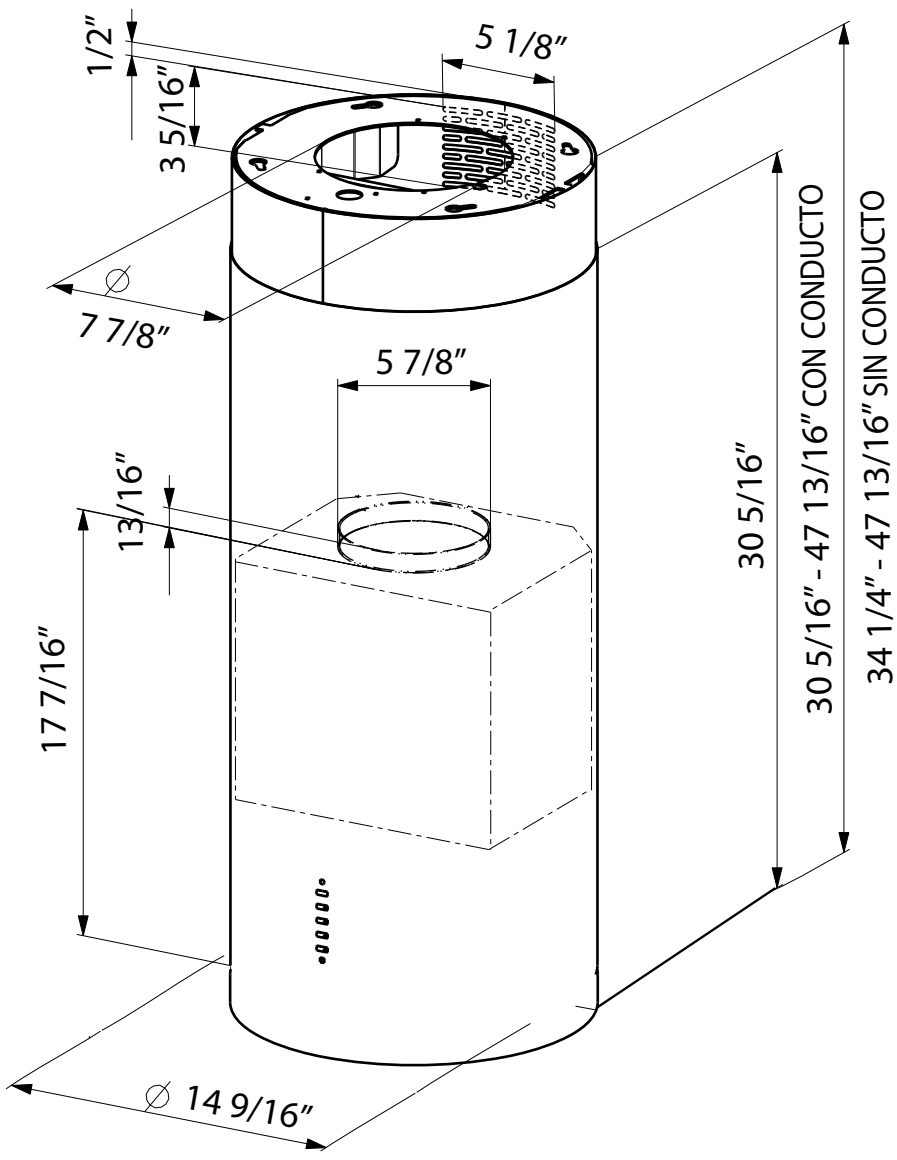
X = Mín. 30"

SIN CONDUCTO



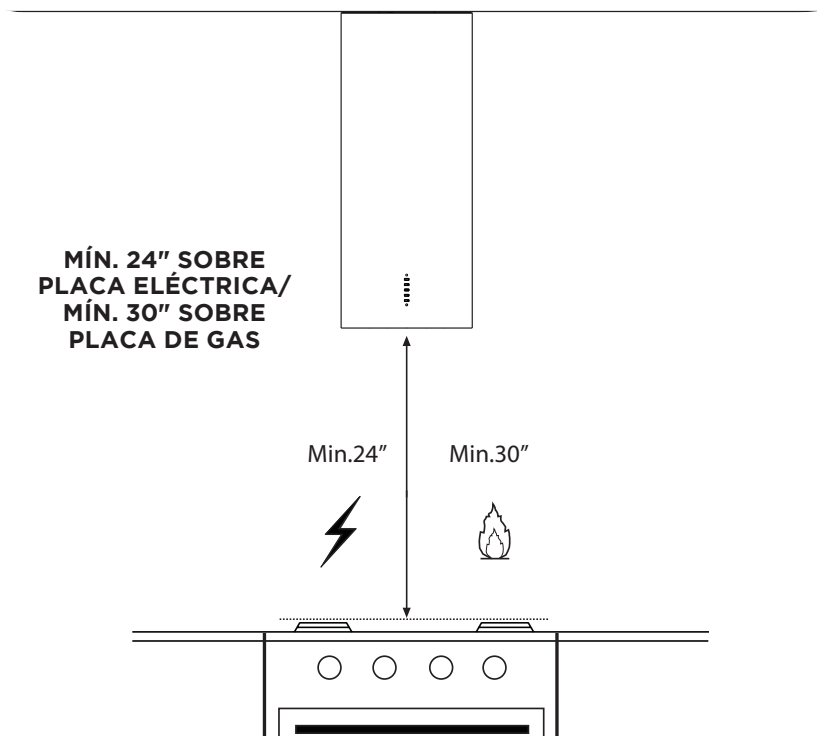
24"-30" es la distancia recomendada entre la placa de cocción y la campana extractora. Se recomienda que esta campana no se utilice en una cocina de gas profesional





REQUISITOS DE ALTURA DE INSTALACIÓN

Se debe realizar un punto de acceso a la campana desde el techo o soffito para la instalación y el futuro acceso a la campana extractora.



PREPARACIÓN PARA COLOCAR LA CHIMENEA

La campana extractora se fija al techo mediante una estructura de soporte de metal (B en la página 9). Este soporte debe estar unido al techo antes de colocar la campana. Esta estructura debe estar firmemente unida al techo.

PARA TECHOS DE MADERA: Use cuatro tornillos para madera largos 4" y arandelas.











PARA TECHOS DE YESO O CARTÓN YESO:

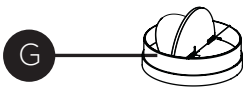
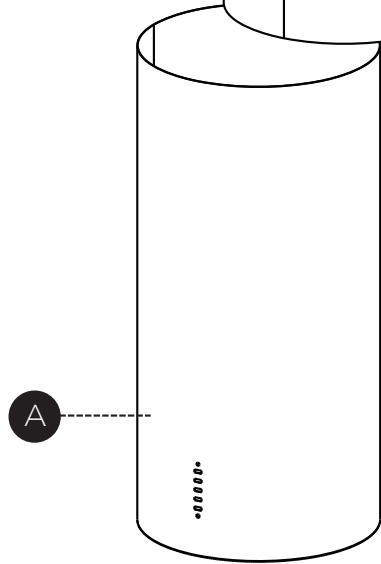
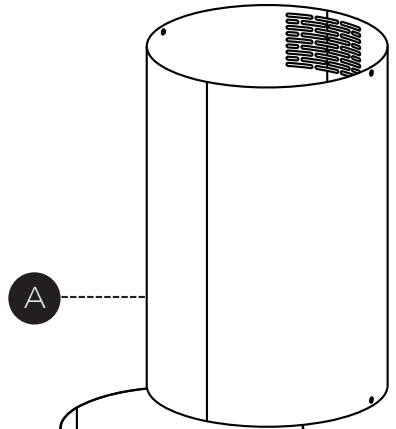
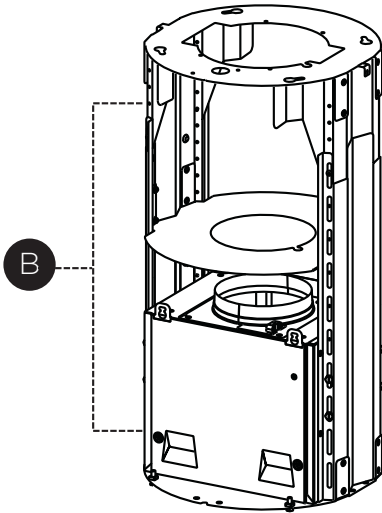
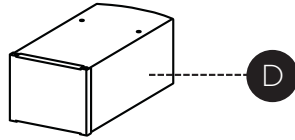
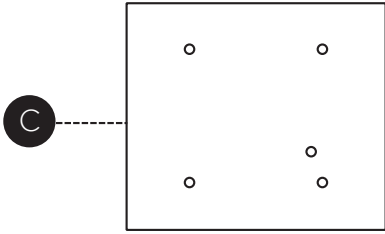
Si es posible, el soporte se debe unir a las vigas del techo. De lo contrario, debe construirse una estructura de soporte detrás del cartón yeso.

PIEZAS

PIEZAS INCLUIDAS


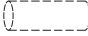



| REF. | PIEZA | CDAD |
|------|---|------|
| A | Cuerpo de la campana | 1 |
| B | Bastidor telescópico completo con extractor | 1 |
| C | Plantilla de montaje | 1 |
| D | Conector de salida de aire sin conducto | 1 |
| E | Brida \varnothing 4 3/4" | 1 |
| F | Brida reductora \varnothing 5 7/8" - 4 3/4" | 1 |
| G | Registro | 1 |

| REF | PIEZA | CDAD |
|-----|--|------|
| H | Tornillos Pozi (1/8" x 1/4")   | 4 |
| I | Tornillos Torx (1/4" x 9/16")   | 4 |
| L | Tornillos Torx (1/4" x 2 3/4")   | 4 |
| M | Tuercas  | 4 |
| N | Arandelas  | 4 |
| O | Tornillos Torx (1/4" x 3 1/8")   | 4 |



PIEZAS (cont.)











PIEZAS NECESARIAS

| PIEZA | |
|--|---|
| Abrazaderas de tubo |  |
| Tubo de 4 3/4" - RECIRCULACIÓN SIN CONDUCTO |  |
| Tubo de 5 7/8" - VENTILACIÓN CON CONDUCTO |  |
| Conectores de cable. |  |
| Tacos para cartón yeso u otros sujetadores de pared adecuados basados en su instalación. |  |

ACCESORIOS DISPONIBLES

| ACCESORIO | SKU# |
|--|------------------|
| Filtro de carbón activado de reemplazo | #FILTER2 |
| Control remoto inalámbrico | #REMCTRL2 |
| Kit reductor de CFM | CFMRED2 |

HERRAMIENTAS NECESARIAS

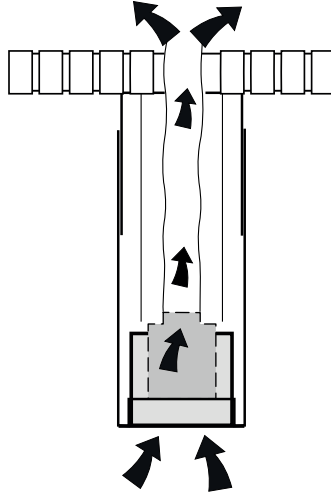
| HERRAMIENTA | |
|--------------------------------------|--|
| Cinta métrica |  |
| Lápiz |  |
| Taladro eléctrico con broca de 5/16" |  |
| Destornillador Phillips |  |
| Destornillador Torx |  |
| Destornillador Pozi |  |
| Destornillador de cabeza plana |  |
| Visillos de metal |  |
| Guantes de trabajo |  |
| Cinta de aluminio |  |

ELEGIR EL MÉTODO DE VENTILACIÓN

1

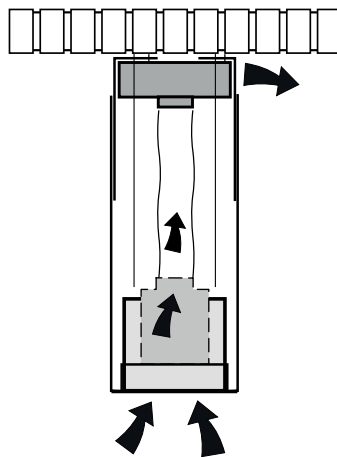
ELEGIR EL MÉTODO DE VENTILACIÓN

A) Instalación de ventilación con conducto



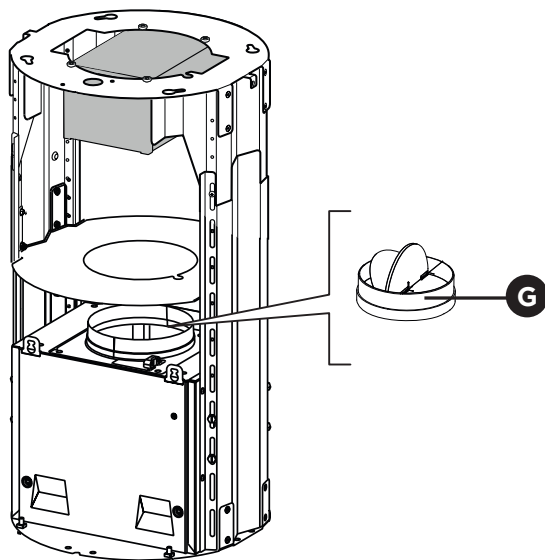
B) Recirculación sin conducto

Requiere la compra del accesorio de carbón activado.



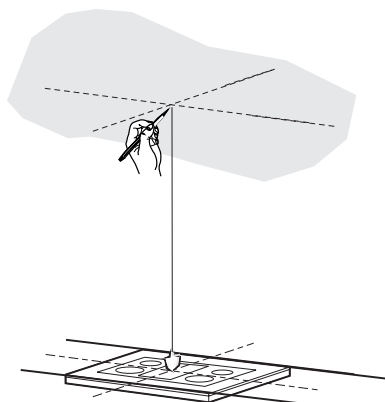
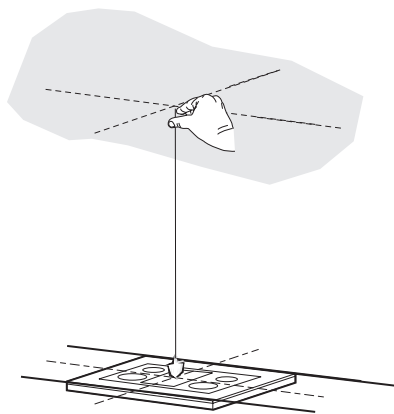
INSTALACIÓN DE VENTILACIÓN CON CONDUCTO SOLAMENTE:

Instale **G** el registro redondo.



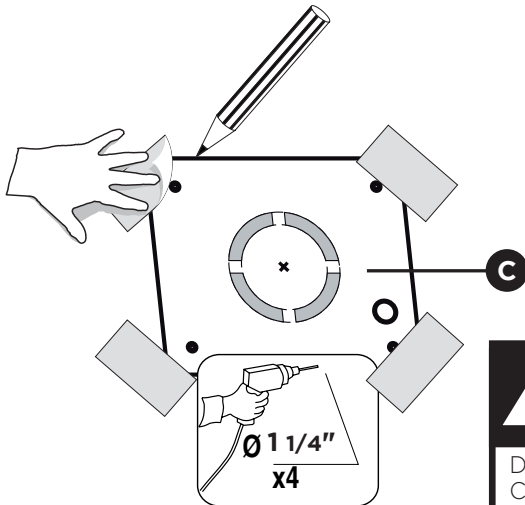
2

- Desconecte y traslade la placa independiente del mostrador para proporcionar un acceso más fácil al techo. Coloque una cubierta gruesa y protectora sobre la placa de cocción, la cocina empotrada o la encimera para protegerlas de daños o suciedad.
- Use una línea de plomada para marcar el centro de la cocina en el techo/sofite.



PREPARACIÓN DE LA CAMPANA DE TECHO

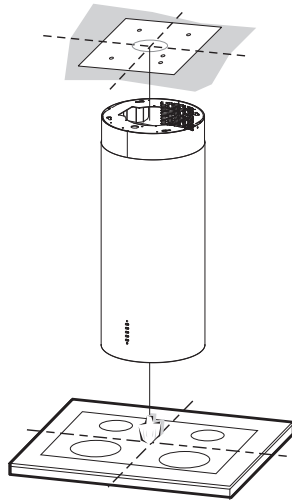
- 3
- Use la plantilla de montaje en el techo para determinar la ubicación de los tornillos de montaje en el techo.
 - Marque el centro de los agujeros en la plantilla del techo.



ADVERTENCIA

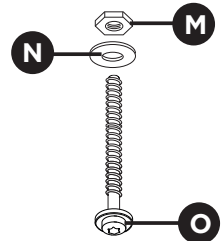
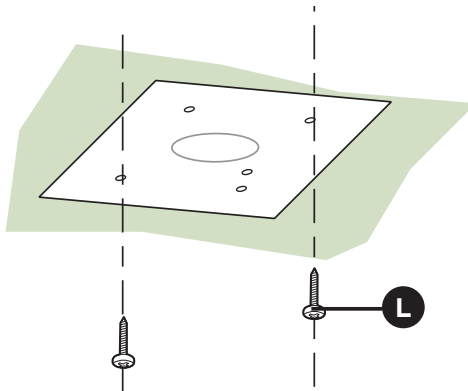
DEBIDO AL TAMAÑO Y AL PESO DE ESTA CAMPANA EXTRACTORA, EL SOPORTE DEBE ESTAR FIRMEMENTE FIJADO AL TECHO. Para techos de yeso o cartón yeso, el soporte debe estar sujeto a las vigas. Si esto no es posible, se debe construir una estructura de soporte detrás del yeso o el cartón yeso. El fabricante no asume ninguna responsabilidad por lesiones o daños causados por instalaciones inadecuadas.

- Determine y haga los cortes necesarios para el conducto. La abertura del conducto se muestra en la plantilla de montaje. Instale el conducto antes de montar la campana.
- Determine la ubicación correcta del cable de suministro de energía como se indica en la plantilla. Utilice una broca de $1\frac{1}{4}''$ para hacer este agujero. Pase el cable de suministro de energía. Use masilla para sellar alrededor del agujero.
- Un punto de salida para pasar cables a través de la fuente de alimentación desde el techo se encuentra en la parte superior del bastidor. No conecte el cable de alimentación a la caja de cableado ni encienda la campana en este momento. Pase suficiente cable de alimentación desde el techo para alcanzar la caja de cableado.



4

- Tome los tornillos para madera **L** o las tuercas **M** con arandelas **N** y los tornillos **O** dependiendo de su configuración y atornille los cuatro en los orificios piloto y deje 1/4" de las cabezas expuestas.
- En este paso es posible usar solo 2 tornillos (como se muestra).
- Para techos de concreto, use los tacos apropiados para el tamaño del tornillo (no incluido).

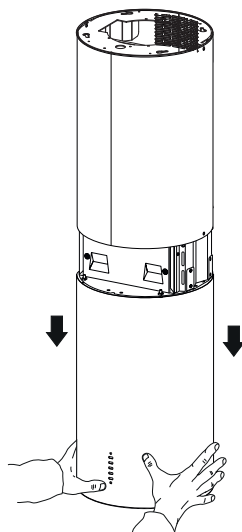
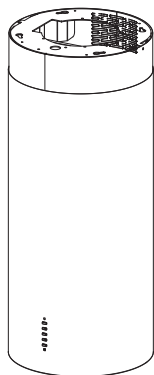


| | | |
|-----------------|---------------------------------------|--|
| <p>L</p> | <p>Tornillos Torx (1/4" x 2 3/4")</p> | |
|-----------------|---------------------------------------|--|

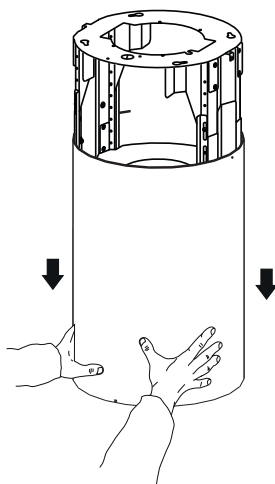
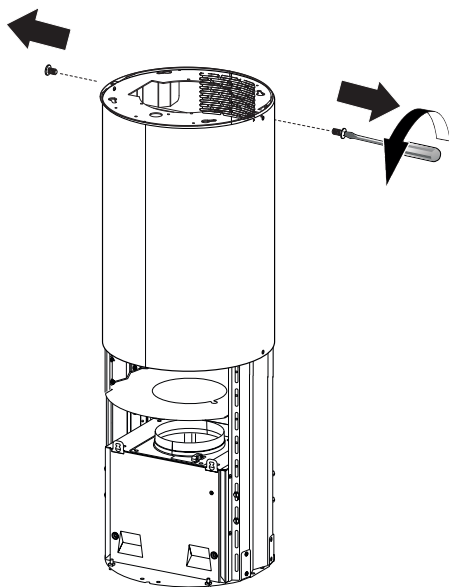
| | |
|----------------------------|--|
| <p>Destornillador Torx</p> | |
|----------------------------|--|

PREPARACIÓN DEL BASTIDOR DE LA CAMPANA

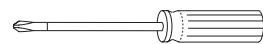
- 5 Retire la chimenea inferior del bastidor inferior.



- 6 Afloje los dos tornillos que sujetan la chimenea superior y retírela del bastidor inferior.



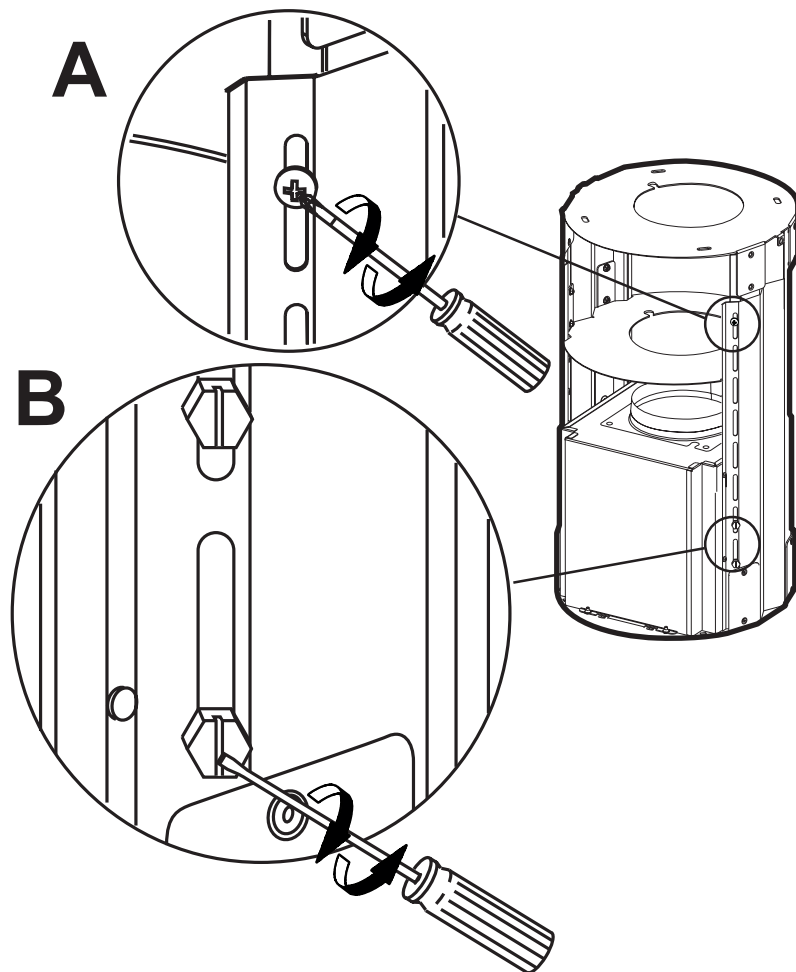
Destornillador Phillips



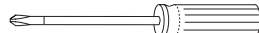
7

Si necesita ajustar la altura del bastidor, proceda de la siguiente manera:

- Afloje los tornillos que unen las dos columnas, ubicadas a los lados del bastidor.
- Ajuste el bastidor a la altura requerida, luego reemplace todos los tornillos que retiró y vuelva a apretarlos.



Destornillador Phillips



Destornillador de cabeza plana

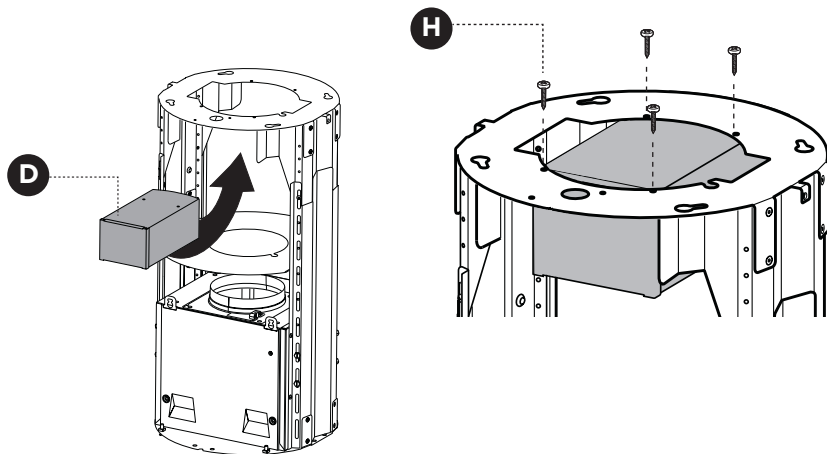


VENTILACIÓN - RECIRCULACIÓN SIN CONDUCTO

8a

INSTALE EL DESVIADOR SIN CONDUCTO

- Acople el conector de salida de aire sin conducto **D** al bastidor superior con 4 tornillos **H**.



H

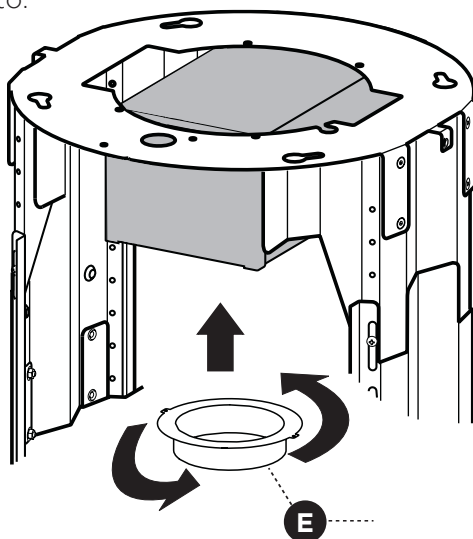
Tornillos Pozi (1/8" x 1/4")



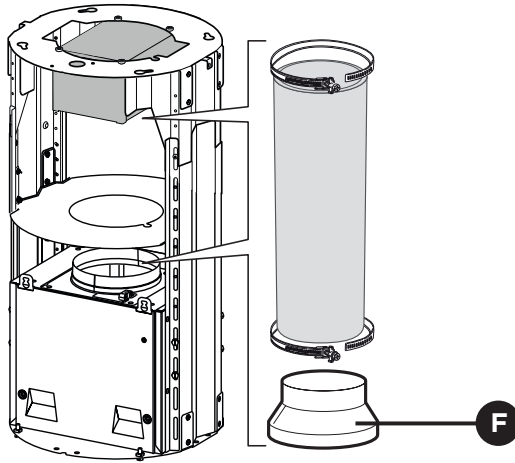
Destornillador Pozi



- Adjunte la brida **E** a la parte inferior de la pieza de salida sin conducto.



- Acople la brida reductora **F** a la salida de aire.
- Instale conductos (comprados por separado) para conectar la brida inferior y superior.
- Acople la tubería con las abrazaderas (no incluidas).

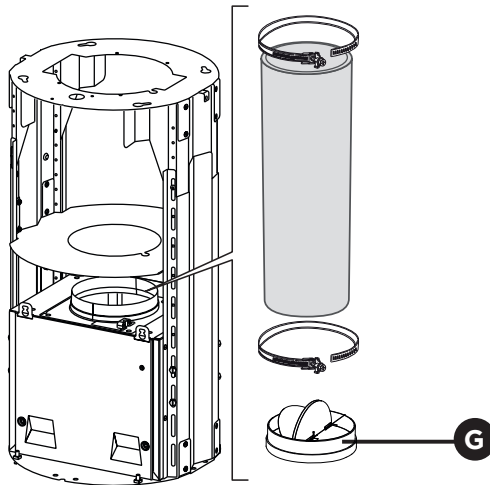


VENTILACIÓN - VENTILACIÓN CON CONDUCTO

8b

INSTALAR LA VENTILACIÓN CON CONDUCTO:

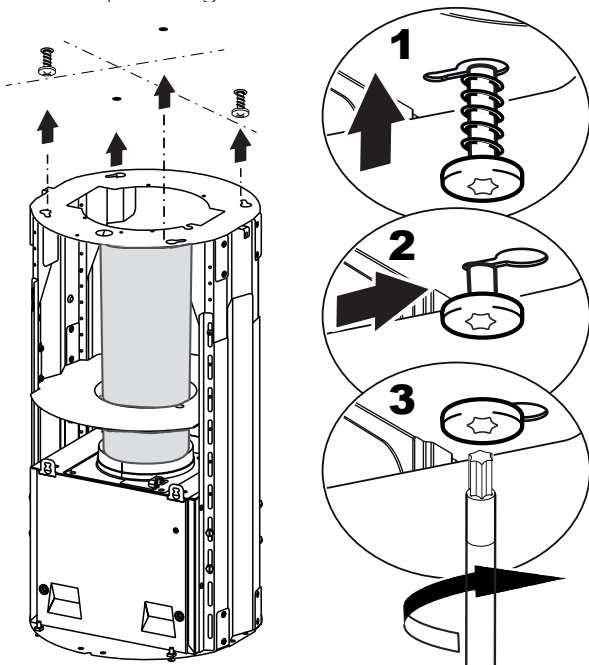
- Instale el registro **G** y conecte el conducto a la campana y selle todas las juntas.
- Acople la tubería con las abrazaderas (no incluidas).



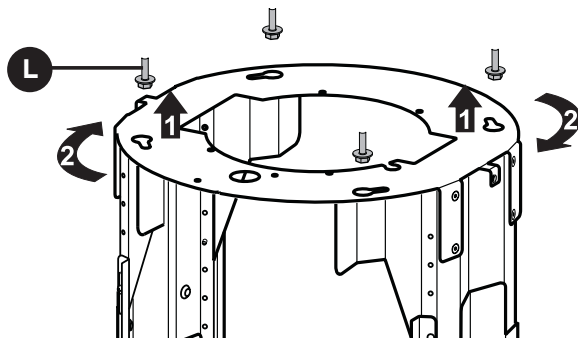
INSTALE EL BASTIDOR DE LA CAMPANA

9

- Levante el bastidor hasta el techo, coloque las ranuras del bastidor en los dos tornillos insertados en el techo.
- Gire el bastidor para llegar al centro del orificio de llave.

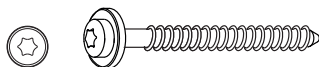


- Apriete los tornillos y luego coloque dos tornillos más **L** o tuercas **M** con arandela **N** y tornillos **O** dependiendo de su configuración en los otros orificios, asegurándose de que los tornillos estén asentados en los orificios de llave.

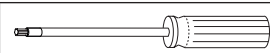


L

Tornillos Torx (1/4" x 2 3/4")



Destornillador Torx

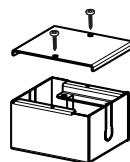


CONEXIÓN DE LA ELECTRICIDAD

- Antes de continuar con los siguientes pasos, asegúrese de que la campana esté bien asegurada al techo.
- Los soportes del bastidor deben ser seguros para soportar el peso de la campana y cualquier tensión causada por el empuje lateral ocasional aplicado al dispositivo. Al finalizar, verifique que la base sea estable y que permanezca estable incluso si se ejerce presión de lado a lado sobre la campana.
- En todos los casos en que el techo no sea lo suficientemente resistente en el punto de suspensión, el instalador debe proporcionar el refuerzo utilizando placas adecuadas y piezas de refuerzo ancladas a las partes estructuralmente sólidas.

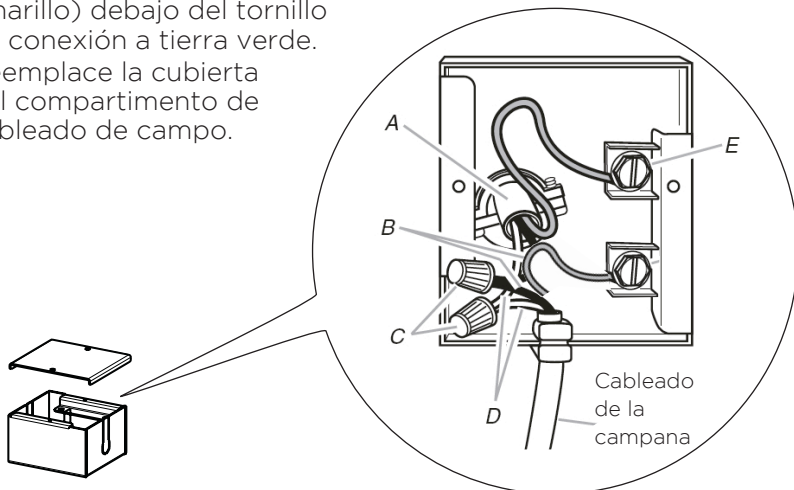
10

1. Retire la tapa del compartimiento de cableado de campo con un destornillador



Phillips.

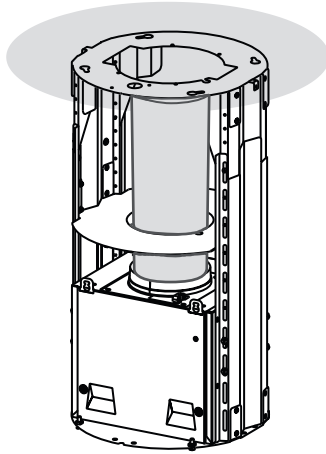
2. Alimente el cable de alimentación a través del panel eléctrico.
3. Conecte el cable de la fuente de alimentación a la campana extractora.
4. Conecte el cable blanco de la fuente de alimentación (**A**) al cable blanco de la campana extractora (**D**) con un conector de cable tipo twist-on.
5. Conecte el cable negro de la fuente de alimentación al cable negro de la campana extractora (**B**) con un conector de cable de tipo twist-on (**C**).
6. Conecte el cable de tierra verde (**E**) (verde y amarillo) debajo del tornillo de conexión a tierra verde.
7. Reemplace la cubierta del compartimiento de cableado de campo.



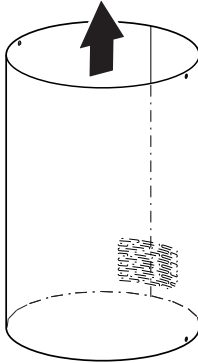
INSTALE EL CUERPO DE LA CAMPANA

11

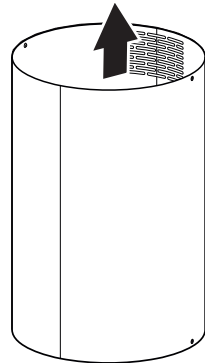
- Para **instalaciones** sin conductos, los orificios de ventilación en la chimenea superior de acero inoxidable deben colocarse hacia arriba.
- Para **instalaciones** con conducto, los orificios de ventilación se colocan en la parte inferior.



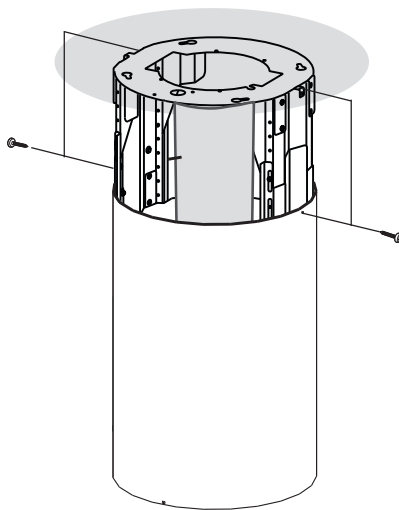
Sin conducto



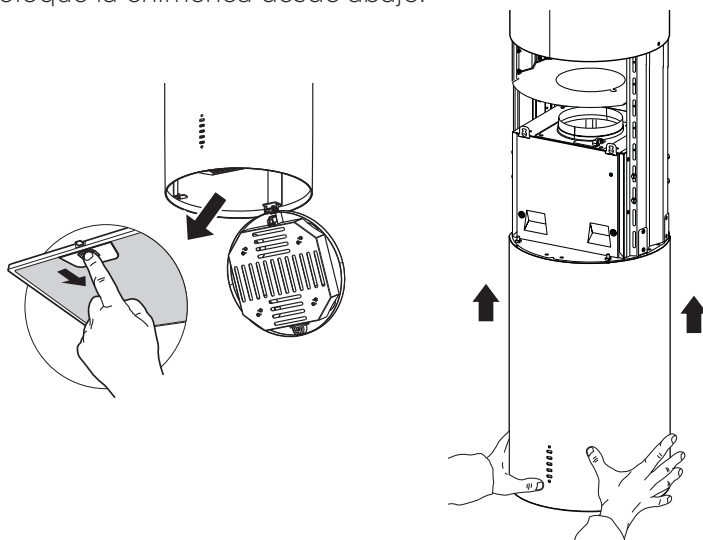
Con conducto



- Coloque la chimenea en el bastidor y fijela a la parte superior del bastidor con los mismos tornillos que retiró anteriormente. Asegúrese de hacer coincidir los agujeros sin conducto con la salida de la caja sin conducto dentro del bastidor si utiliza la aplicación sin conducto.



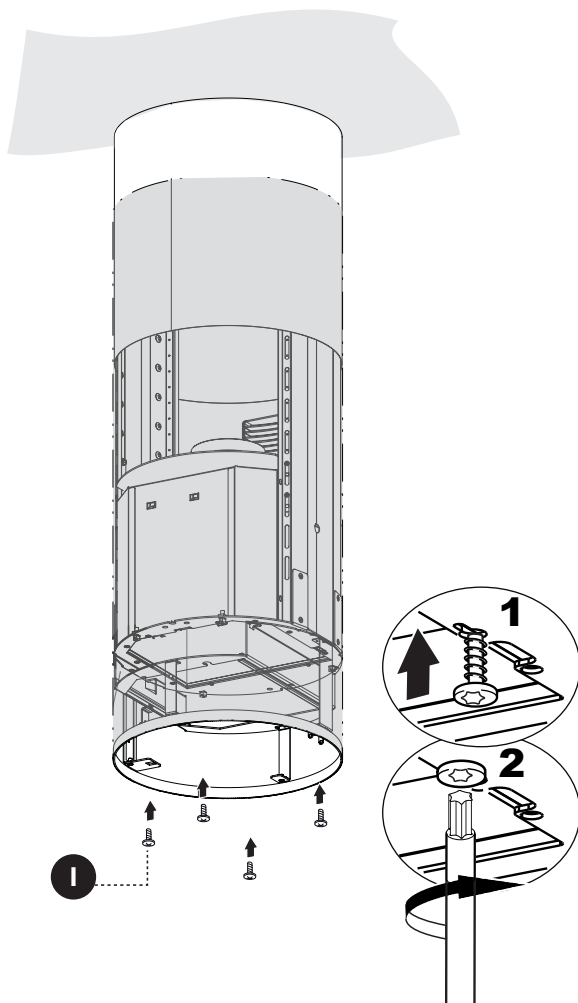
- Retire los filtros de grasa empujando la manija hacia atrás y coloque la chimenea desde abajo.




Destornillador Phillips



- Use 4 tornillos **I** para fijar la chimenea al bastidor en la parte inferior, no apriete los tornillos
- Acople la chimenea al bastidor insertando los tornillos **I** en los orificios correspondientes y gire a la izquierda y apriete los tornillos.



| | | |
|----------|-------------------------------|---|
| I | Tornillos Torx (1/4" x 9/16") |  |
|----------|-------------------------------|---|

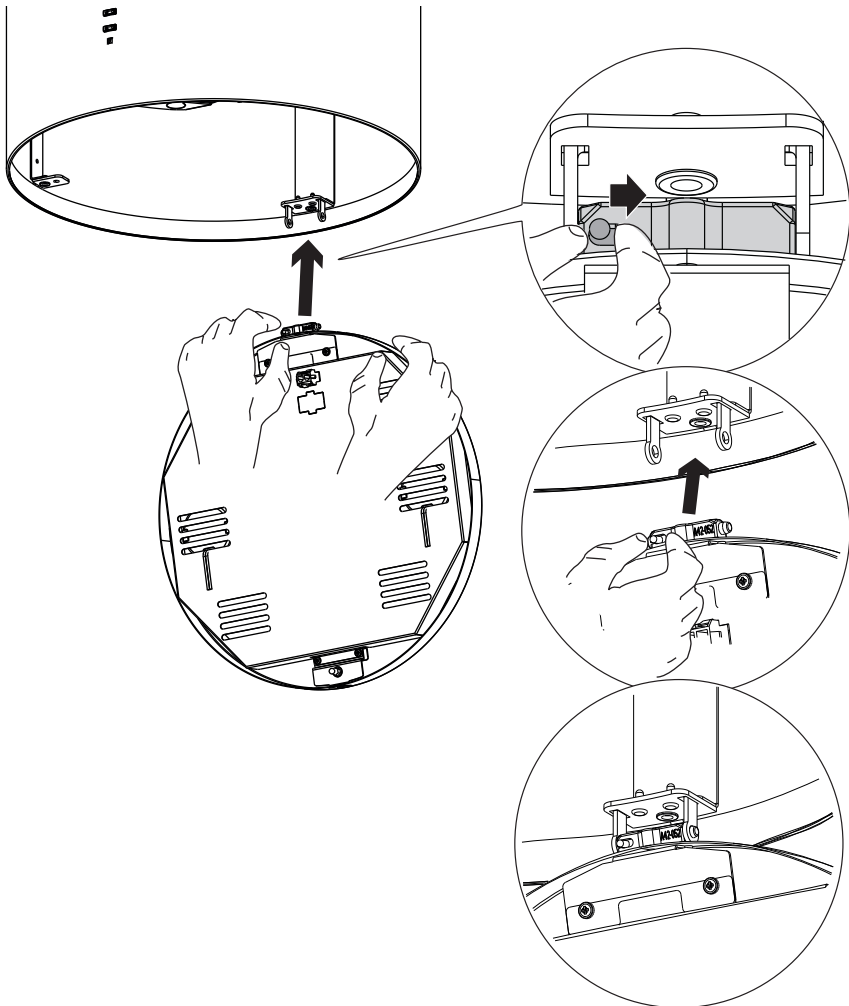
| | |
|---------------------|--|
| Destornillador Torx |  |
|---------------------|--|

INSTALACIÓN DEL PANEL DE CONFORT

12

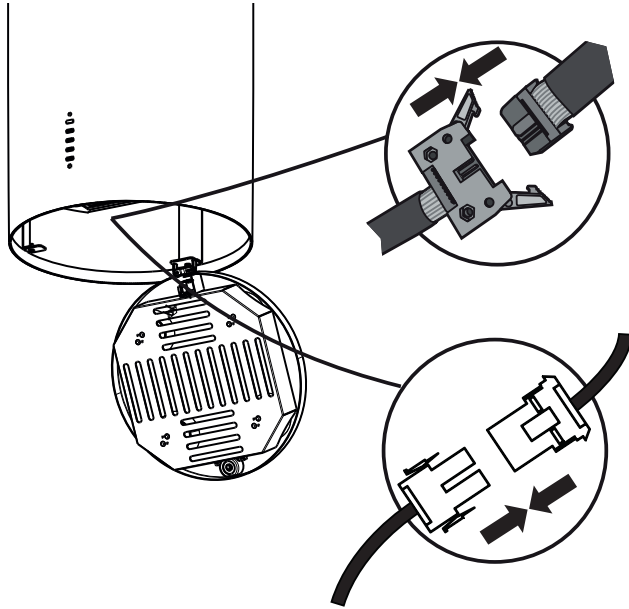
INSTALAR EL PANEL DE CONFORT

1. Instale el panel de confort en la parte inferior de la campana.
2. Deslice el pasador de fijación para instalar la bisagra en su lugar y bloquee el panel en su lugar empujando el panel hacia arriba en la ranura.



13**ACOPLAR EL CONECTOR**

1. Luego conecte los cables de control e iluminación dentro de la campana sobre los filtros de grasa.

**Atención:**

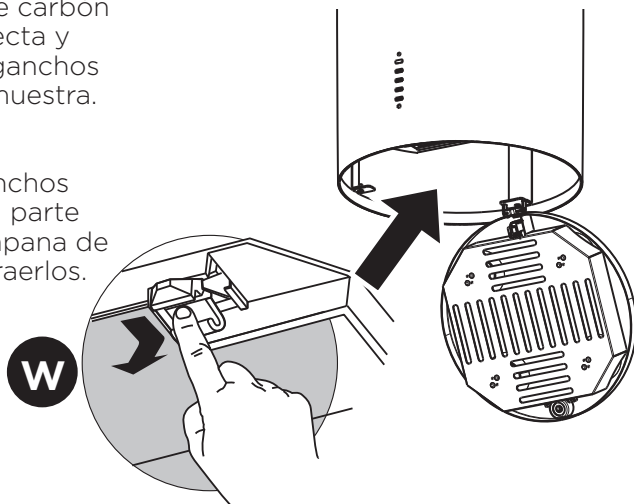
- Encienda la fuente de alimentación.
- Encienda el ventilador y las luces.
- Si la campana no funciona, compruebe que el disyuntor no se haya disparado o que el fusible de la casa no esté fundido.
- Si la unidad sigue sin funcionar, desconecte la fuente de alimentación y verifique que las conexiones de cableado se hayan realizado correctamente.

14

SOLO PARA LA OPCIÓN DE RECIRCULACIÓN SIN CONDUCTOS

Coloque un filtro de carbón en la posición correcta y bloquéelo con los ganchos del filtro como se muestra.

Desbloquee los ganchos de fijación (hacia la parte posterior de la campana de inserción) para extraerlos.

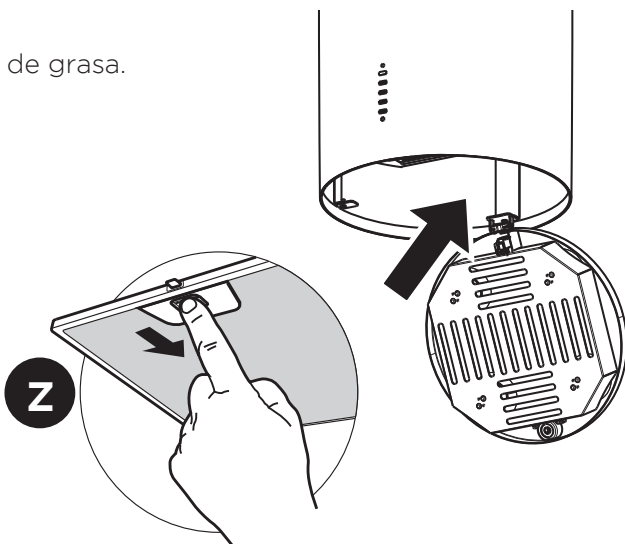


Accesorio de filtro de carbón activado requerido - sku # - FILTER2 (se compra por separado)



15

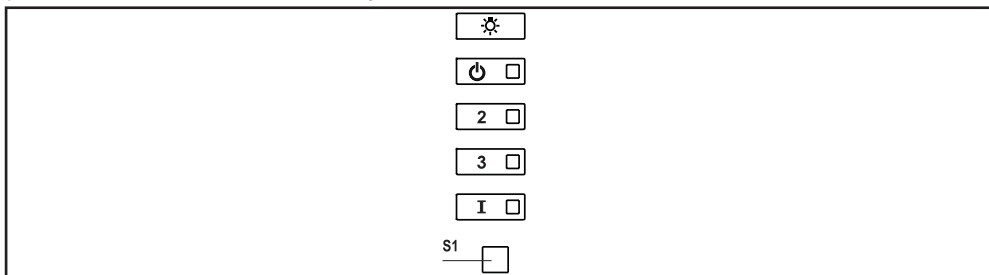
Reemplace el filtro de grasa.



OPERACIÓN DE LOS CONTROLES

PARA MEJORES RESULTADOS

Encienda la campana extractora varios minutos antes de cocinar para desarrollar un flujo de aire adecuado. Deje que la campana extractora funcione durante varios minutos después de que se complete la cocción para eliminar todo el humo y los olores de la cocina.



| Botón | Función | Led |
|-------|---|--------------|
| | Enciende / apaga las luces a máxima potencia. | - |
| | Mantenga presionado el botón durante aproximadamente 2 segundos para encender / apagar las luces del atenuador. | - |
| | Enciende / apaga el motor a la velocidad uno. | ON |
| | Enciende el motor a la velocidad dos. | ON |
| | Alarma de filtro de carbón activado - Mantenga presionado el botón durante aproximadamente 5 segundos, con toda la campana apagada (motor y luces) para encender la alarma. El LED correspondiente parpadea dos veces para confirmar. Para apagar la alarma, presione el botón nuevamente y manténgalo presionado durante al menos 5 segundos. El LED correspondiente parpadea una vez. | |
| | Enciende el motor a la velocidad tres. | ON |
| | Alarma de filtro de grasa y alarma de filtro de carbón Para restablecer la alarma: presione y mantenga presionado el botón durante aproximadamente 3 segundos, con la campana apagada (Motores y Luces), y hasta que el LED S1 parpadee tres veces. | |
| | Enciende el motor a velocidad INTENSIVA. Esta velocidad está programada para funcionar durante 6 minutos. Al final de este tiempo, el sistema regresa automáticamente a la velocidad establecida anteriormente. Si se activa con el motor apagado, la campana cambiará a OFF al final del tiempo. | ON |
| | Señala la alarma de saturación del filtro de grasa metálico, lo que indica que es necesario lavar los filtros. La alarma se activa después de que la campana ha estado en funcionamiento durante 100 horas de trabajo. | ON |
| | Cuando esto se activa, señala: La alarma de saturación del filtro de carbón activado, que indica que se debe cambiar el filtro; Los filtros de grasa metálicos también deben lavarse. La alarma de saturación del filtro de carbón activo entra en funcionamiento después de que la campana ha estado trabajando durante 200 horas. | Destellando. |

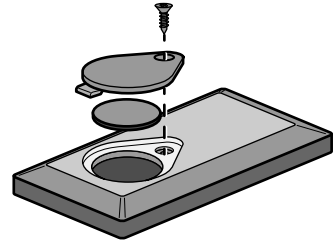
CONTROL REMOTO (OPCIONAL)

Instalación de la batería

- El control remoto funciona con una batería tipo CR2032 de 3 V (no incluida).
- Retire el tornillo e instale la batería.
- Verifique que la batería esté instalada con el lado "+" hacia arriba.

Precaución:

- No coloque el mando remoto cerca de fuentes de calor.
- No deseche las baterías con la basura normal, deben colocarse en contenedores específicos.
- Apriete bien la tapa de la batería.



LIMPIEZA DEL ACERO INOXIDABLE

Limpeza de superficies exteriores:

Tenga en cuenta que los abrasivos y los agentes de limpieza pueden rayar los acabados de la campana extractora y no deben usarse para limpiar superficies acabadas.

Instrucciones de limpieza del acabado de acero inoxidable:

Limpe las superficies exteriores con un limpiador de acero inoxidable disponible en el mercado.

CUIDADO DE LOS FILTROS

LIMPIEZA DE LOS FILTROS DE GRASA METÁLICOS

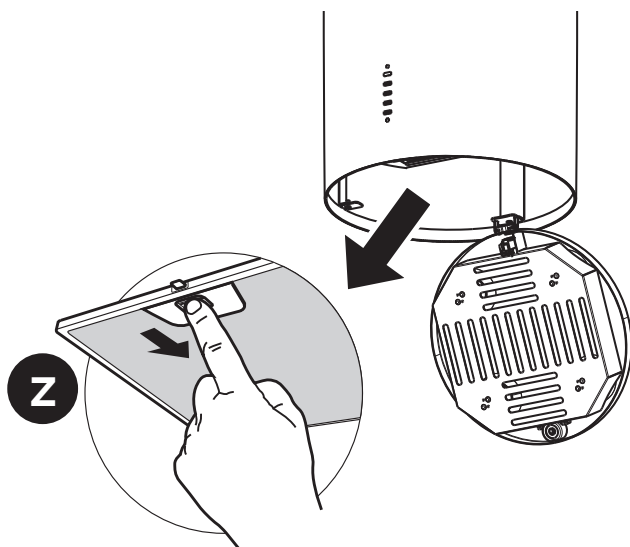
Estos pueden lavarse en el lavavajillas y deben limpiarse cada vez que se enciende el led **S1** o al menos una vez cada 2 meses de uso, o con mayor frecuencia si el uso es particularmente intenso.

Restablecer la alarma del filtro de grasa

1. Apague las luces y la campana.
2. Presione **3** y mantenga presionado durante al menos 3 segundos, hasta que el LED parpadee tres veces como confirmación.

Limpieza de los filtros

1. Abra el Panel.
2. Retire los filtros de a uno por vez, empujándolos hacia la parte posterior de la unidad y al mismo tiempo tirando hacia abajo.
3. Lave los filtros sin doblarlos y déjelos secar completamente antes de volver a colocarlos. (Si la superficie del filtro cambia de color a medida que pasa el tiempo, esto no tendrá ningún efecto en la eficacia del filtro).
4. Reemplace los filtros de grasa, teniendo cuidado de asegurarse de que la manija mire hacia adelante.
5. Seque completamente los filtros antes de volver a instalarlos. De lo contrario, la grasa sobrante puede calentarse y gotear.
6. Cierre el panel.



REEMPLAZO DEL FILTRO DE CARBÓN ACTIVADO

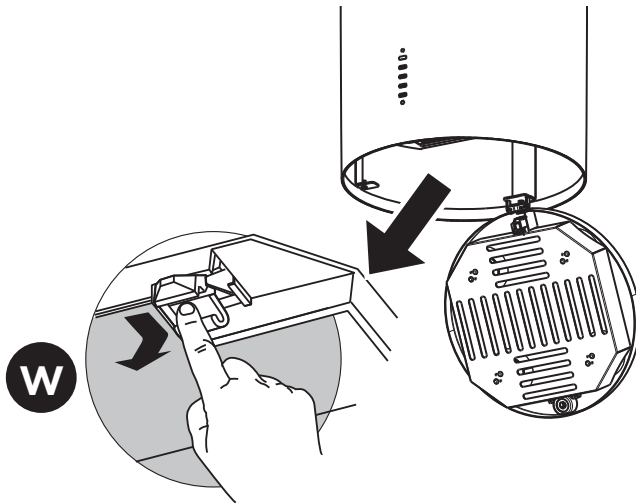
No pueden lavarse ni regenerarse, y deben cambiarse cuando el LED **S1** comienza a parpadear, o al menos una vez cada 4 meses. La señal de alarma, si se ha activado, solo aparece cuando se enciende el ventilador de la campana.

Restablecer la alarma del filtro de carbón

1. Apague las luces y la campana.
2. Presione **3** y mantenga presionado durante al menos 3 segundos, hasta que el LED parpadee tres veces como confirmación.

Limpieza de los filtros

1. Abra el Panel.
2. Retire los filtros de a uno por vez, empujándolos hacia la parte posterior de la unidad y al mismo tiempo tirando hacia abajo.
3. Retire el filtro de carbón saturado liberando los ganchos de fijación.
4. Coloque el nuevo filtro y ajústelo en su posición correcta.
5. Reemplace, teniendo cuidado de asegurarse de que la manija mire hacia adelante.
6. "Cuando se usa en el modo de recirculación, para reducir el riesgo de incendio y descarga, utilice únicamente el kit de conversión Modelo FILTER 2".
7. Cierre el panel.



REEMPLAZO DE BOMBILLAS

Las luces LED deben ser reemplazadas por el servicio autorizado por la fábrica Faber.

GARANTÍA

GARANTÍA Y SERVICIO AL CONSUMIDOR FABER

Todos los productos Faber están garantizados contra cualquier defecto de materiales o mano de obra para el comprador original por un período de 1 año a partir de la fecha de compra original (requiere prueba de compra). Esta garantía cubre mano de obra y piezas de repuesto. Faber, a su elección, puede reparar o reemplazar el producto o componentes necesarios para restaurar el producto en buenas condiciones de trabajo. Para obtener el servicio de garantía, póngase en contacto con el distribuidor de quien adquirió la campana extractora o con el distribuidor local de Faber. Si no puede identificar a un distribuidor local de Faber, comuníquese con nosotros al (508) 358-5353 para obtener el nombre de un distribuidor en su área.

Lo siguiente no está cubierto por la garantía de Faber:

1. Llamadas de servicio para corregir la instalación de su campana extractora, para instruirle sobre cómo usar su campana extractora, para reemplazar o reparar fusibles de la casa o para corregir el cableado de la casa o la plomería.
2. Llamadas de servicio para reparar o reemplazar las bombillas, fusibles o filtros de la campana extractora. Estas partes de consumibles están excluidas de la cobertura de la garantía.
3. Reparaciones, cuando su campana extractora se utiliza para uso doméstico distinto al normal.
4. Daños resultantes de accidente, alteración, mal uso, abuso, incendio, inundación, eventos naturales, instalación incorrecta, instalación no conforme a los códigos eléctricos o de plomería o la documentación de Faber, o uso de productos no aprobados por Faber.
5. Piezas de repuesto o costos de mano de obra de reparación para unidades operadas fuera de los Estados Unidos o Canadá, incluyendo cualquier campana de cocina Faber no aprobada por UL o C-UL.
6. Reparaciones a la campana resultantes de modificaciones no autorizadas a la misma.
7. Gastos de viaje y transporte para el servicio del producto en lugares remotos, y gastos de recogida y entrega. Las campanas de cocina Faber deben ser reparadas en el hogar.

ESTA GARANTÍA NO PERMITE LA RECUPERACIÓN DE DAÑOS INCIDENTALES O CONSECUENTES, INCLUYENDO, SIN LIMITACIÓN, DAÑOS DIRECTOS, INDIRECTOS, INCIDENTALES, ESPECIALES O CONSECUENTES, LESIONES PERSONALES O MUERTE INCORRECTA O BENEFICIOS PERDIDOS. LA GARANTÍA DE FABER SE LIMITA A LAS CONDICIONES ANTERIORES Y AL PERÍODO DE GARANTÍA ESPECIFICADO AQUÍ Y ES EXCLUSIVA. EXCEPTO DADO LO EXPRESAMENTE ESPECIFICADO EN ESTE ACUERDO, FABER RENUNCIA A TODAS LAS CONDICIONES, REPRESENTACIONES Y GARANTÍAS EXPRESAS O IMPLÍCITAS INCLUYENDO, SIN LIMITACIÓN, CUALQUIER GARANTÍA IMPLÍCITA DE COMERCIABILIDAD O ADECUACIÓN PARA UN PROPÓSITO PARTICULAR.

Esta garantía le otorga derechos legales específicos que pueden variar de estado a estado.

Modelo: _____ Número de serie _____

