

 **FABER**

CLASSICA PLUS

Installation Instructions
Use and Care Information

Instructions d'installation
Utilisez et d'entretien

Instrucciones de instalación
Información de uso y cuidado

CLPL30SSV2
CLPL36SSV2

CONTENTS

Section	Page
Important safety instructions	3
Range Hood dimensions	6
Installation height requirements	7
Parts	8
Tools needed	9
Ducted venting method options	10
Mounting Range Hood on wall	11
Non Ducted Recirculation Option	17
Connecting electricity	18
Operating the controls	19
Caring for filters	20
Replacing lighting	21
Wiring diagram	22
Warranty	23

IMPORTANT SAFETY INSTRUCTIONS

READ AND SAVE THESE INSTRUCTIONS BEFORE YOU START INSTALLING THIS RANGE HOOD

WARNING: - TO REDUCE THE RISK OF A RANGE TOP GREASE FIRE:

- a) Never leave surface units unattended at high settings. Boilovers cause smoking and greasy spillovers that may ignite. Heat oils slowly on low or medium setting.
- b) Always turn hood ON when cooking at high heat or when flambeing food (i.e. Crepes Suzette, Cherries Jubilee, Peppercorn Beef Flambé).
- c) Clean ventilating fans frequently. Grease should not be allowed to accumulate on fan or filter.
- d) Use proper pan size. Always use cookware appropriate for the size of the surface element.

WARNING: - TO REDUCE THE RISK OF INJURY TO PERSONS IN THE EVENT OF A RANGE TOP GREASE FIRE, OBSERVE THE FOLLOWING*:

- a) SMOTHER FLAMES with a close-fitting lid, cookie sheet, or metal tray, then turn off the burner. BE CAREFUL TO PREVENT BURNS. If the flames do not go out immediately EVACUATE AND CALL THE FIRE DEPARTMENT.
- b) NEVER PICK UP A FLAMING PAN - You may be burned.
- c) DO NOT USE WATER, including wet dishcloths or towels - a violent steam explosion will result.
- d) Use an extinguisher ONLY if:
 1. You know you have a Class ABC extinguisher, and you already know how to operate it.
 2. The fire is small and contained in the area where it started.
 3. The fire department is being called.
 4. You can fight the fire with your back to an exit.

* Based on "Kitchen Firesafety Tips" published by NFPA

WARNING - TO REDUCE THE RISK OF FIRE OR ELECTRIC SHOCK, do not use this fan with any solid-state speed control device.

WARNING - TO REDUCE THE RISK OF FIRE, ELECTRICAL SHOCK, OR INJURY TO PERSONS, OBSERVE THE FOLLOWING:

1. Use this unit only in the manner intended by the manufacturer. If you have any questions, contact the manufacturer.
2. Before servicing or cleaning unit, switch power off at service panel and lock the service disconnecting means to prevent power from being switched on accidentally. When the service disconnecting means cannot be locked, securely fasten a prominent warning device, such as a tag, to the service panel.

CAUTION: For General Ventilating Use Only. Do Not Use To Exhaust Hazardous or Explosive Materials and Vapors.

WARNING - TO REDUCE THE RISK OF FIRE, ELECTRICAL SHOCK, OR INJURY TO PERSONS, OBSERVE THE FOLLOWING:

1. Installation Work And Electrical Wiring Must Be Done By Qualified Person(s) In Accordance With All Applicable Codes And Standards, Including Fire-Rated Construction.
2. Sufficient air is needed for proper combustion and exhausting of gases through the flue (chimney) of fuel burning equipment to prevent backdrafting. Follow the heating equipment manufacturer's guideline and safety standards such as those published by the National Fire Protection Association (NFPA), and the American Society for Heating, Refrigeration and Air Conditioning Engineers (ASHRAE), and the local code authorities.

- 3. When cutting or drilling into wall or ceiling, do not damage electrical wiring and other hidden utilities.**
- 4. Ducted fans must always be vented to the outdoors.**

ALL WALL AND FLOOR OPENINGS WHERE THE RANGE HOOD IS INSTALLED MUST BE SEALED.

This Range Hood requires at least 24" of clearance between the bottom of the Range Hood and the cooking surface or countertop. This hood has been approved by UL at this distance from the cooktop.

This minimum clearance may be higher depending on local building codes. For gas cooktops and combination ranges, a minimum of 30" is recommended and may be required.

Overhead cabinets on both sides of this unit must be a minimum of 18" above the cooking surface or countertop. Consult the cooktop or range installation instructions given by the manufacturer before making any cutouts.

MOBILE HOME INSTALLATION The installation of this Range Hood must conform to the Manufactured Home Construction and Safety Standards, Title 24 CFR, Part 3280 (formerly Federal Standard for Mobile Home Construction and Safety, Title 24, HUD, Part 280). See Electrical Requirements"

VENTING REQUIREMENTS

Determine which venting method is best for your application. Ductwork can extend either through the wall or the roof.

The length of the ductwork and the number of elbows should be kept to a minimum to provide efficient performance. The size of the ductwork should be uniform. Do not install two elbows together. Use duct tape to seal all joints in the ductwork system. Use caulking to seal exterior wall or floor opening around the cap.

Flexible ductwork is not recommended. Flexible ductwork creates back pressure and air turbulence that greatly reduces performance.

Make sure there is proper clearance within the wall or floor for exhaust duct before making cutouts. Do not cut a joist or stud unless absolutely necessary. If a joist or stud must be cut, then a supporting frame must be constructed.

WARNING - To Reduce The Risk Of Fire, Use Only Metal Ductwork.

CAUTION - To reduce risk of fire and to properly exhaust air, be sure to duct air outside - Do not vent exhaust air into spaces within walls or ceilings or into attics, crawl spaces, or garages.

Cold Weather installations

An additional back draft damper should be installed to minimize backward cold air flow and a non-metallic thermal break should be installed to minimize conduction of outside temperatures as part of the vent system. The damper should be on the cold air side of the thermal break. The break should be as close as possible to where the vent system enters the heated portion of the house.



WARNING

- Venting system **MUST** terminate outside the home.
- **DO NOT** terminate the ductwork in an attic or other enclosed space.
- **DO NOT** use 4" laundry-type wall caps.
- Flexible-type ductwork is not recommended.
- **DO NOT** obstruct the flow of combustion and ventilation air.
- Failure to follow venting requirements may result in a fire.

ELECTRICAL REQUIREMENTS

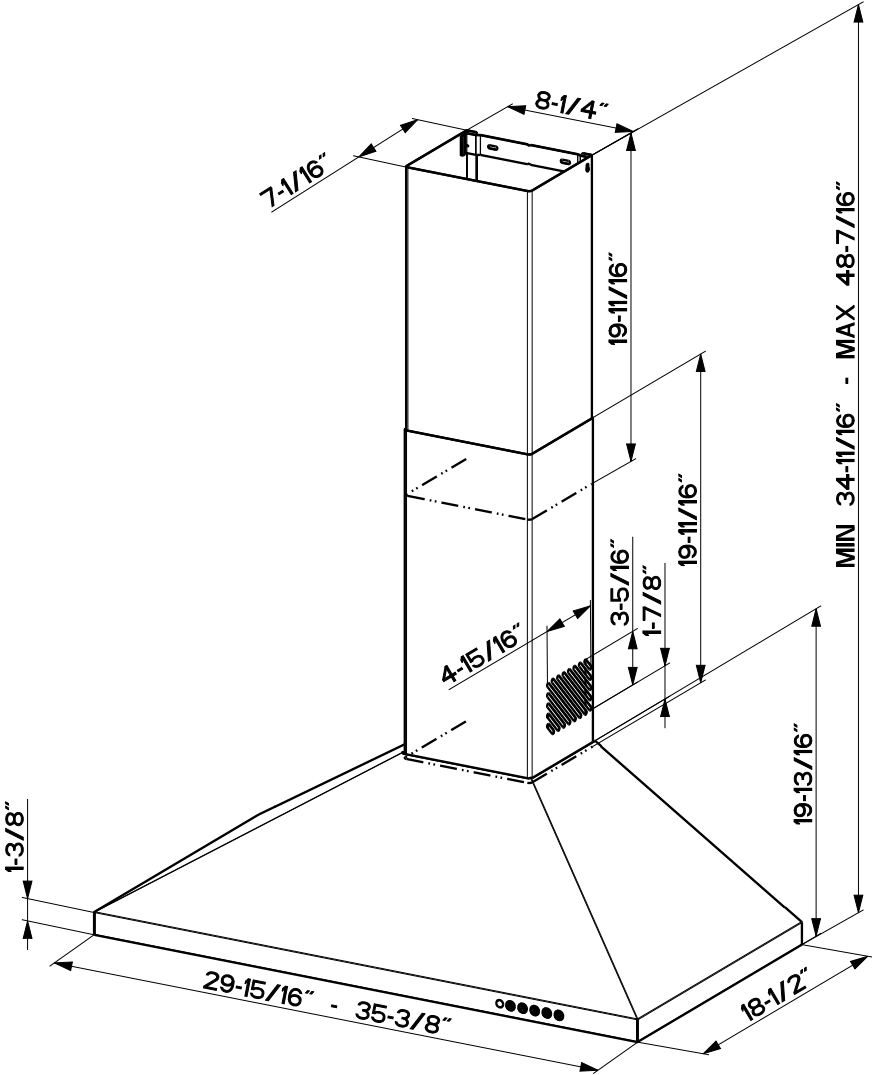
A 120 volt, 60 Hz AC-only electrical supply is required on a separate 15 amp fused circuit. A time-delay fuse or circuit breaker is recommended. The fuse must be sized per local codes in accordance with the electrical rating of this unit as specified on the serial/rating plate located inside the unit near the field wiring compartment.



WARNING

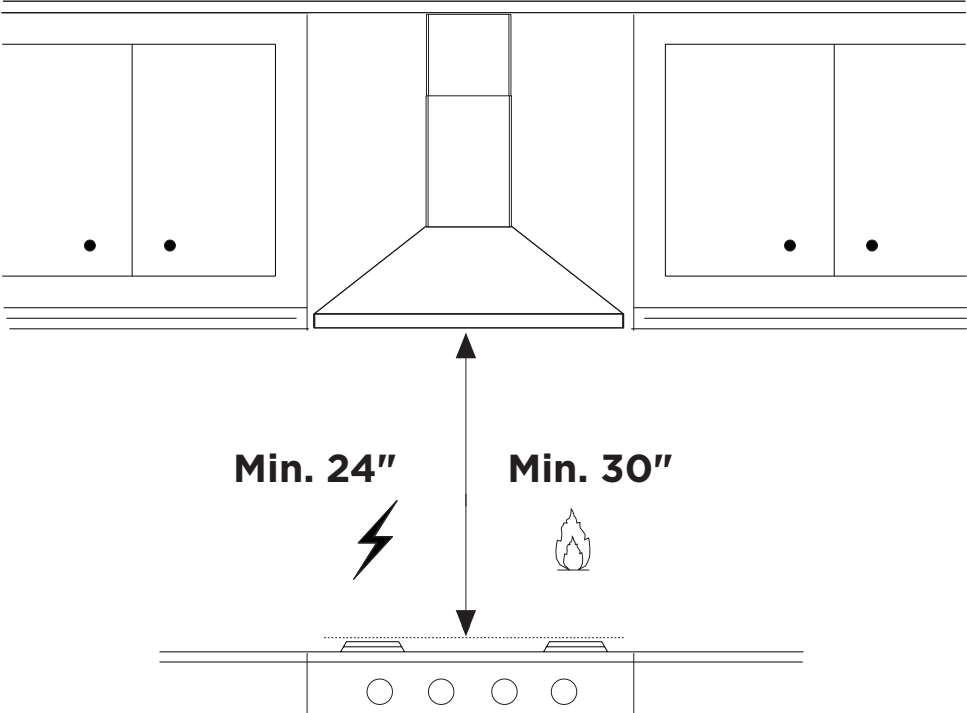
- Electrical ground is required on this Range Hood.
- If cold water pipe is interrupted by plastic, nonmetallic gaskets or other materials, DO NOT use for grounding.
- DO NOT ground to a gas pipe.
- DO NOT have a fuse in the neutral or grounding circuit. A fuse in the neutral or grounding circuit could result in electrical shock.
- Check with a qualified electrician if you are in doubt as to whether the Range Hood is properly grounded.
- Failure to follow electrical requirements may result in a fire.

RANGE HOOD DIMENSIONS




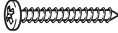


INSTALLATION HEIGHT REQUIREMENTS

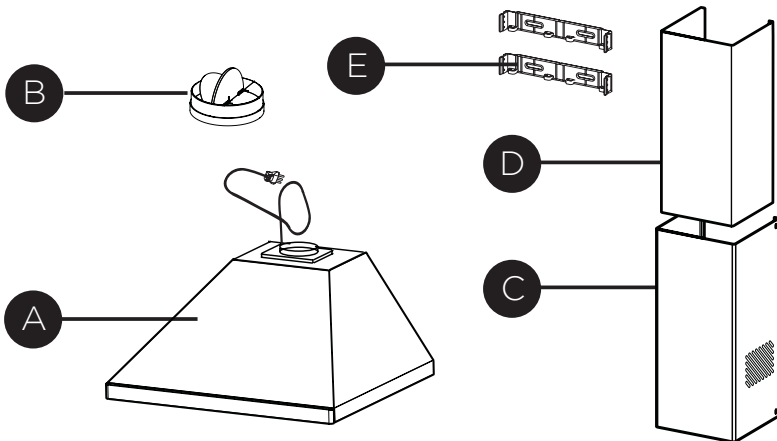
MIN. 24" OVER ELECTRIC / MIN. 30" OVER GAS



PARTS



PARTS INCLUDED

REF.	PART	
A	Hood body - Includes Controls, Light, Filters, Blower	1
B	Damper	1
C	Lower Chimney	1
D	Upper Chimney	1
E	Chimney wall brackets	2
<hr/>		
REF	PART	
F	Pozi Screws (3/16" x 1 3/4")	  8
G	Pozi Screws (1/8" x 7/16")	  4



PARTS (cont.)

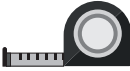


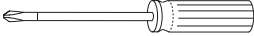

PARTS NEEDED

PART	
6" Round Metal Ductwork	
Drywall plugs or other suitable wall fasteners based on your installation.	
Wall Cap/Roof Cap Needs to be purchased separately	

ACCESSORIES AVAILABLE

ACCESSORY	SKU#
DUCTLESS KIT CLAS (DIVERTER + CHARCOAL)	DUCTCLPL
CHARCOAL FILTER KIT	FILTER1
CHARCOAL FILTER KIT WASHABLE LONG LASTING	FILTERILL2
HIGH CEILING KIT	HIGHCLPL
REMOTE CONTROL	REMORIG
FIXED WIRING BOX	WIREBOX

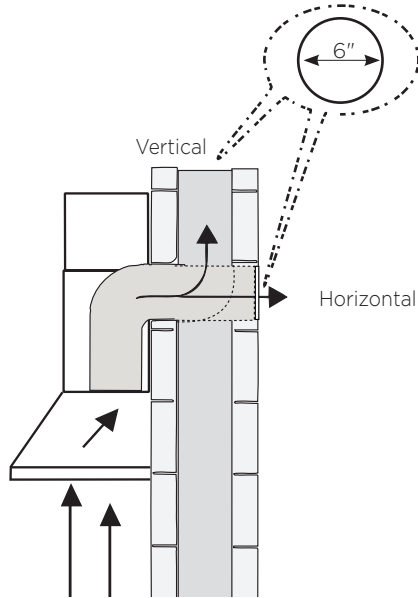
TOOLS NEEDED

TOOL	
Tape Measure	
Pencil	
Electric Drill with 5/16" Drill Bit	
Phillips Screwdriver	
Work gloves	

DUCTED VENTING METHOD OPTIONS

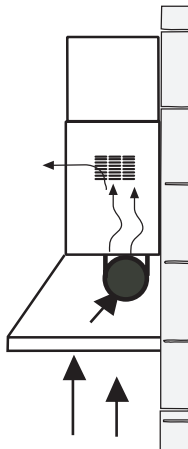
DUCTED WITH 7" ROUND OUTLET:

- Vertical
- Horizontal



NON DUCTED - RECIRCULATION OPTION

Requires purchase of
Activated Charcoal
Accessory

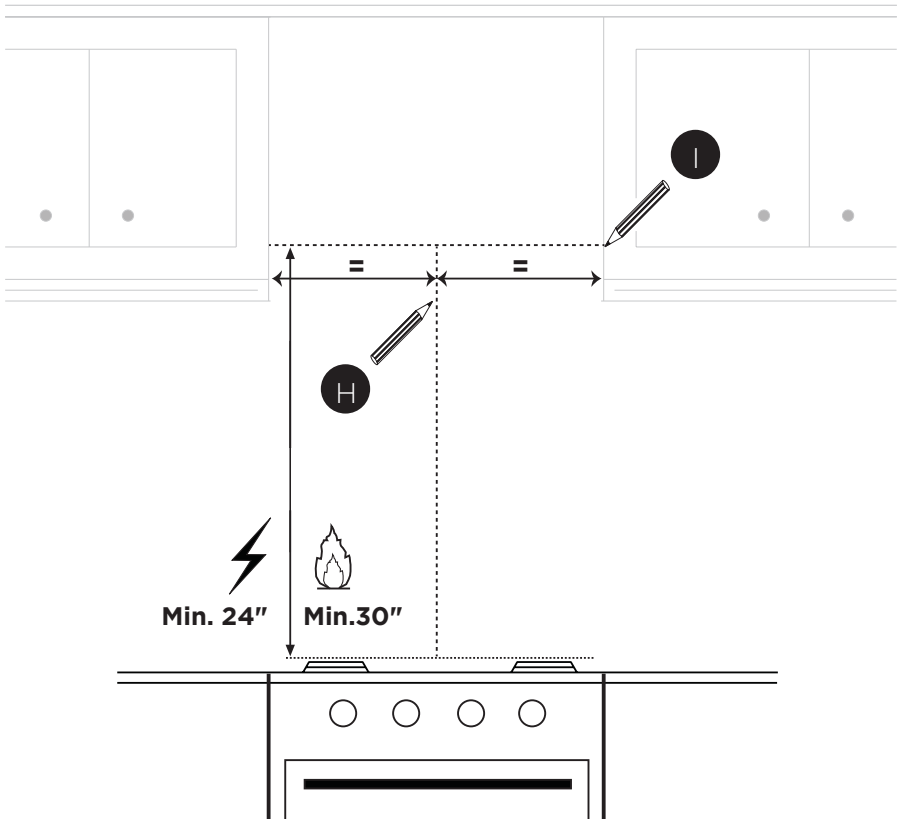


MOUNTING RANGE HOOD ON WALL

1 DRAW POSITIONING LINES

Draw a vertical line **H** from the supporting back wall to the ceiling or upper limit, at the center of the area in which the hood will be installed.

Draw a horizontal line **I** from where the bottom edge of the hood will be located, to a minimum of 24" above an electric cooking surface and 30" above a gas cooking surface.



MIN. 24" OVER ELECTRIC/MIN. 30" OVER GAS

MOUNTING RANGE HOOD ON WALL

2

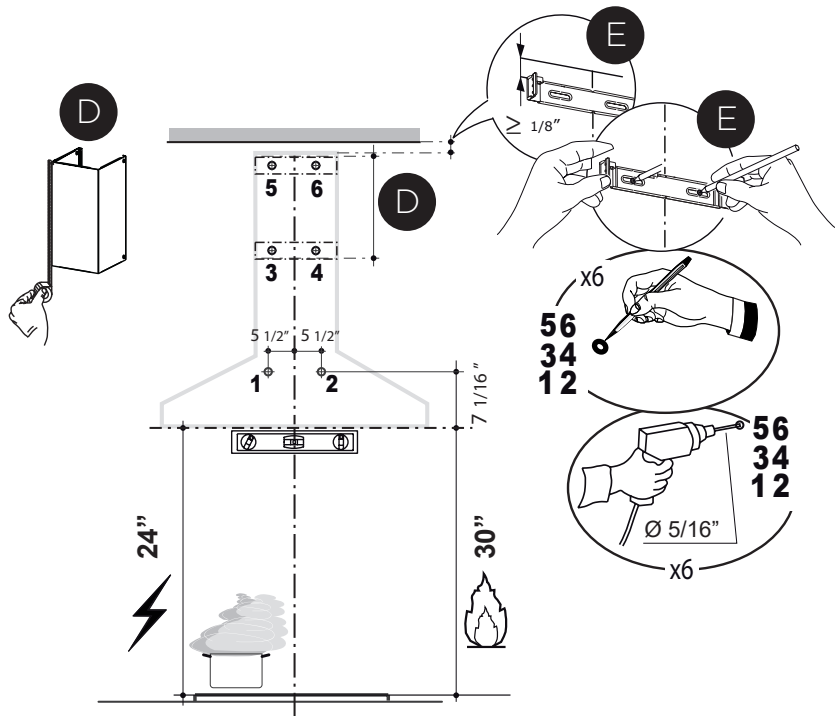
Draw a horizontal line where indicated at the bottom edge of the vent hood at the desired height above the cooking surface.

Place a bracket **E** on the wall as shown about 1/8" from the ceiling or upper limit, aligning the centers(notch) with the vertical reference line and mark the wall at the centers of the holes in the bracket.

Place the second bracket **E** on the wall as shown, below the first bracket, at the height of the upper chimney section **D** supplied and aligning the centers(notch) with the vertical line.

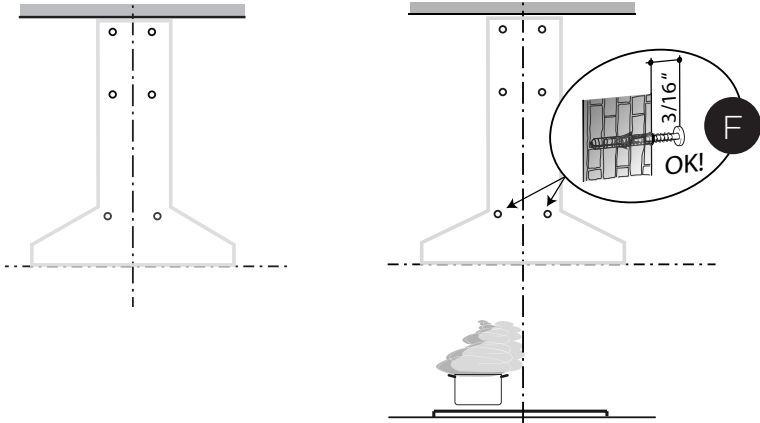
Mark the wall at the centers of the holes in the bracket and mark the point 1 and 2 for the Hood Body installation as show (7 1/16" from the horizontal line and 5 1/2" from the vertical line).

Drill \varnothing 5/16" holes at all the centers points marked (point 1,2,3,4,5,6) as shown.

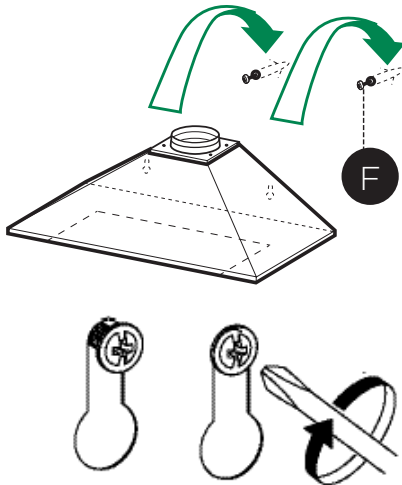




MOUNTING THE RANGE HOOD

- 3** Install wall plugs if needed (purchase separately).
Partially insert the two screws supplied **F**, into the wall as shown onto holes 1 and 2.



- 4** Hang the hood on the wall by pushing the screws through the 2 designated key holes on the back of the hood. Tighten the screws.



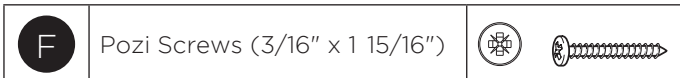
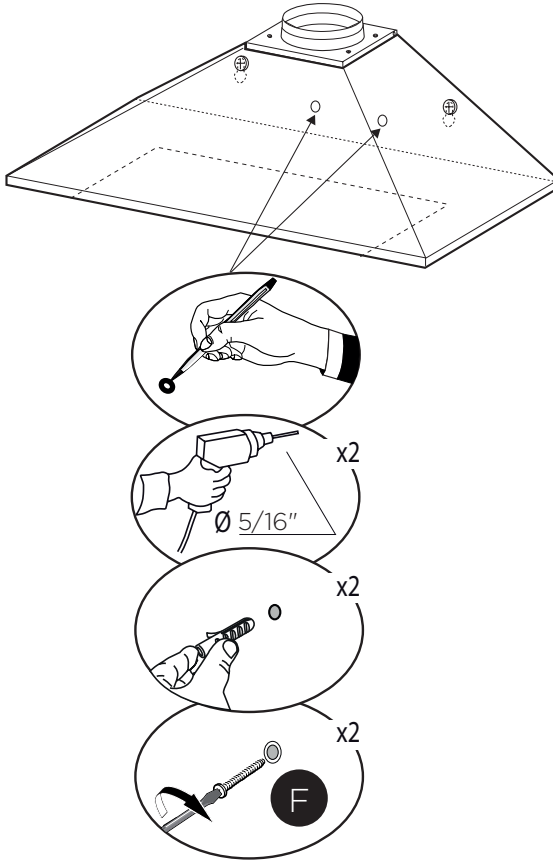
F	Pozi Screws (3/16" x 1 15/16")		
----------	--------------------------------	---	---

Pozi Screwdriver	
------------------	---

MOUNTING THE RANGE HOOD

5

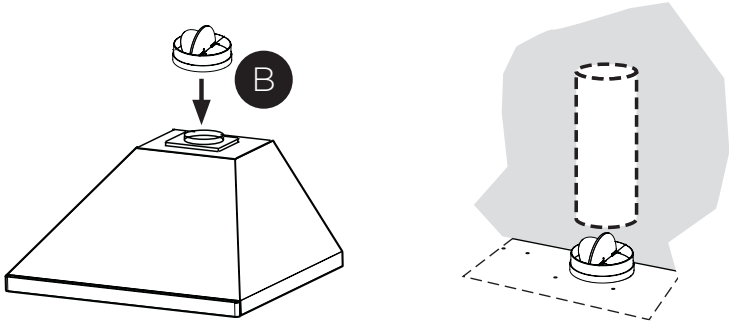
From inside the hood, mark the holes for the two security holes, drill a $5/16''$ x 2 where marked. Insert 2 wall plugs into the holes and tightly screw 2 screws **F**.



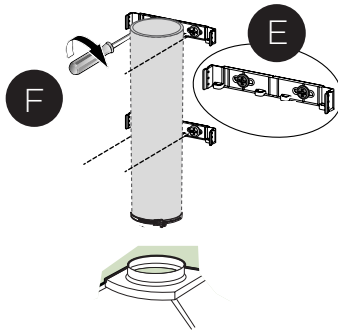
MOUNTING THE RANGE HOOD

6 Vertical or Horizontal Ducting Installation

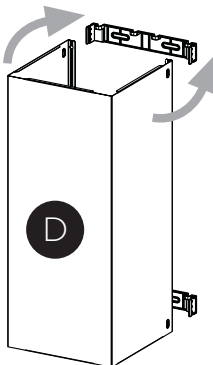
Install Damper **B** that is included with the Hood before connecting to the ductwork. Install Roof or Wall Cap purchased separately. Connect the 6" metal ductwork to the Roof or Wall Cap and then attach ductwork.



7 Attach the 2 chimney brackets **E** using 4 screws **F** supplied.

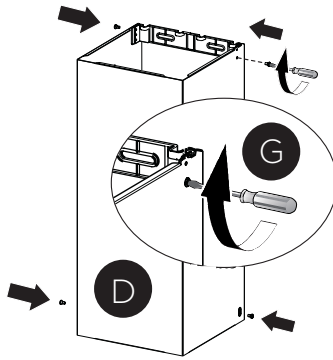


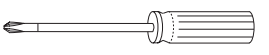

8 Slightly widen the two sides of the upper chimney **D** and hook them behind the brackets **E** making sure that they are well seated.



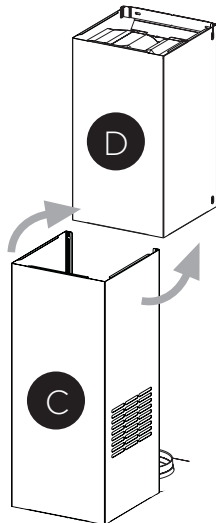
MOUNTING THE RANGE HOOD

- 9** Secure the sides to the brackets **E** by using the 4 screws **G**.



Pozi Screwdriver	
G Pozi Screws (1/8" x 7/16")	

- 10** Slightly widen the two sides of the lower chimney and hook them between the upper section and the wall, making sure that they are properly housed.

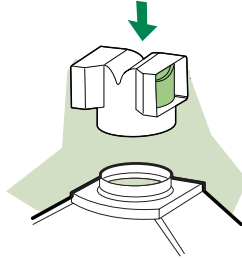


NON DUCTED RECIRCULATION OPTION

11

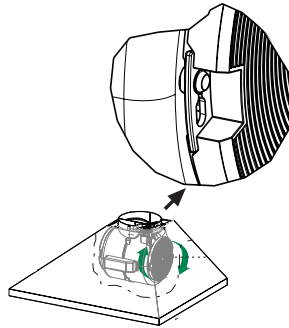
Non-Ducted Recirculation Option

Only for the recirculation version, connect the ductless diverter onto the top of the hood body. (purchased separately)



12

Attach each charcoal filter to the black grid on each side of the blower. Press the charcoal filter tightly to the black grid on the blower side and rotate the filter clockwise (towards the front of the hood) until it locks into place. Turn counterclockwise (towards the back of the hood) to remove.



Required Activated Charcoal Filter
Accessory - sku # - FILTER1
Long Lasting Activated Charcoal
Filter Accessory - sku # FILTER1LL
(purchased separately)



CONNECTING ELECTRICITY

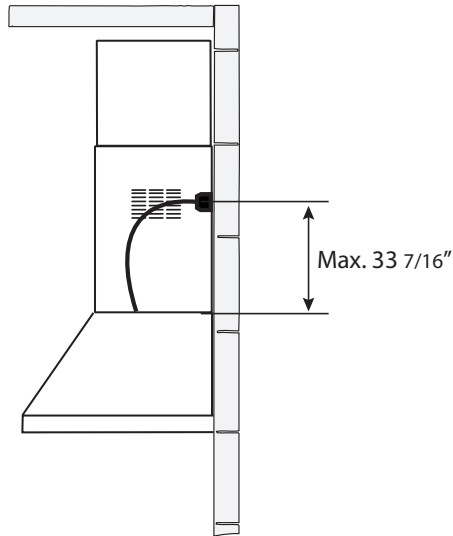
1 ELECTRICAL INSTALLATION WITH CONNECTION CABLE

GROUNDING INSTRUCTIONS This appliance must be grounded. In the event of an electrical short circuit, grounding reduces the risk of electric shock by providing an escape wire for the electric current. This appliance is equipped with a cord having a grounding wire with a grounding plug. The plug must be plugged into an outlet that is properly installed and grounded.

WARNING - Improper grounding can result in a risk of electric shock.

Consult a qualified electrician if the grounding instructions are not completely understood, or if doubt exists as to whether the appliance is properly grounded.

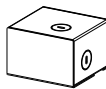
Do not use an extension cord. If the power supply cord is too short, have a qualified electrician install an outlet near the appliance.



ELECTRICAL INSTALLATION WITH OPTIONAL WIRING BOX

For Permanent wiring Installation-Use only with Listed rangehood Wiring Box kit sku # WIREBOX, manufactured by Faber.



Direct Connect Wiring Box
Accessory sku # WIREBOX
(purchased separately)



OPERATING THE CONTROLS

FOR BEST RESULTS

Start the Range Hood several minutes before cooking to develop proper airflow. Allow the Range Hood to operate for several minutes after cooking is complete to clear all smoke and odors from the kitchen.

Button	Function
	Fan Off Button: Turn the blower Off. The fan can be operated by pressing any of the fan setting buttons. Hold down this button for 2 seconds to activate delayed off function which will keep the fan On for 15 minutes and automatically shut Off.
1	Fan Settings Buttons: Low Speed.
2	Fan Settings Buttons: Medium Speed.
3/i	Fan Settings Buttons: High Speed. Hold down the button for 2 seconds to activate the INTENSIVE SPEED, which is timed to run for 10 minutes. At the end of this time it will automatically return to the speed set before. Suitable to deal with maximum levels of cooking fumes.
	Light Button: On / Off for the LED lights. Press the LIGHT button to turn the light on, again to turn off.

NOTE: If your product has had a CFM adjustment, refer to the CFM adjustment manual for the information. Some motor speeds or functions may be reduced.

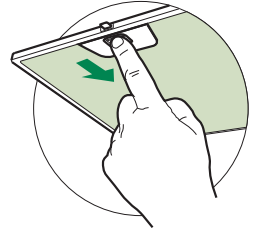
CARING FOR FILTERS

CLEANING METAL GREASE FILTERS

The metal grease filters can be cleaned in hot detergent solution or washed in the dishwasher.

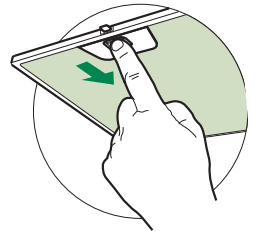
They should be cleaned every 2 months use, or more frequently if use is particularly heavy.

- 1 Remove the filter, pushing the lever towards the back of the unit while pulling downward.



- 2 Wash the filter without bending it. Leave it to dry thoroughly before replacing. If the surface of the filter changes color over time, efficiency will not be affected.

- 3 To replace the filter, push the filter up into position while holding the lever back, then release lever to lock in place.



NOTES:

- Cleaning in a dishwasher may dull the finish of the metal grease filters.
- Ensure that the filters are completely dry before installing them back into the Range Hood.

CLEANING EXTERIOR SURFACES

Please note, abrasives and scouring agents can scratch range hood finishes and should not be used to clean finished surfaces.

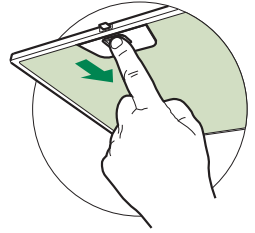
Stainless Steel finish cleaning instructions:

Clean exterior surfaces with a commercially available stainless steel cleaner.

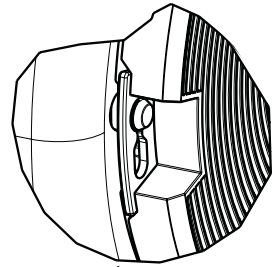
REPLACING ACTIVATED CHARCOAL FILTER

The Activated Charcoal Filters are not washable and cannot be regenerated, and must be replaced approximately every 4 months of operation, or more frequently with heavy usage.

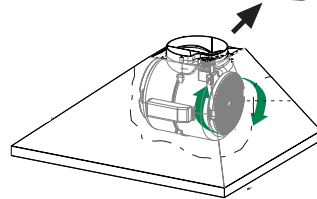
1 Remove the grease filters.



2 Remove the saturated charcoal filter by rotating it clockwise (backwards) until it unlocks from the motor housing and pull off sideways.



3 To re-insert each charcoal filter, place up against the side of the blower and push it inward. Then turn the charcoal filter clockwise (forward) until it fits into place.



REPLACING LIGHTING

LED lights must be replaced by Faber factory authorized service.

WARRANTY



Franke Home Solutions Warranty for Franke and Faber Branded Product Effective March 1, 2022

In the United States, Canada and Latin America, Franke warrants the Faber branded products from manufacturing defects in material and workmanship when purchased from a Franke or Faber Authorized Retailer pursuant to product-specific warranties detailed herein (each, a "Warranty" and collectively, the "Warranties"). The products must be properly installed, per Franke's installation instructions, in their original installation, and used in normal indoor residential kitchen applications. Any products or components which have been modified or altered from their original intended condition will void the Warranty. The Franke Warranties for Faber branded products are limited to the original purchaser and are non- transferrable. These Warranties do not include products purchased from non-Authorized Retailers, products that are obsolete or discontinued, or products that were previous display models. All issues with installed products are considered warranty claims and not subject to the Return Policy. Franke reserves the right to inspect any Franke / Faber product reported to be defective pursuant to a Warranty claim and the original installation prior to providing a replacement product and/or component. All decisions are final. In no situation shall the liability of Franke exceed the amount of the original purchase price.

The Warranties do not cover, and Franke shall not be liable for, any damage to products or components resulting from misuse or abuse, accidental damages, normal wear such as scuffs, scratches or finish reduction/fading, improper installation, abnormal usage, negligence, damage caused by improper maintenance or cleaning. Damage caused by impurities, corrosive chemicals or acts beyond Franke's control are not covered by any Warranty. Service calls to correct the installation of a range hood, instructions on how to operate a range hood, to replace or repair house fuses or to correct house wiring or plumbing are not covered by any Warranty. Service calls to repair or replace range hood light bulbs, fuses or filters and these consumable part costs are also excluded from Warranty coverage. Installation not in accordance with electrical or plumbing codes or Franke / Faber documentation are not covered by any Warranty. Replacement parts or repair labor costs for units operated outside the United States, Canada or Latin America, including any non-UL or C-UL or non-NOM approved Franke / Faber range hoods are excluded from Warranty coverage. Expenses for travel and transportation for service in remote locations and pickup and delivery charges are not covered by any Warranty. Franke / Faber range hoods should always be serviced in the home in their original installation.

Franke / Faber product replacements do not include liability for project delays. Product replacements are not guaranteed to be exact replacements. If the original product is not available at the time of the warranty claim, at Franke's option, the product replacements will be of similar size, material, and value. Any products or components which have been modified or altered, from its original intended condition will void the warranty.

The Warranties do not allow recovery of incidental or consequential damages such as loss of use, delay, property damage or other consequential damage, and Franke accepts no liability for such damages. Each Warranty is limited to the conditions set forth herein and to the applicable warranty period specified herein and is exclusive. EXCEPT FOR THE WARRANTIES SET FORTH HEREIN, FRANKE MAKES NO WARRANTY WHATSOEVER WITH RESPECT TO THE PRODUCTS, INCLUDING, BUT NOT LIMITED TO, (1) ANY WARRANTY OF MERCHANTABILITY, (2) WARRANTY OF FITNESS FOR A PARTICULAR PURPOSE, (3) WARRANTY OF TITLE, OR (4) WARRANTY AGAINST INFRINGEMENT OF INTELLECTUAL PROPERTY RIGHTS OF A THIRD PARTY, WHETHER EXPRESS OR IMPLIED BY LAW, COURSE OF DEALING, COURSE OF PERFORMANCE, USAGE OF TRADE OR OTHERWISE. LEGAL DISCLAIMER PLEASE

READ CAREFULLY. Franke Kitchen Systems LLC provides the above information to you as a public service to our customers. By accessing and using this information, you agree to the following and to comply with all applicable laws. If you do not agree with these terms and conditions, do not use this information. While we try to keep the information current, changes may have occurred since its creation. Contact your Regional Manager or Customer Service to verify information regarding Franke Kitchen Systems LLC programs and their use by you.

Franke / Faber Range Hood Limited Warranty:

Franke / Faber range hoods are warranted against any defect in materials or workmanship for the original purchaser for a period of two (2) years from the date of original purchase when used in standard residential indoor applications. This warranty covers labor and replacement parts. Franke, at its option, may repair or replace the product or components necessary to restore the product to good working condition.



This warranty supersedes all other warranties, expressed or implied. No employee, field sales representatives, or distribution persons are authorized to give any warranties on behalf of Franke Kitchen Systems, LLC

To make an installed product warranty claim please contact Franke at the provided contact information below. All warranty claims must include the following for processing:

1. Proof of purchase from Franke or Faber Authorized Retailer
2. Original purchaser's name, address (included city, state, zip), email address and phone number
3. Franke / Faber model and serial number
4. Date of installation
5. Description of the defect
6. Photos of the defect

In North America and Latin America:

Franke Home Solutions
Attn: Warranty Department
800 Aviation Parkway
Smyrna, TN 37167
HS-Warranty.US@Franke.com

Legal Entity:
Franke Kitchen Systems LLC

CONTENU

Section	Page
Consignes de sécurité importantes	25
Dimensions de la hotte	28
Exigences en matière de hauteur d'installation	29
Pièces	30
Outils nécessaires	31
Options de la méthode d'évacuation par conduits	32
Fixation murale de la hotte	33
Option de recirculation sans conduit	39
Branchement électrique	40
Utilisation des commandes	41
Entretien des filtres	42
Remplacement de l'éclairage	44
Schéma de câblage	45
Garantie	46

CONSIGNES DE SÉCURITÉ IMPORTANTES

LISEZ ET SAUVEGARDEZ CES CONSIGNES AVANT DE COMMENCER L'INSTALLATION DE CETTE HOTTE DE CUISINIÈRE

AVERTISSEMENT : - POUR RÉDUIRE LE RISQUE D'UN FEU DE GRAISSE SUR LA CUISINIÈRE :

- a) Ne laissez jamais les unités de surface sans surveillance à des valeurs de réglage élevés. Les débordements provoquent des fumées et peuvent s'enflammer s'ils sont graisseux. Faites chauffer les huiles lentement à feu doux ou moyen.
- b) Mettez toujours la hotte EN MARCHÉ lorsque vous cuisinez à feu vif ou lorsque vous flambez des mets (par exemple, des crêpes Suzette, des cerises Jubilé, du bœuf au poivre flambé).
- c) Nettoyez fréquemment les ventilateurs. La graisse ne doit pas s'accumuler sur le ventilateur ou le filtre.
- d) Utilisez une casserole de taille appropriée. Utilisez toujours des ustensiles de cuisson adaptés à la taille de l'élément de surface.

AVERTISSEMENT : - POUR RÉDUIRE LES RISQUES DE BLESSURES EN CAS DE FEU DE GRAISSE SUR LE DESSUS DE LA CUISINIÈRE, RESPECTEZ LES CONSIGNES SUIVANTES* :

- a) ÉTOUFFEZ LES FLAMMES avec un couvercle hermétique, une plaque à biscuits ou un plateau métallique, puis éteignez le brûleur. VEILLES A ÉVITER LES BRÛLURES. Si les flammes ne s'éteignent pas immédiatement, ÉVACUEZ ET APPELEZ LES POMPIERS.
- b) Ne RAMASSEZ JAMAIS UNE CASSEROLE ENFLAMMÉE - Vous pourriez vous brûler.
- c) N'UTILISEZ PAS D'EAU, y compris des torchons ou des serviettes humides - une violente explosion de vapeur en résulterait.
- d) Utilisez un extincteur UNIQUEMENT si :
 1. Vous savez que vous avez un extincteur de classe ABC et vous savez déjà comment l'utiliser.
 2. Le feu est petit et limité dans la zone où il s'est déclenché.
 3. Les pompiers ont été appelés.
 4. Vous pouvez combattre le feu en tournant le dos à une sortie.

* Basé sur les « Conseils de sécurité pour la cuisine » publié par la NFPA

AVERTISSEMENT - POUR RÉDUIRE LE RISQUE D'INCENDIE OU DE CHOC ÉLECTRIQUE, n'utilisez pas ce ventilateur avec un dispositif de contrôle de vitesse à semi-conducteurs.

AVERTISSEMENT - POUR RÉDUIRE LES RISQUES D'INCENDIE, DE CHOC ÉLECTRIQUE OU DE BLESSURE, RESPECTEZ LES CONSIGNES SUIVANTES :

1. N'utilisez cet appareil que conformément aux instructions du fabricant. Si vous avez des questions, contactez le fabricant.
2. Avant de procéder à l'entretien ou au nettoyage de l'appareil, coupez l'alimentation électrique au niveau du panneau de service et verrouillez le dispositif de déconnexion de service pour éviter toute remise sous tension accidentelle. Lorsque vous ne pouvez pas verrouiller le dispositif de déconnexion du service, fixez solidement un dispositif d'avertissement bien visible, tel qu'une étiquette, sur le panneau de service.

ATTENTION : Pour une utilisation générale de ventilation seulement. Ne l'utilisez pas pour évacuer des matières et des vapeurs dangereuses ou explosives.

AVERTISSEMENT - POUR RÉDUIRE LES RISQUES D'INCENDIE, DE CHOC ÉLECTRIQUE OU DE BLESSURE, RESPECTEZ LES CONSIGNES SUIVANTES :

1. Confiez les travaux d'installation et le câblage électrique à une ou plusieurs personnes qualifiées, conformément à tous les codes et normes en vigueur, y compris les constructions résistantes au feu.
2. Une quantité suffisante d'air est nécessaire pour une bonne combustion et l'évacuation des gaz par le conduit (cheminée) de l'équipement de combustion afin d'éviter le refoulement. Suivez les directives du fabricant de l'équipement de chauffage et les normes de sécurité telles que celles publiées par la National Fire Protection Association (NFPA) et l'American Society for Heating, Refrigeration and Air Conditioning Engineers (ASHRAE), ainsi que les autorités locales chargées du code.

- 3. Lorsque vous coupez ou percez un mur ou un plafond, n'endommagez pas le câblage électrique et les raccordements aux services utilitaires cachés.**
- 4. Les ventilateurs à conduit doivent toujours être évacués vers l'extérieur.**

TOUTES LES OUVERTURES DANS LES PAROIS ET LE PLANCHER OÙ LA HOTTE EST INSTALLÉE DOIVENT ÊTRE SCELLÉES.

Cette hotte nécessite un dégagement d'au moins 24" entre le bas de la hotte et la surface de cuisson ou le comptoir. Elle a été approuvée par les LA à cette distance de la table de cuisson. Ce dégagement minimum peut être plus élevé selon les codes du bâtiment locaux. Pour les tables de cuisson au gaz et les cuisinières combinées, un minimum de 30" est recommandé et peut être exigé.

Les armoires suspendues des deux côtés de l'appareil doivent se trouver à au moins 18" au-dessus de la surface de cuisson ou du comptoir. Consultez les instructions d'installation de la table de cuisson ou de la cuisinière données par le fabricant avant de faire des découpes.

INSTALLATION DANS DES MOBIL-HOMES L'installation de cette hotte de cuisine doit être conforme aux normes de construction et de sécurité des maisons mobiles, titre 24 CFR, partie 3280 (anciennement norme fédérale pour la construction et la sécurité des mobil-homes, titre 24, HUD, partie 280). Voir la section Exigences électriques"

EXIGENCES EN MATIÈRE DE VENTILATION

Déterminez la méthode de ventilation qui convient le mieux à votre application. Les conduits peuvent passer soit par le mur, soit par le toit.

La longueur des conduits et le nombre de coudes doivent être réduits au minimum pour assurer une performance efficace. La taille des conduits doit être uniforme. N'installez pas deux coudes ensemble. Utilisez du ruban adhésif pour sceller tous les joints du système de conduits. Utilisez du calfeutrage pour sceller l'ouverture du mur extérieur ou du plancher autour du capuchon.

Les conduits flexibles ne sont pas recommandés. Ils créent une contre-pression et des turbulences d'air qui réduisent considérablement les performances.

Assurez-vous qu'il y a un dégagement approprié dans le mur ou le plancher pour le conduit d'évacuation avant de faire des découpes. Ne coupez pas une solive ou un montant à moins que cela ne soit absolument nécessaire. Si vous devez couper une solive ou un montant, veuillez construire un cadre de support.

AVERTISSEMENT - Pour réduire les risques d'incendie, utilisez uniquement des conduits métalliques.

ATTENTION - Pour réduire les risques d'incendie et pour évacuer correctement l'air, assurez-vous de canaliser l'air vers l'extérieur - Ne faites pas passer l'air évacué dans des espaces à l'intérieur des murs ou des plafonds ou dans des greniers, des vides sanitaires ou des garages.

Installations par temps froid

Veillez installer un clapet anti-retour supplémentaire pour minimiser le retour de l'air froid ainsi qu'un dispositif de coupure thermique non métallique pour minimiser la conduction des températures extérieures dans le système de ventilation. Le clapet doit se trouver du côté de l'air froid de la coupure thermique. La coupure doit être aussi près que possible de l'endroit où le système de ventilation entre dans la partie chauffée de la maison.



AVERTISSEMENT

- Le système de ventilation DOIT se terminer à l'extérieur de la maison.
- **NE PAS** faire aboutir le conduit dans un grenier ou un autre espace fermé.
- **NE PAS** utiliser de capuchons muraux de 4" de type blanchisserie.
- Les conduits de type flexible ne sont pas recommandés.
- **NE PAS** obstruer le flux d'air de combustion et de ventilation.
- Le non-respect des exigences en matière de ventilation peut entraîner un incendie.

EXIGENCES ÉLECTRIQUES

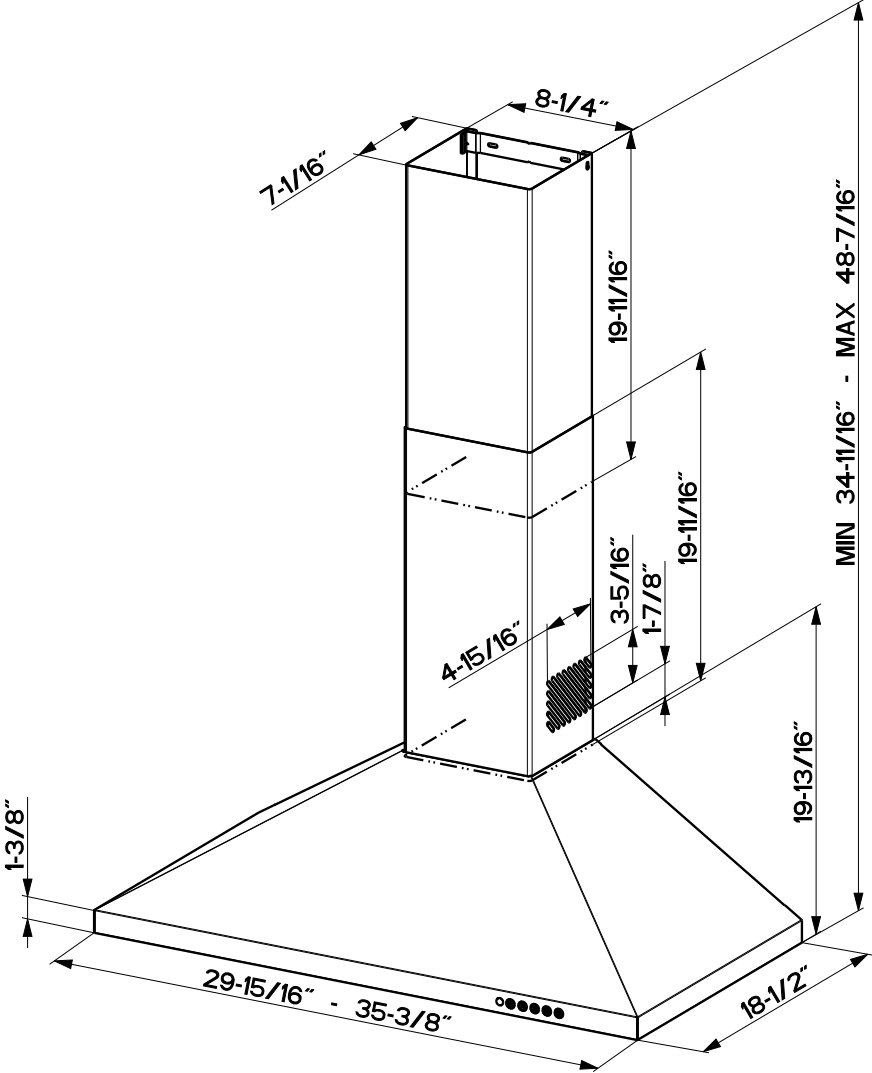
Une alimentation électrique de 120 volts, 60 Hz, uniquement en CA, est requise sur un circuit séparé à fusible de 15 ampères. Nous recommandons un fusible à retardement ou un disjoncteur. Le fusible doit être dimensionné en fonction des codes locaux et de la puissance électrique de l'appareil, comme indiqué sur la plaque signalétique située à l'intérieur de l'appareil, près du compartiment de câblage.



AVERTISSEMENT

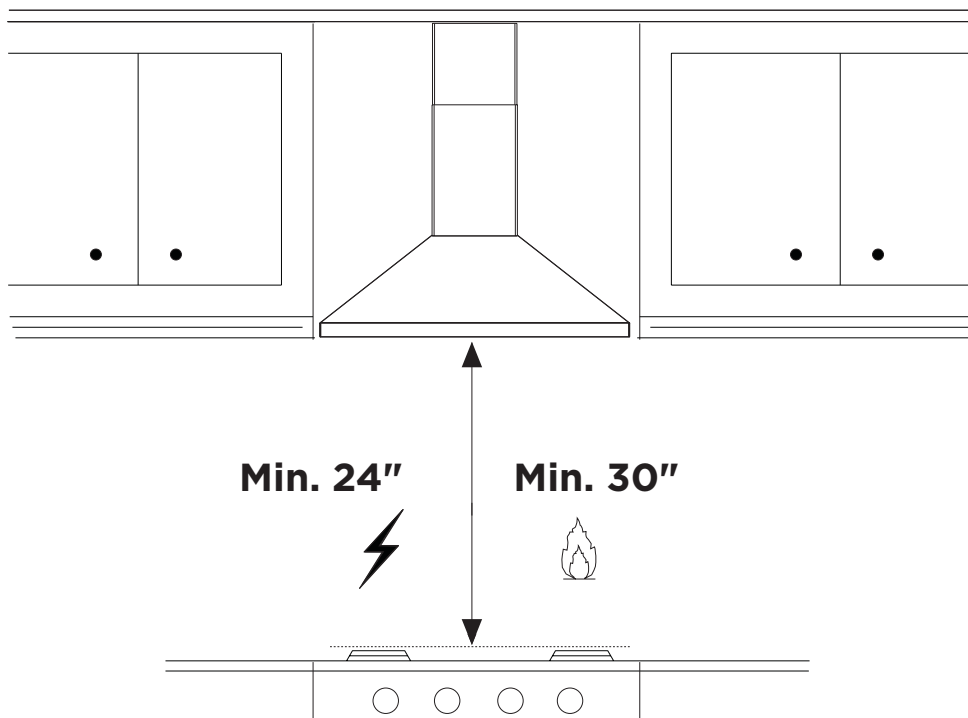
- Une mise à la terre électrique est requise sur cette hotte.
- Si le tube d'eau froide est interrompu par du plastique, des joints non métalliques ou d'autres matériaux, NE l'utilisez PAS pour la mise à la terre.
- NE mettez PAS à la terre un tube de gaz.
- N'ayez PAS de fusible dans le circuit neutre ou de mise à la terre. Un fusible dans le circuit neutre ou de mise à la terre pourrait provoquer un choc électrique.
- Vérifiez auprès d'un électricien qualifié si vous avez des doutes quant à la mise à la terre de la hotte.
- Le non-respect des exigences électriques peut entraîner un incendie.

DIMENSIONS DE LA HOTTE







EXIGENCES EN MATIÈRE DE HAUTEUR D'INSTALLATION

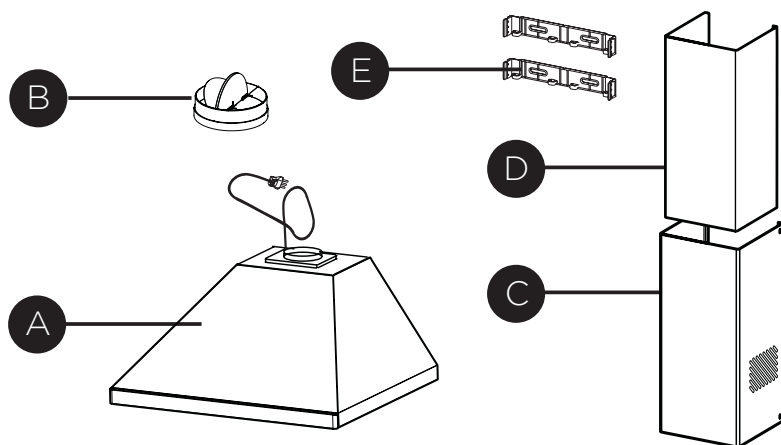
MIN. 24" AU-DESSUS DE L'ÉLECTRICITÉ/MIN. 30" SUR GAZ



PIÈCES



PIÈCES INCLUSES

RÉF.	PIÈCE	
A	Corps de hotte, y compris les commandes, l'éclairage, les filtres, le ventilateur	1
B	Clapet anti-retour	1
C	Cheminée inférieure	1
D	Cheminée supérieure	1
E	Supports muraux de cheminée	2
RÉF	PIÈCE	
F	Vis Pozi (3/16" x 1 3/4")	  8
G	Vis Pozi (1/8" x 7/16")	  4



PIÈCES (suite)






PIÈCES NÉCESSAIRES

PIÈCE	
Conduit métallique rond de 6"	
Cheilles de placoplâtre ou autres fixations murales appropriées en fonction de votre installation.	
Le capuchon mural/le capuchon de toit doit être acheté séparément.	

ACCESSOIRES DISPONIBLES

ACCESSOIRES	SKU#
KIT SANS CONDUIT CLAS (DÉVIATEUR + CHARBON)	DUCTCLPL
KIT DE FILTRE À CHARBON	FILTER1
KIT DE FILTRE À CHARBON LAVABLE LONGUE DURÉE	FILTERILL2
KIT HAUT PLAFOND	HIGHCLPL
TÉLÉCOMMANDE	REMORIG
BOÎTIER DE CÂBLAGE FIXE	WIREBOX

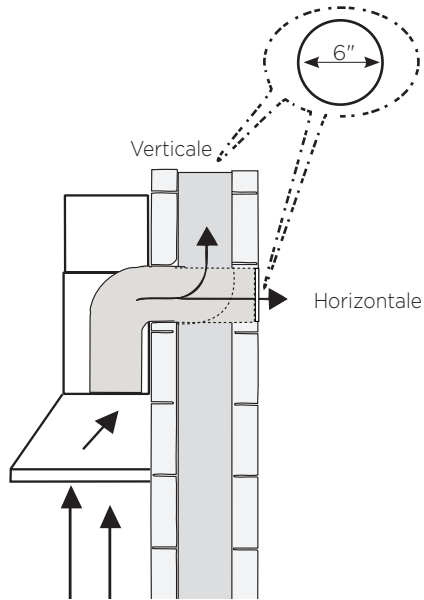
OUTILS NÉCESSAIRES

OUTIL	
Mètre ruban	
Crayon	
Perceuse électrique avec mèche de 5/16"	
Tournevis Phillips	
Gants de travail	

OPTIONS DE LA MÉTHODE D'ÉVACUATION PAR CONDUITS

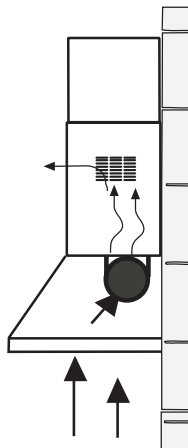
Conduit avec sortie ronde de 7" :

- Vertical
- Horizontal



OPTION DE RECIRCULATION SANS CONDUIT

Nécessite l'achat de l'accessoire charbon actif.

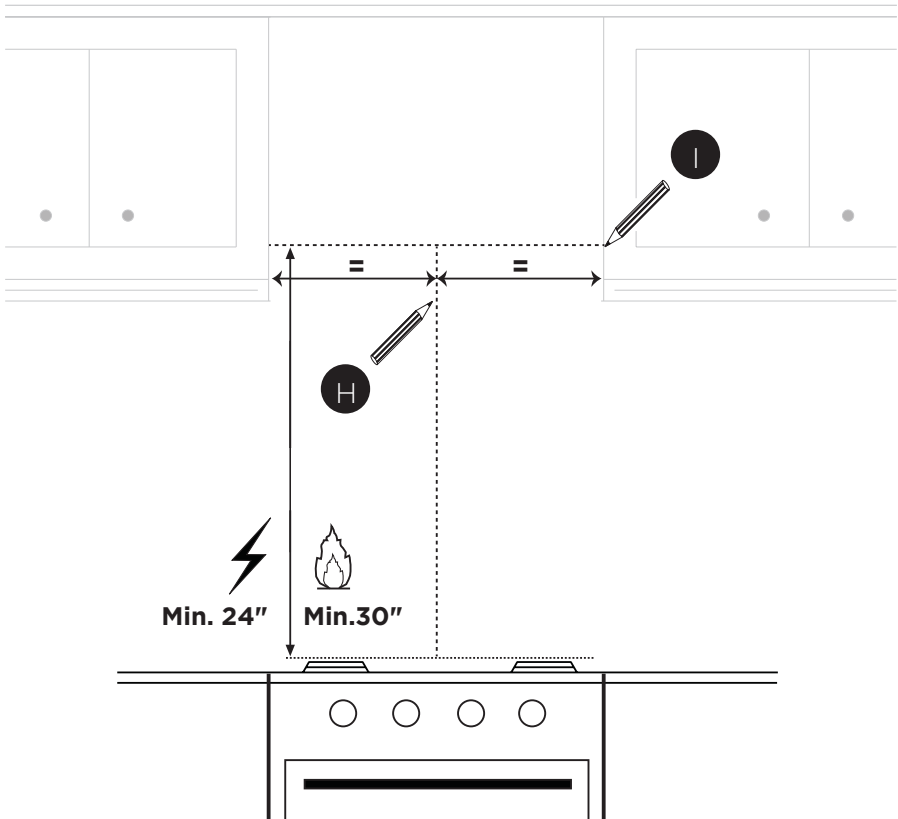


FIXATION MURALE DE LA HOTTE D'ASPIRATION

1 TRACEZ DES LIGNES DE POSITIONNEMENT

Tracez une ligne verticale **H** entre le mur arrière porteur et le plafond ou la limite supérieure, au centre de la zone où la hotte sera installée.

Tracez une ligne horizontale **I** à partir de l'endroit où le bord inférieur de la hotte sera situé, jusqu'à un minimum de 24" au-dessus d'une surface de cuisson électrique et de 30" au-dessus d'une surface de cuisson au gaz.



MIN. 24" SUR ÉLECTRIQUE/MIN. 30" SUR GAZ

FIXATION MURALE DE LA HOTTE D'ASPIRATION

2

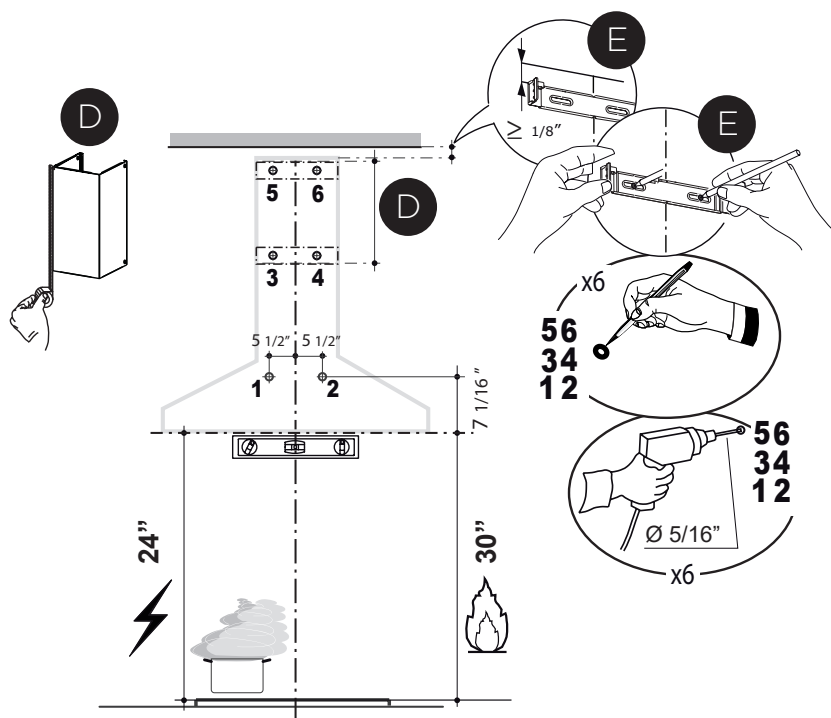
Tracez une ligne horizontale à l'endroit indiqué sur le bord inférieur de la hotte à la hauteur souhaitée au-dessus de la surface de cuisson.

Placez un support **E** sur le mur comme indiqué à environ 1/8" du plafond ou de la limite supérieure, en alignant les centres (encoche) avec la ligne de référence verticale et marquez le mur au centre des trous du support.

Placez le deuxième support **E** sur le mur comme indiqué sous le premier support, à la hauteur de la section de cheminée supérieure **D** fournie et en alignant les centres (encoche) avec la ligne verticale.

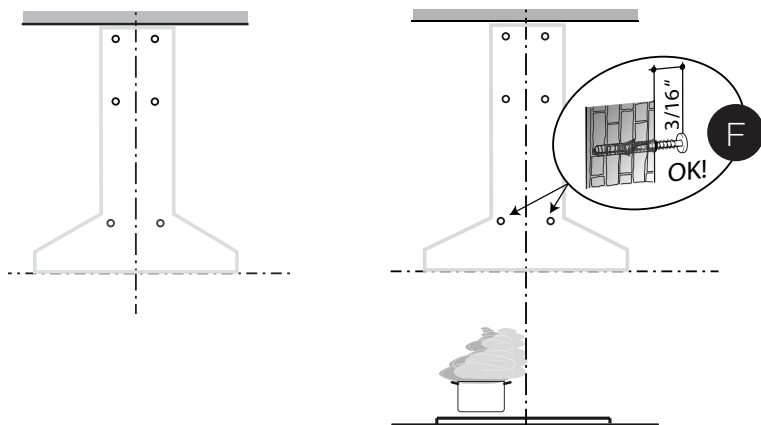
Marquez le mur au centre des trous du support et marquez les points 1 et 2 pour l'installation du corps de la hotte comme indiqué (7 1/16" de la ligne horizontale et 5 1/2" de la ligne verticale).

Percez des trous de \varnothing 5/16" à tous les points centraux marqués (points 1, 2, 3, 4, 5, 6) comme indiqué.

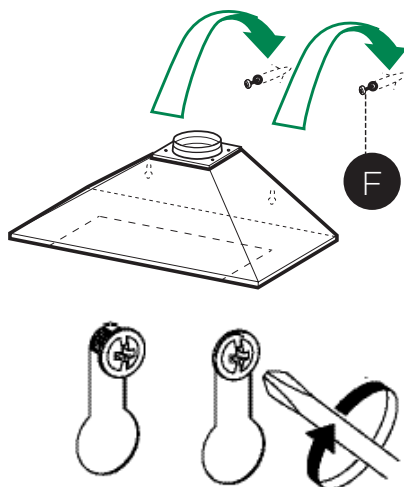




MONTAGE DE LA HOTTE D'ASPIRATION

- 3** Installez des chevilles si nécessaire (à acheter séparément).
Insérez partiellement les deux vis fournies **F** dans le mur comme indiqué dans les trous 1 et 2.



- 4** Accrochez la hotte au mur en poussant les vis à travers les 2 trous indiqués à l'arrière de la hotte. Serrez les vis.



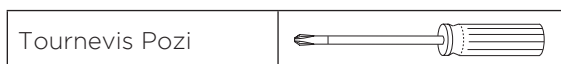
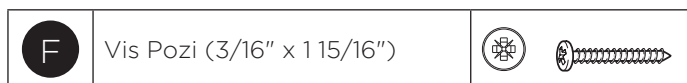
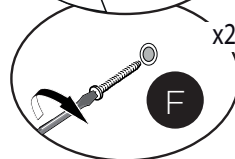
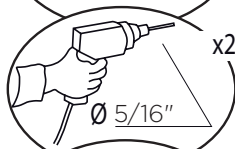
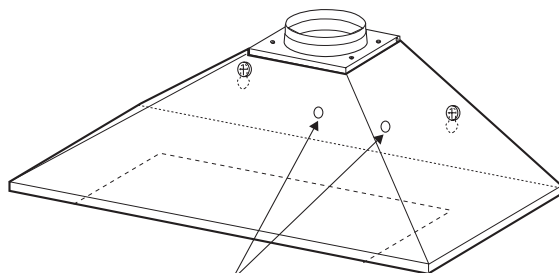
F	Vis Pozi (3/16" x 1 15/16")		
----------	-----------------------------	---	---

Tournevis Pozi	
----------------	---

MONTAGE DE LA HOTTE D'ASPIRATION

5

De l'intérieur de la hotte, marquez les trous pour les deux trous de sécurité, percez un $5/16''$ x 2 à l'endroit indiqué. Insérez 2 chevilles dans les trous et vissez fermement 2 vis **F**.

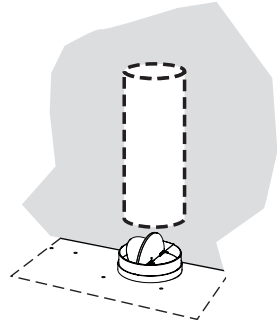
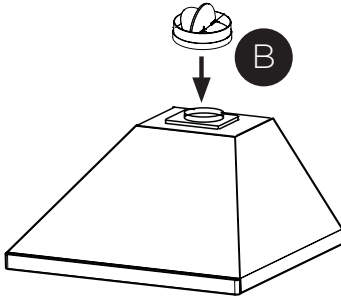


MONTAGE DE LA HOTTE D'ASPIRATION

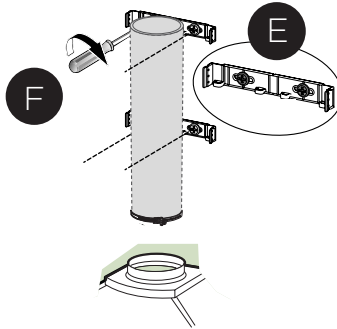
6 Installation de conduits verticaux ou horizontaux

Installez le clapet anti-retour **B** fourni avec la hotte avant de le raccorder aux conduits.

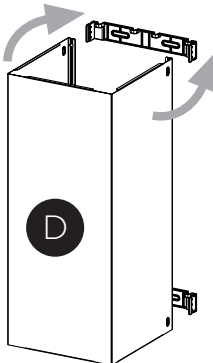
Installez le capuchon de toit ou de mur acheté séparément. Raccordez le conduit métallique de 6"pouces au capuchon de toit ou de mur, puis fixez le conduit.



7 Fixez les 2 supports de cheminée **E** à l'aide des 4 vis **F** fournies.

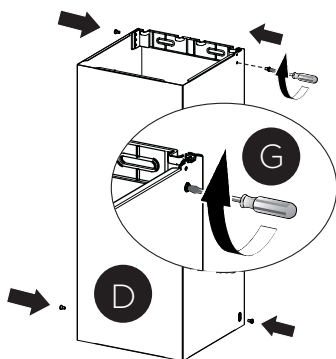


8 Élargissez légèrement les deux côtés de la cheminée supérieure **D** et accrochez-les derrière les supports **E** en vous assurant qu'ils sont bien en place.

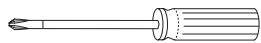


MONTAGE DE LA HOTTE D'ASPIRATION

9 Fixez les côtés aux supports **E** à l'aide des 4 vis **G**.



Tournevis Pozi



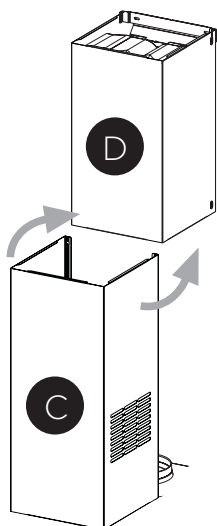
G

Vis Pozi (1/8" x 7/16")



10

Élargissez légèrement les deux côtés de la cheminée inférieure et accrochez-les entre la section supérieure et le mur en vous assurant qu'ils sont bien en place.

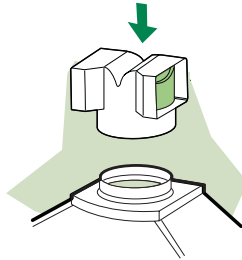


OPTION DE RECIRCULATION SANS CONDUIT

11

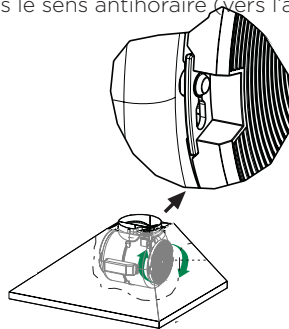
Option de recirculation sans conduit

Uniquement pour la version à recirculation, raccordez le déviateur sans conduit sur le dessus du corps de la hotte. (acheté séparément)



12

Fixez chaque filtre à charbon à la grille noire de chaque côté du ventilateur. Appuyez fermement le filtre à charbon sur la grille noire du côté du ventilateur et tournez le filtre dans le sens horaire (vers l'avant de la hotte) jusqu'à ce qu'il se verrouille en place. Tournez dans le sens antihoraire (vers l'arrière de la hotte) pour le retirer.



Accessoire nécessaire pour le filtre à charbon actif - sku # - FILTER1
Accessoire de filtre à charbon actif longue durée - sku # FILTERILL
(acheté séparément)



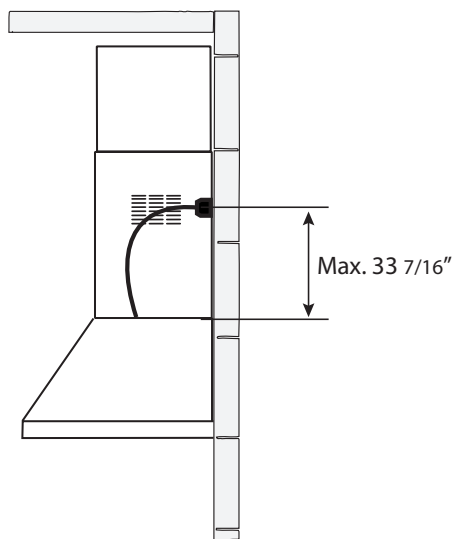
BRANCHEMENT ÉLECTRIQUE

1 INSTALLATION ÉLECTRIQUE AVEC CÂBLE DE CONNEXION

INSTRUCTIONS DE MISE A LA TERRE. Cet appareil doit être mis à la terre. En cas de court-circuit électrique, la mise à la terre réduit le risque de choc électrique en fournissant un fil d'échappement pour le courant électrique. Cet appareil est équipé d'un cordon comportant un fil de mise à la terre avec prise de terre. La fiche doit être branchée dans une prise de courant correctement installée avec mise à la terre. **AVERTISSEMENT :** une mise à la terre incorrecte peut entraîner un risque de choc électrique.

Consultez un électricien qualifié si vous ne comprenez pas parfaitement les instructions de mise à la terre ou si vous avez des doutes quant à la mise à la terre de l'appareil.

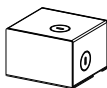
N'utilisez pas de rallonge électrique. Si le cordon d'alimentation est trop court, demandez à un électricien qualifié d'installer une prise à proximité de l'appareil.



INSTALLATION ÉLECTRIQUE AVEC BOÎTIER DE CÂBLAGE EN OPTION

Pour une installation de câblage permanente, utilisez uniquement avec le kit de boîtier de câblage de hotte répertorié sku # WIREBOX, fabriqué par Faber.



Accessoire de boîtier de câblage à connexion directe
sku # WIREBOX
(acheté séparément)



UTILISATION DES COMMANDES

POUR DE MEILLEURS RÉSULTATS

Mettez la hotte en marche plusieurs minutes avant la cuisson pour assurer une bonne circulation de l'air. Laissez la hotte fonctionner pendant plusieurs minutes après la fin de la cuisson pour évacuer la fumée et les odeurs de la cuisine.

Bouton	Fonction
	Bouton d'arrêt du ventilateur : permet d'arrêter le ventilateur. Il est possible d'actionner le ventilateur en appuyant sur l'un de ses boutons de réglage.
1	Boutons de réglage du ventilateur : Basse vitesse.
2	Boutons de réglage du ventilateur : Vitesse moyenne.
3/i	Boutons de réglage du ventilateur : Haute vitesse. Maintenez le bouton enfoncé pendant 2 secondes pour activer la VITESSE INTENSIVE, qui est programmée pour fonctionner pendant 10 minutes. A la fin de cette période, le ventilateur revient automatiquement à la vitesse réglée auparavant, ce qui permet de traiter les niveaux maximums de fumées de cuisson.
	Bouton d'éclairage : pour allumer/éteindre les lumières LED. Appuyez sur le bouton LIGHT pour allumer la lumière et appuyez à nouveau pour l'éteindre.

REMARQUE : Si votre produit a subi un ajustement CFM, reportez-vous au manuel d'ajustement CFM pour plus d'informations. Certaines vitesses ou fonctions du moteur peuvent être réduites.

ENTRETIEN DES FILTRES

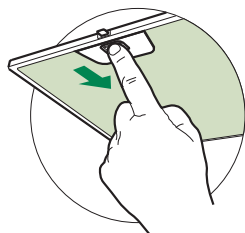
NETTOYAGE DES FILTRES À GRAISSE MÉTALLIQUES

Les filtres à graisse métalliques peuvent être nettoyés dans une solution détergente chaude ou lavés au lave-vaisselle.

Ils doivent être nettoyés tous les 2 mois d'utilisation, ou plus fréquemment si l'utilisation est particulièrement intensive.

1

Retirez le filtre en poussant le levier vers l'arrière de l'appareil tout en tirant vers le bas.

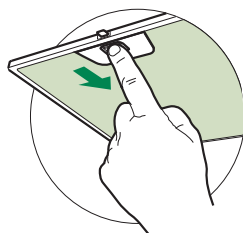


2

Lavez le filtre sans le plier. Laissez-le sécher complètement avant de le remettre en place. Si la surface du filtre change de couleur avec le temps, l'efficacité n'en sera pas affectée.

3

Pour remplacer le filtre, poussez-le vers le haut en position tout en maintenant le levier en arrière, puis relâchez le levier pour le verrouiller en place.



NOTES :

- Le nettoyage dans un lave-vaisselle peut ternir la finition des filtres à graisse en métal.
- Assurez-vous que les filtres sont complètement secs avant de les réinstaller dans la hotte.

NETTOYAGE DES SURFACES EXTÉRIEURES

Veuillez noter que les abrasifs et les agents de récurage peuvent rayer les finitions de la hotte et ne doivent pas être utilisés pour nettoyer les surfaces de finition.

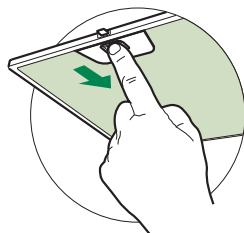
Instructions de nettoyage de la finition en acier inoxydable :

Nettoyez les surfaces extérieures avec un nettoyant pour acier inoxydable disponible dans le commerce.

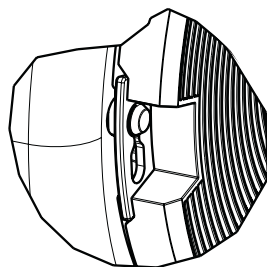
REPLACEMENT DU FILTRE À CHARBON ACTIF

Les filtres à charbon actif ne sont pas lavables et ne peuvent pas être régénérés, et doivent être remplacés environ tous les 4 mois de fonctionnement, ou plus fréquemment en cas d'utilisation intensive.

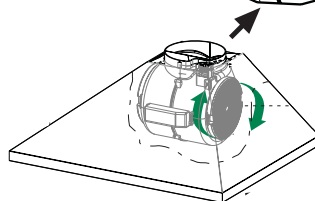
1 Retirez les filtres à graisse.



2 Retirez le filtre à charbon saturé en le tournant dans le sens antihoraire (vers l'arrière) jusqu'à ce qu'il se déverrouille du boîtier du moteur et retirez-le latéralement.



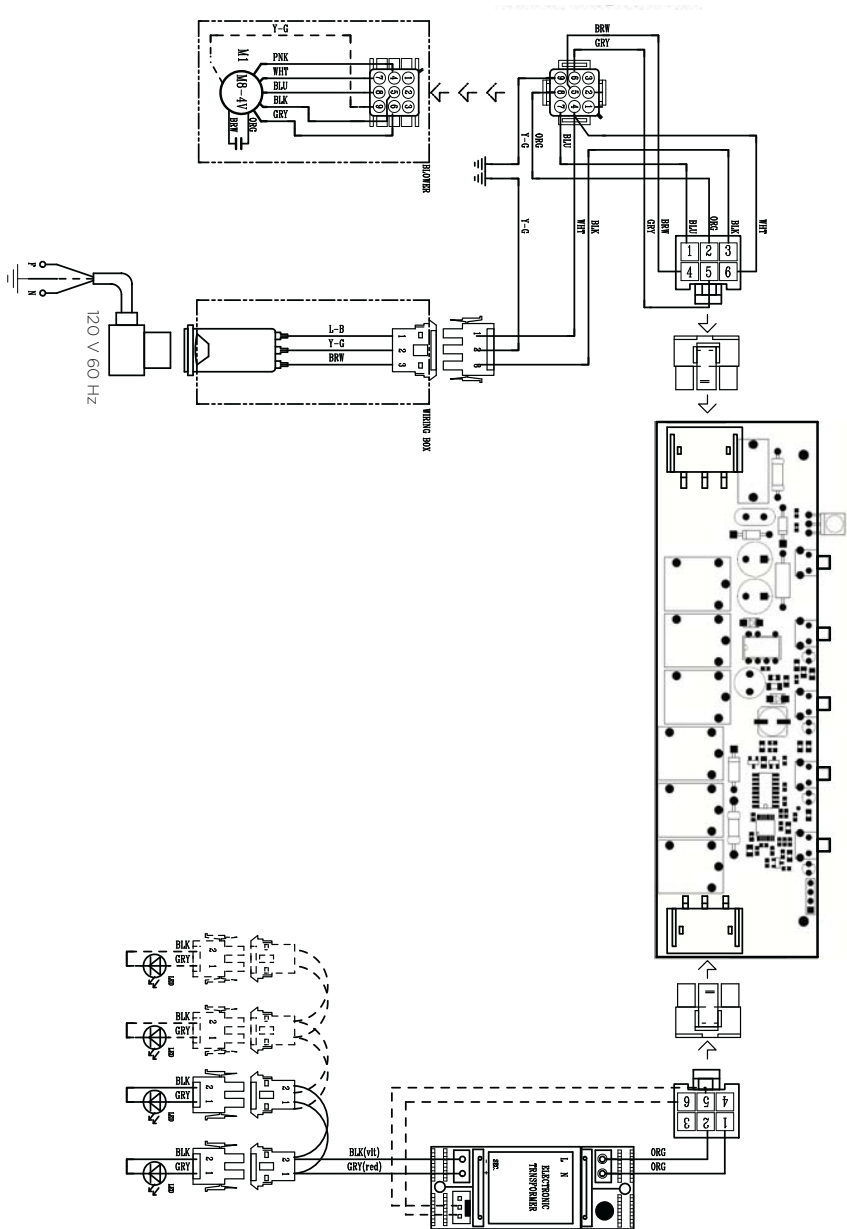
3 Pour réinsérer chaque filtre à charbon, placez-le contre le côté du ventilateur et poussez-le vers l'intérieur. Tournez ensuite le filtre à charbon dans le sens horaire (vers l'avant) jusqu'à ce qu'il s'enclenche.



REPLACEMENT DE L'ÉCLAIRAGE

Les lumières LED doivent être remplacées par un service agréé Faber.

SCHÉMA DE CÂBLAGE





Garantie Franke Home Solutions pour les produits de marque Franke et Faber en vigueur le 1er mars 2022

Aux États-Unis, au Canada et en Amérique latine, Franke garantit les produits de la marque Faber contre les défauts de fabrication des matériaux et de la fabrication lorsqu'ils sont achetés auprès d'un revendeur agréé Franke ou Faber conformément aux garanties spécifiques aux produits détaillées dans le présent document (chacune, une « garantie » et collectivement, les « garanties »). Les produits doivent être correctement installés, conformément aux instructions d'installation de Franke, dans leur installation d'origine, et utilisés dans des applications de cuisine résidentielles intérieures normales. Tout produit ou composant qui a été modifié ou altéré par rapport à son état d'origine annulera la garantie. Les garanties Franke pour les produits de marque Faber sont limitées à l'acheteur d'origine et ne sont pas transférables. Ces garanties n'incluent pas les produits achetés auprès de revendeurs non agréés, les produits obsolètes ou abandonnés, ou les produits qui étaient des modèles précédemment affichés. Tous les problèmes avec les produits installés sont considérés comme des demandes de garantie et ne sont pas soumis à la politique de retour. Franke se réserve le droit d'inspecter tout produit Franke/Faber signalé comme défectueux en vertu d'une réclamation au titre de la garantie et de l'installation d'origine avant de fournir un produit et/ou un composant de remplacement. Toutes les décisions sont finales. La responsabilité de Franke ne pourra en aucun cas dépasser le montant du prix d'achat initial.

Les garanties ne couvrent pas, et Franke ne sera pas tenue responsable, de tout dommage aux produits ou composants résultant d'une mauvaise utilisation ou d'un abus, de dommages accidentels, d'une usure normale telle que des éraflures, des rayures ou d'une réduction/décoloration du fini, d'une installation incorrecte, d'une utilisation anormale, d'une négligence, des dommages causés par un entretien ou un nettoyage inapproprié. Les dommages causés par des impuretés, des produits chimiques corrosifs ou des actes indépendants de la volonté de Franke ne sont couverts par aucune garantie. Les appels de service pour corriger l'installation d'une hotte de cuisinière, les instructions sur la façon de faire fonctionner une hotte de cuisinière, pour remplacer ou réparer les fusibles de la maison ou pour corriger le câblage ou la plomberie de la maison ne sont couverts par aucune garantie. Les appels de service pour réparer ou remplacer les ampoules, les fusibles ou les filtres de la hotte de cuisinière et ces coûts de pièces consommables sont également exclus de la couverture de la garantie. Une installation non conforme aux codes électriques ou de plomberie ou à la documentation Franke/Faber n'est couverte par aucune garantie. Les pièces de rechange ou les coûts de main-d'œuvre de réparation pour les unités utilisées à l'extérieur des États-Unis, du Canada ou de l'Amérique latine, y compris les hottes de cuisinière Franke/Faber non approuvées UL ou C-UL ou NOM, sont exclus de la couverture de la garantie. Les frais de déplacement et de transport pour l'entretien dans des endroits éloignés et les frais de ramassage et de livraison ne sont couverts par aucune garantie. Les hottes de cuisinière Franke/Faber doivent toujours être entretenues à domicile dans leur installation d'origine.

Les remplacements de produits Franke/Faber n'incluent pas la responsabilité pour les retards de projet. Les remplacements de produits ne sont pas garantis comme étant des remplacements exacts. Si le produit d'origine n'est pas disponible au moment de la demande de garantie, à la discrétion de Franke, les produits de remplacement seront de taille, de matériau et de valeur similaires. Tout produit ou composant qui a été modifié ou altéré par rapport à son état d'origine annulera la garantie.

Les garanties n'autorisent pas le recouvrement des dommages indirects ou consécutifs tels que la perte d'utilisation, le retard, les dommages matériels ou autres dommages consécutifs, et Franke décline toute responsabilité pour ces dommages. Chaque garantie est limitée aux conditions énoncées dans le présent document et à la période de garantie applicable spécifiée dans le présent document et est exclusive. À L'EXCEPTION DES GARANTIES ÉNONCÉES DANS LE PRÉSENT DOCUMENT, FRANKE N'OFFRE AUCUNE GARANTIE CONCERNANT LES PRODUITS, Y COMPRIS, MAIS SANS S'Y LIMITER, (1) TOUTE GARANTIE DE QUALITÉ MARCHANDE, (2) GARANTIE D'ADÉQUATION À UN USAGE PARTICULIER, (3) GARANTIE DE TITRE DE PROPRIÉTÉ, OU (4) GARANTIE CONTRE LA VIOLATION DES DROITS DE PROPRIÉTÉ INTELLECTUELLE D'UN TIERS, QU'ELLE SOIT EXPRESSE OU IMPLICITE PAR LA LOI, LE COURS DES AFFAIRES, LE COURS DE L'EXÉCUTION, L'USAGE DU COMMERCE OU AUTREMENT. AVIS DE NON-RESPONSABILITÉ LÉGALE, VEUILLEZ

LIRE ATTENTIVEMENT. Franke Kitchen Systems LLC vous fournit les informations ci-dessus en tant que service public à nos clients. En accédant à ces informations et en les utilisant, vous acceptez ce qui suit et vous vous conformez à toutes les lois applicables. Si vous n'êtes pas d'accord avec ces termes et conditions, n'utilisez pas ces informations. Bien que nous essayions de maintenir l'information à jour, des changements peuvent avoir eu lieu depuis sa création. Contactez votre directeur régional ou le service client pour vérifier les informations concernant les programmes Franke Kitchen Systems LLC et leur utilisation par vous.

Garantie limitée des hottes de cuisinière Franke/Faber :

Les hottes de cuisinière Franke/Faber sont garanties contre tout défaut de matériaux ou de fabrication pour l'acheteur d'origine pendant une période de deux (2) ans à compter de la date d'achat d'origine lorsqu'elles sont utilisées dans des applications intérieures résidentielles normales. Cette garantie couvre la main-d'œuvre et les pièces de rechange. Franke, à sa discrétion, peut réparer ou remplacer le produit ou les composants nécessaires pour remettre le produit en bon état de fonctionnement.



Cette garantie remplace toutes les autres garanties, expresses ou implicites. Aucun employé, représentant commercial sur le terrain ou distributeur n'est autorisé à donner des garanties au nom de Franke Kitchen Systems, LLC.

Pour faire une réclamation au titre de la garantie d'un produit installé, veuillez contacter Franke aux coordonnées fournies ci-dessous. Toutes les réclamations de garantie doivent inclure les éléments suivants pour le traitement :

1. Preuve d'achat auprès d'un revendeur agréé Franke ou Faber
2. Nom, adresse (ville, état, code postal) de l'acheteur d'origine, adresse de courrier électronique et numéro de téléphone
3. Modèle et numéro de série Franke/Faber
4. Date d'installation
5. Description du défaut
6. Photos du défaut

En Amérique du Nord et en Amérique Latine :

Franke Home Solutions

À l'attention de : Warranty Department

800 Aviation Parkway

Smyrna, TN 37167

HS-Warranty.US@Franke.com

Raison sociale :

Franke Kitchen Systems LLC

CONTENIDOS

Sección	Página
Instrucciones importantes de seguridad	49
Dimensiones de la campana extractora	52
Requisitos de altura para la instalación	53
Piezas	54
Herramientas necesarias	55
Opciones del método de ventilación por conductos	56
Montaje de la campana extractora en la pared	57
Opción de recirculación sin conductos	63
Conexión de la electricidad	64
Operación de los controles	65
Cuidado de los filtros	66
Sustitución de la iluminación	67
Diagrama de cableado	68
Garantía	69

INSTRUCCIONES IMPORTANTES DE SEGURIDAD

LEA Y GUARDE ESTAS INSTRUCCIONES ANTES DE EMPEZAR A INSTALAR ESTA CAMPANA EXTRACTORA

ADVERTENCIA: - PARA REDUCIR EL RIESGO DE INCENDIO POR GRASA EN LA ENCIMERA:

- a) Nunca deje las unidades de superficie desatendidas en ajustes altos. Los hervores causan humo y derrames de grasa que pueden encenderse. Caliente los aceites lentamente en la posición baja o media.
- b) Siempre ENCIENDA la campana cuando cocine a fuego alto o cuando flamee alimentos (por ejemplo, Crepes Suzette, Cherries Jubilee, Peppercorn Beef Flambé).
- c) Limpie los ventiladores con frecuencia. No se debe permitir que la grasa se acumule en el ventilador o en el filtro.
- d) Utilice el tamaño adecuado de sartén. Utilice siempre utensilios de cocina apropiados para el tamaño de la superficie del elemento.

ADVERTENCIA: - PARA REDUCIR EL RIESGO DE LESIONES A LAS PERSONAS EN CASO DE INCENDIO DE LA GRASA DE LA ENCIMERA, OBSERVE LO SIGUIENTE*:

- a) APAGUE LAS LLAMAS con una tapa ajustada, una bandeja para galletas o una bandeja metálica, y luego apague el quemador. TENGA CUIDADO PARA EVITAR QUEMADURAS. Si las llamas no se apagan inmediatamente EVACÚE Y LLAME AL DEPARTAMENTO DE BOMBEROS.
- b) NUNCA AGARRE UNA SARTÉN QUE ESTÁ FLAMEANDO - Puede quemarse.
- c) NO UTILICE AGUA, incluyendo paños de cocina o toallas mojadas - se producirá una violenta explosión de vapor.
- d) Utilice un extintor SOLO si:
 1. Sabe que tiene un extintor de Clase ABC y ya sabe cómo manejarlo.
 2. El fuego es pequeño y está contenido en la zona donde se inició.
 3. Se está llamando a los bomberos.
 4. Puede combatir el fuego de espaldas a una salida.

* Basado en " Consejos de Seguridad contra Incendios en la Cocina" publicado por la NFPA

ADVERTENCIA - PARA REDUCIR EL RIESGO DE INCENDIO O DESCARGA ELÉCTRICA, no utilice este ventilador con ningún dispositivo de control de velocidad de estado sólido.

ADVERTENCIA - PARA REDUCIR EL RIESGO DE INCENDIO, DESCARGA ELÉCTRICA O LESIONES A LAS PERSONAS, OBSERVE LO SIGUIENTE:

1. Utilice esta unidad solo de la manera prevista por el fabricante. Si tiene alguna pregunta, póngase en contacto con el fabricante.
2. Antes de realizar el mantenimiento o la limpieza de la unidad, desconecte la alimentación en el panel de servicio y bloquee los medios de desconexión de servicio para evitar que la alimentación se conecte accidentalmente. Cuando los medios de desconexión de servicio no puedan bloquearse, fije de forma segura un dispositivo de advertencia prominente, como una etiqueta, en el panel de servicio.

PRECAUCIÓN: Solo para Uso General de Ventilación. No lo utilice para expulsar materiales y vapores peligrosos o explosivos.

ADVERTENCIA - PARA REDUCIR EL RIESGO DE INCENDIO, DESCARGA ELÉCTRICA O LESIONES A LAS PERSONAS, OBSERVE LO SIGUIENTE:

1. Los trabajos de instalación y cableado eléctrico lo deben realizar persona(s) cualificada(s) de conformidad con todos los códigos y normas aplicables, incluyendo la construcción de evaluación contra incendios.
2. Se necesita suficiente aire para una combustión adecuada y para la evacuación de los gases a través del conducto de humos (chimenea) de los equipos de combustión para evitar la explosión del aire en retroceso. Siga las directrices y las normas de seguridad del fabricante del equipo de calefacción, como las publicadas por la Asociación Nacional de Protección contra Incendios

(NFPA) y la Sociedad Americana de Ingenieros de Calefacción, Refrigeración y Aire Acondicionado (ASHRAE), así como las autoridades de los códigos locales.

3. Al cortar o perforar la pared o el techo, no dañe el cableado eléctrico ni otros servicios ocultos.
4. Los ventiladores con conductos deben estar siempre ventilados al exterior.

TODAS LAS APERTURAS DE LA PARED Y DEL SUELO DONDE SE INSTALE LA CAMPANA EXTRACTORA DEBEN ESTAR SELLADAS.

Esta Campana Extractora requiere un espacio libre de al menos 60 cm (24") entre la parte inferior de la campana extractora y la superficie de cocción o la encimera. Esta campana ha sido aprobada por UL a esta distancia de la encimera.

Esta distancia mínima puede ser mayor dependiendo de los códigos de construcción locales. Para las encimeras de gas y las cocinas combinadas, se recomienda un mínimo de 76,2 cm (30") y puede ser necesario.

Los armarios superiores a ambos lados de esta unidad deben estar a un mínimo de 45 cm (18") por encima de la superficie de cocción o de la encimera. Consulte las instrucciones de instalación de la placa de cocción o de la cocina dadas por el fabricante antes de hacer cualquier recorte.

INSTALACIÓN EN CASAS MÓVILES La instalación de esta campana extractora debe cumplir con las Normas de Seguridad y Construcción de Casas Móviles, Título 24 CFR, Parte 3280 (anteriormente Norma Federal para la Seguridad y Construcción de Casas Móviles, Título 24, HUD, Parte 280). Consulte los Requisitos Eléctricos

REQUISITOS DE VENTILACIÓN

Determine qué método de ventilación es el mejor para su aplicación. La red de conductos puede extenderse a través de la pared o del techo.

La longitud de la red de conductos y el número de codos deben reducirse al mínimo para conseguir un rendimiento eficaz. El tamaño de la red de conductos debe ser uniforme. No instale dos codos juntos. Utilice cinta adhesiva para sellar todas las juntas del sistema de conductos. Utilice masilla para sellar la pared exterior o la abertura del suelo alrededor de la tapa.

No se recomienda utilizar conductos flexibles. Los conductos flexibles crean contrapresión y turbulencias de aire que reducen considerablemente el rendimiento.

Asegúrese de que hay un espacio libre adecuado dentro de la pared o el suelo para el conducto de escape antes de hacer recortes. No corte una viga o montante a menos que sea absolutamente necesario. Si es necesario cortar una viga o un montante, debe construirse un marco de soporte.

ADVERTENCIA - Para reducir el riesgo de incendio, utilice solo conductos metálicos.

PRECAUCIÓN - Para reducir el riesgo de incendio y para evacuar el aire adecuadamente, asegúrese de canalizar el aire hacia el exterior - No ventile el aire de salida en espacios dentro de las paredes o techos ni en áticos, semisótanos o garajes.

Instalaciones para climas fríos

Debe instalarse un regulador de corriente adicional para minimizar el flujo de aire frío de retorno y debe instalarse un interruptor térmico no metálico para minimizar la conducción de las temperaturas exteriores como parte del sistema de ventilación. El regulador debe estar situado en el lado del interruptor térmico. El interruptor debe estar lo más cerca posible del lugar donde el sistema de ventilación entra en la parte con calefacción de la casa.



¡ADVERTENCIA

- El sistema de ventilación DEBE terminar en el exterior de la vivienda.
- **NO** termine los conductos en un ático u otro espacio cerrado.
- **NO** utilice tapas de pared de 4" tipo lavadero.
- No se recomienda utilizar conductos flexibles.
- **NO** obstruya el flujo de aire de combustión y ventilación.
- El incumplimiento de los requisitos de ventilación puede provocar un incendio.

REQUISITOS ELÉCTRICOS

Se requiere un suministro eléctrico de 120 voltios y 60 Hz de solo CA en un circuito separado con fusible de 15 amperios. Se recomienda utilizar un fusible de retardo o un disyuntor de circuito. El fusible debe estar dimensionado según los códigos locales de acuerdo con la clasificación eléctrica de esta unidad, tal como se especifica en la placa de serie/clasificación ubicada en el interior de la unidad, cerca del compartimiento de cableado de campo.

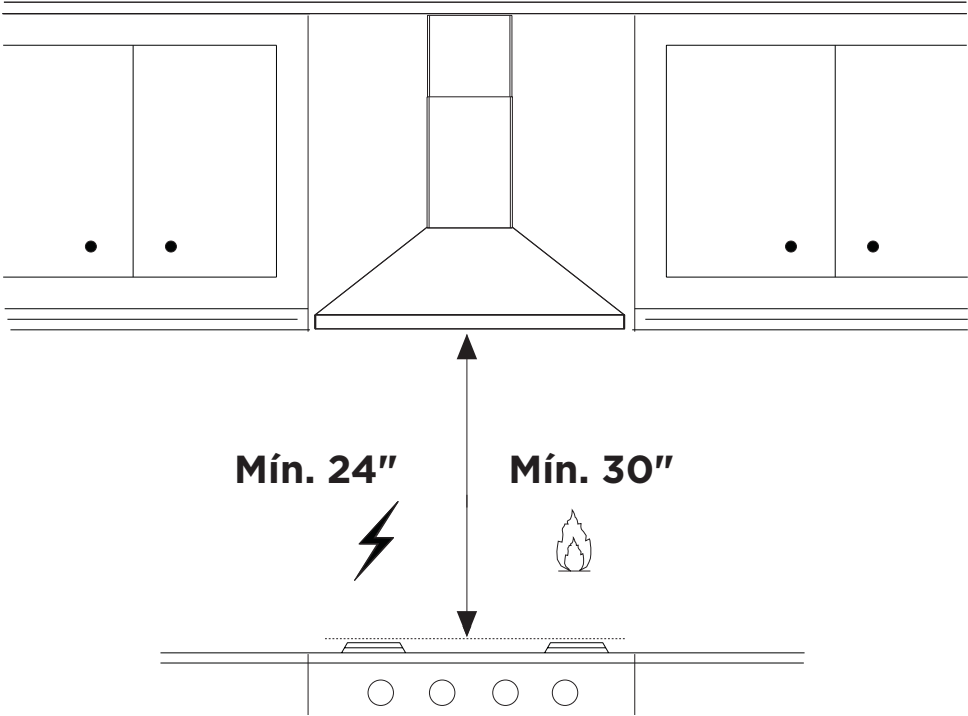


¡ADVERTENCIA

- Esta campana extractora requiere una toma de tierra eléctrica.
- Si la tubería de agua fría está interrumpida por plástico, juntas no metálicas u otros materiales, NO la utilice para la conexión a tierra.
- NO conecte a tierra una tubería de gas.
- NO tenga un fusible en el circuito neutro o de conexión a tierra. Un fusible en el circuito neutro o de conexión a tierra podría provocar una descarga eléctrica.
- Consulte a un electricista cualificado si tiene dudas sobre si la campana extractora está correctamente conectada a tierra.
- El incumplimiento de los requisitos eléctricos puede resultar en un incendio.





REQUISITOS DE ALTURA PARA LA INSTALACIÓN

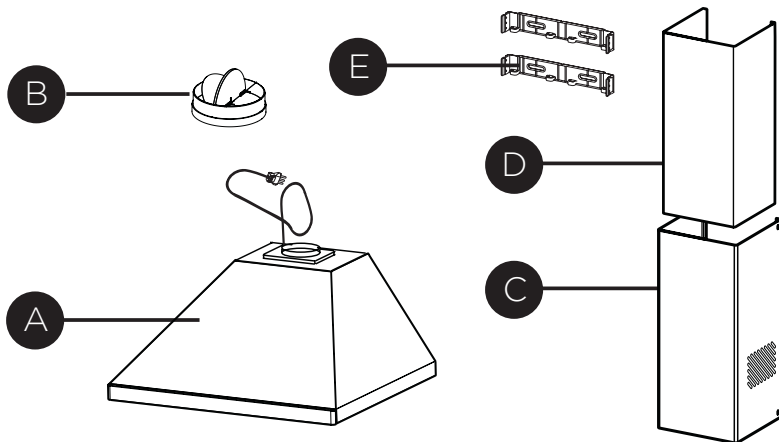
MÍN. 24" SOBRE ELÉCTRICO / MÍN. 30" SOBRE GAS



PIEZAS



PIEZAS INCLUIDAS

REF.	PIEZA	
A	Cuerpo de la campana - Incluye controles, luz, filtros, soplador	1
B	Amortiguador	1
C	Chimenea inferior	1
D	Chimenea superior	1
E	Soportes de pared para chimenea	2
<hr/>		
REF	PIEZA	
F	Tornillos Pozi (3/16" x 1 3/4")	  8
G	Tornillos Pozi (1/8" x 7/16")	  4



PIEZAS (cont.)

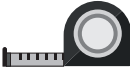


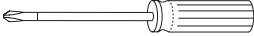

PIEZAS NECESARIAS

PIEZA	
Conductos metálicos redondos de 6"	
Tacos para placas de yeso u otros elementos de fijación de la pared adecuados en función de su instalación.	
Tapa de pared/techo debe comprarse por separado	

ACCESORIOS DISPONIBLES

ACCESORIO	SKU#
KIT CLAS SIN CONDUCTOS (DESVIADOR + CARBÓN)	DUCTCLPL
KIT DE FILTRO DE CARBÓN	FILTER1
KIT DE FILTRO DE CARBÓN LAVABLE DE LARGA DURACIÓN	FILTERILL2
KIT DE TECHO ALTO	HIGHCLPL
MANDO A DISTANCIA	REMORIG
CAJA DE CABLEADO FIJA	CAJA DE CABLES

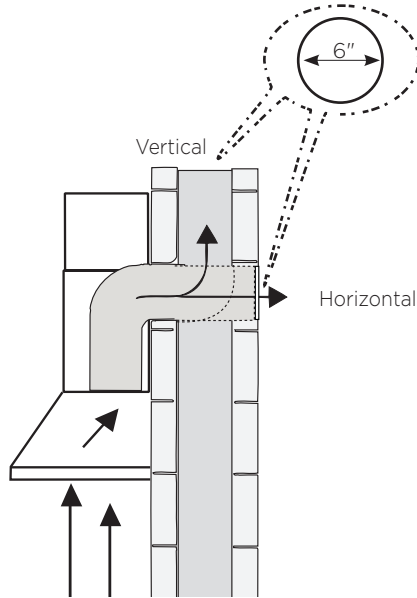
HERRAMIENTAS NECESARIAS

HERRAMIENTA	
Cinta Métrica	
Lápiz	
Taladro Eléctrico con Broca de 5/16"	
Destornillador Phillips	
Guantes de trabajo	

OPCIONES DEL MÉTODO DE VENTILACIÓN POR CONDUCTOS

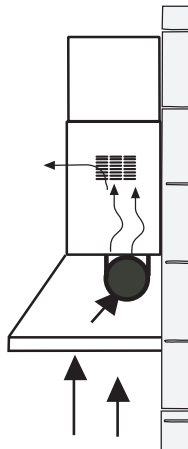
CONDUCTO CON SALIDA REDONDA DE 7":

- Vertical
- Horizontal



OPCIÓN DE RECIRCULACIÓN SIN CONDUCTOS

Requiere la compra del accesorio de carbón activado

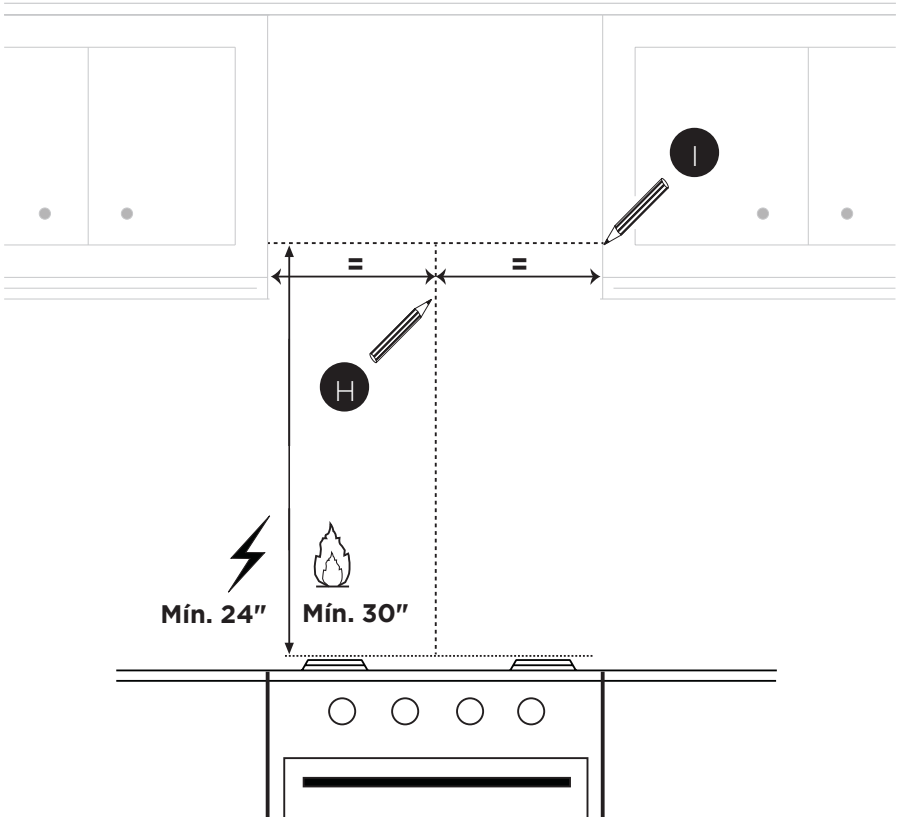


MONTAJE DE LA CAMPANA EXTRACTORA EN LA PARED

1 DIBUJAR LÍNEAS DE POSICIONAMIENTO

Dibujar una línea vertical **H** desde la pared trasera de apoyo hasta el techo o el límite superior, en el centro de la zona en la que se instalará la campana.

Trace una línea horizontal **I** desde el lugar donde se ubicará el borde inferior de la campana, hasta un mínimo de 24" por encima de una superficie de cocción eléctrica y 30" por encima de una superficie de cocción a gas.



MÍN. 24" SOBRE ELÉCTRICO/MÍN. 30" SOBRE GAS

MONTAJE DE LA CAMPANA EXTRACTORA EN LA PARED

2

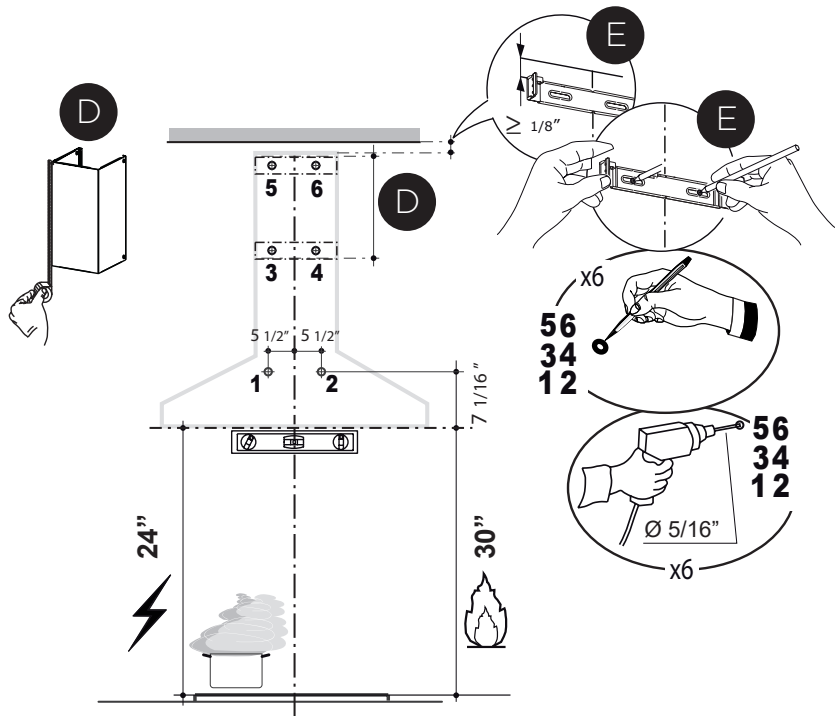
Trace una línea horizontal donde se indica en el borde inferior de la campana extractora a la altura deseada sobre la superficie de cocción.

Coloque un soporte **E** en la pared, como se muestra, aproximadamente a $1/8''$ del techo o del límite superior, alineando los centros (muescas) con la línea de referencia vertical y marque en la pared los centros de los orificios del soporte.

Coloque el segundo soporte **E** en la pared como se muestra, debajo del primer soporte, a la altura de la sección superior de la chimenea **D** suministrada y alineando los centros (muesca) con la línea vertical.

Marque la pared en los centros de los orificios en el soporte y marque los puntos 1 y 2 para la instalación del cuerpo de la campana como se muestra ($7\ 1/16''$ desde la línea horizontal y $5\ 1/2''$ desde la línea vertical).

Perfore orificios de $\varnothing\ 5/16''$ en todos los puntos centrales marcados (punto 1, 2, 3, 4, 5, 6) como se muestra.

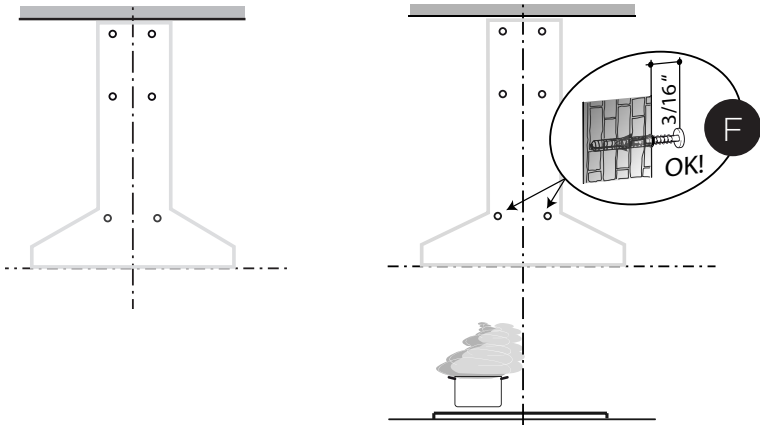


MONTAJE DE LA CAMPANA EXTRACTORA

3

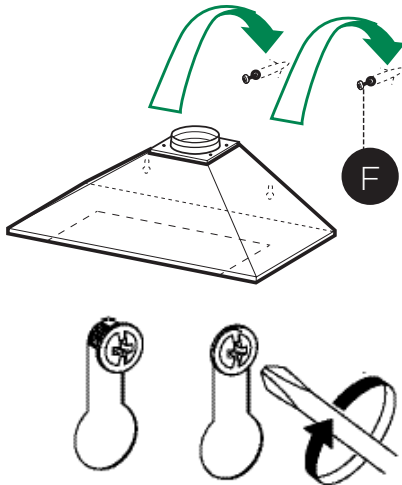
Instale tacos de pared si es necesario (se compran por separado).

Introduzca parcialmente los dos tornillos suministrados **F**, en la pared como se muestra en los orificios 1 y 2.



4

Cuelgue la campana en la pared empujando los tornillos a través de los 2 orificios de llave designados en la parte posterior de la campana. Apriete los tornillos.



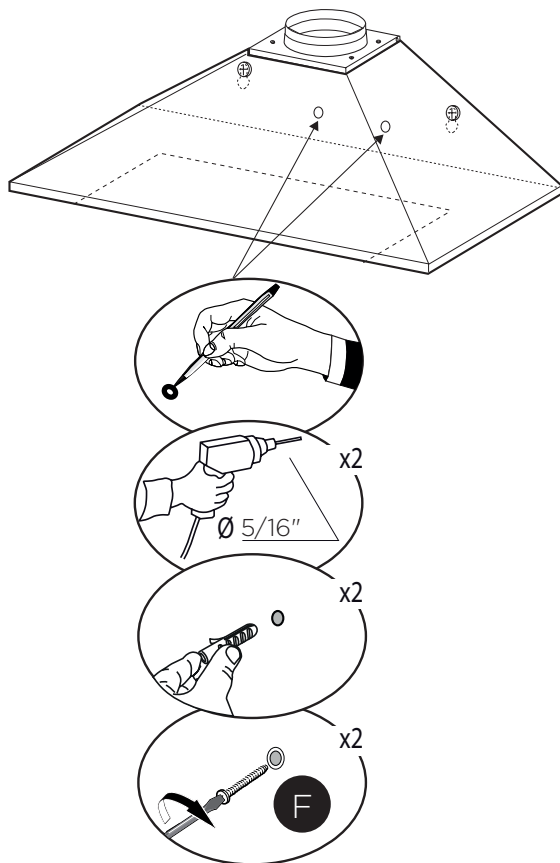
F	Tornillos Pozi (3/16" x 1 15/16")	
----------	-----------------------------------	--



Destornillador Pozi	
---------------------	--

MONTAJE DE LA CAMPANA EXTRACTORA

5

Desde el interior de la campana, marque los orificios para los dos orificios de seguridad, taladre $5/16''$ x 2 donde está marcado. Inserte 2 tacos de pared en los orificios y atornille firmemente los 2 tornillos **F**.



F	Tornillos Pozi ($3/16''$ x $1\ 15/16''$)		
----------	--	---	---

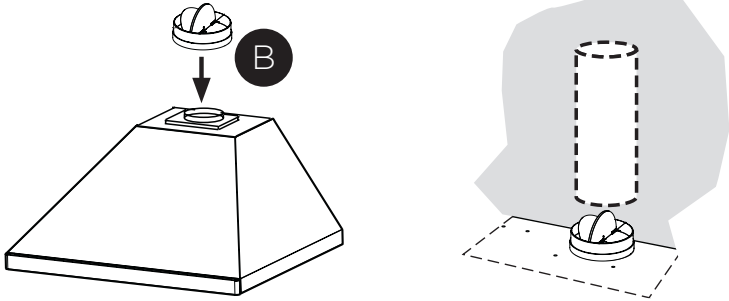
Destornillador Pozi	
---------------------	---

MONTAJE DE LA CAMPANA EXTRACTORA

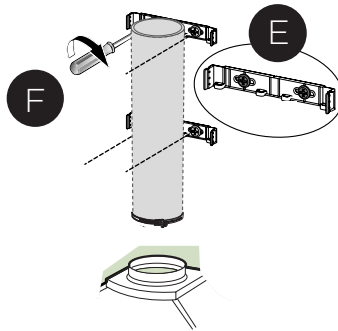
6 Instalación de Conductos Verticales u Horizontales

Instale el Amortiguador **B** que se incluye con la campana antes de conectarlo a la red de conductos.

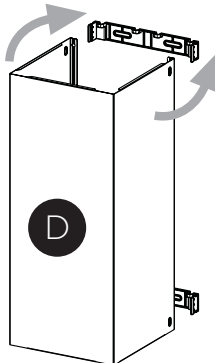
Instale la Tapa del Techo o de la Pared comprada por separado. Conecte el conducto metálico de 6" a la Tapa del Techo o de la Pared y luego fije el conducto.



7 Fije los 2 soportes de la chimenea **E** usando los 4 tornillos **F** suministrados.

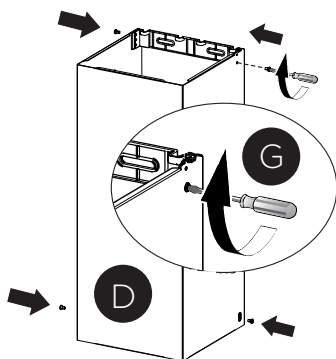


8 Ensanche ligeramente los dos lados de la chimenea superior **D** y engánchelos detrás de los soportes **E** asegurándose de que están bien asentados.

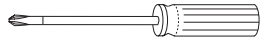


MONTAJE DE LA CAMPANA EXTRACTORA

- 9 Fije los laterales a los soportes **E** usando los 4 tornillos **G**.



Destornillador Pozi



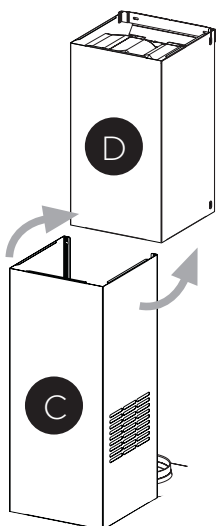
G

Tornillos Pozi (1/8" x 7/16")



10

Ensanche ligeramente los dos lados de la chimenea inferior y engánchelos entre la sección superior y la pared, asegurándose de que queden bien alojados.

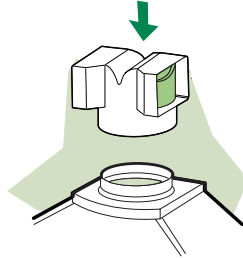


OPCIÓN DE RECIRCULACIÓN SIN CONDUCTOS

11

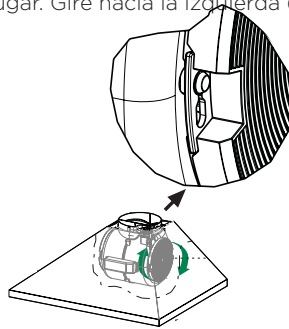
Opción de recirculación sin conductos

Solo para la versión de recirculación, conecte el desviador sin conductos en la parte superior del cuerpo de la campana. (se adquiere por separado)



12

Conecte cada filtro de carbón a la rejilla negra de cada lado del soplador. Presione el filtro de carbón con firmeza en la rejilla negra del lado del soplador y gire el filtro en el sentido de las agujas del reloj (hacia la parte delantera de la campana) hasta que se bloquee en su lugar. Gire hacia la izquierda (hacia la parte trasera de la campana) para quitarlo.



Accesorio Requerido de Filtro de Carbón Activado - sku # - FILTER1
Accesorio Requerido de Filtro de Carbón Activado - sku # FILTERILL
(se adquiere por separado)



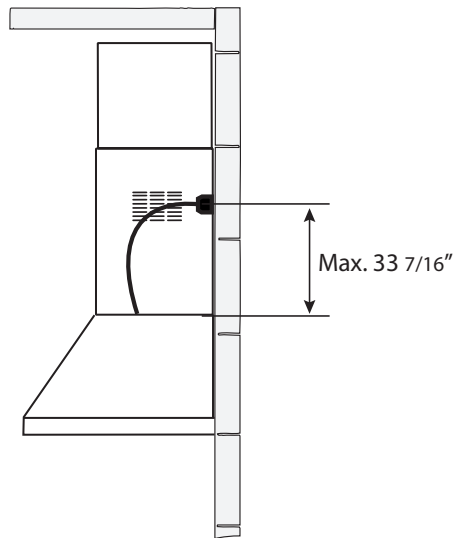
CONEXIÓN DE LA ELECTRICIDAD

1 INSTALACIÓN ELÉCTRICA CON CABLE DE CONEXIÓN

INSTRUCCIONES PARA LA CONEXIÓN A TIERRA Este aparato debe estar conectado a tierra. En caso de que se produzca un cortocircuito eléctrico, la conexión a tierra reduce el riesgo de descarga eléctrica al proporcionar un cable de escape para la corriente eléctrica. Este aparato está equipado con un cable que tiene un hilo de conexión a tierra con un enchufe de conexión a tierra. El enchufe debe conectarse a una toma de corriente que esté correctamente instalada y conectada a tierra. **ADVERTENCIA** - Una conexión a tierra inadecuada puede suponer un riesgo de descarga eléctrica.

Consulte a un electricista cualificado si las instrucciones de conexión a tierra no se entienden completamente, o si existen dudas sobre si el aparato está correctamente conectado a tierra.

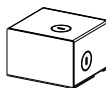
No utilice un cable alargador. Si el cable de alimentación es demasiado corto, haga que un electricista cualificado instale una toma de corriente cerca del aparato.



INSTALACIÓN ELÉCTRICA CON CAJA DE CABLEADO OPCIONAL

Para la instalación del cableado permanente, utilice únicamente el kit de caja de cables de la campana extractora listado como sku # WIREBOX, fabricado por Faber.



Accesorio de caja de cables de conexión directa
sku # WIREBOX
(se adquiere por separado)



OPERACIÓN DE LOS CONTROLES

PARA OBTENER MEJORES RESULTADOS

Ponga en marcha la campana extractora varios minutos antes de cocinar para desarrollar un flujo de aire adecuado. Deje que la campana extractora funcione durante varios minutos después de terminar de cocinar para eliminar todo el humo y los olores de la cocina.

Botón	Función
	Botón de apagado del ventilador: apaga el ventilador. El ventilador se puede accionar pulsando cualquiera de los botones de ajuste del ventilador. Mantener pulsado este botón durante 2 segundos para activar la función de apagado retardado que mantendrá el ventilador encendido durante 15 minutos y se apagará automáticamente.
1	Botones de configuración del ventilador: Velocidad baja.
2	Botones de configuración del ventilador: Velocidad media.
3/i	Botones de configuración del ventilador: Velocidad alta. Mantener pulsado el botón durante 2 segundos para activar la VELOCIDAD INTENSIVA, que está programada para funcionar durante 10 minutos. Transcurrido este tiempo, volverá automáticamente a la velocidad fijada anteriormente. Adecuado para hacer frente a niveles máximos de humos de cocción.
	Botón de luz: Interruptor de encendido/apagado de las luces LED. Pulse el botón de la LUZ para encenderla y de nuevo para apagarla.

NOTA: Si su producto ha tenido un ajuste de CFM, consulte el manual de ajuste de CFM para obtener más información. Algunas velocidades o funciones del motor pueden verse reducidas.

CUIDADO DE LOS FILTROS

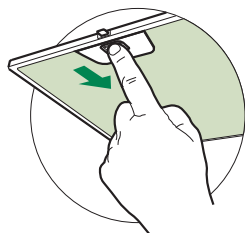
LIMPIEZA DE LOS FILTROS DE GRASA METÁLICOS

Los filtros de grasa metálicos pueden limpiarse en una solución de detergente caliente o lavarse en el lavavajillas.

Deben limpiarse cada 2 meses de uso, o con mayor frecuencia si el uso es particularmente intenso.

1

Retirar el filtro, empujando la palanca hacia la parte posterior de la unidad mientras se tira hacia abajo.

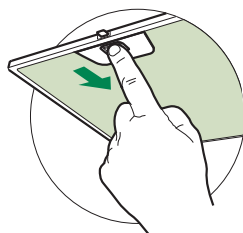


2

Lavar el filtro sin doblarlo. Dejarlo secar bien antes de volver a colocarlo. Si la superficie del filtro cambia de color con el tiempo, la eficacia no se verá afectada.

3

Para sustituir el filtro, hay que empujar el filtro hacia arriba en su posición mientras se mantiene la palanca hacia atrás, y luego soltar la palanca para bloquearlo en su lugar.



NOTAS:

- La limpieza en el lavavajillas puede deteriorar el acabado de los filtros de grasa metálicos.
- Asegurarse de que los filtros están completamente secos antes de volver a instalarlos en la campana extractora.

LIMPIEZA DE LAS SUPERFICIES EXTERIORES

Por favor, tenga en cuenta que los abrasivos y los agentes de fregado pueden rayar los acabados de la campana extractora y no deben utilizarse para limpiar las superficies acabadas.

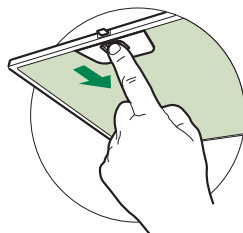
Instrucciones para la limpieza del acabado de acero inoxidable:

Limpie las superficies exteriores con un limpiador de acero inoxidable disponible comercialmente.

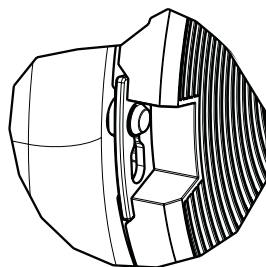
SUSTITUCIÓN DEL FILTRO DE CARBÓN ACTIVADO

Los filtros de carbón activado no son lavables y no pueden ser regenerados, por lo que deben ser reemplazados aproximadamente cada 4 meses de funcionamiento, o con mayor frecuencia en caso de uso intensivo.

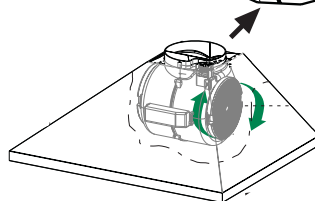
- 1** Retirar los filtros de grasa.



- 2** Retire el filtro de carbón saturado girándolo hacia la derecha (hacia atrás) hasta que se desbloquee de la carcasa del motor y tire hacia el lateral.



- 3** Para volver a colocar cada filtro de carbón, colóquelo contra el lateral del ventilador y presiónelo hacia dentro. Después gire el filtro de carbón hacia la derecha (hacia delante) hasta que se quede en su posición.



SUSTITUCIÓN DE LA ILUMINACIÓN

Las luces LED deben ser sustituidas por el servicio técnico autorizado de Faber.

GARANTÍA



La garantía de Franke Home Solutions para los productos de las marcas Franke y Faber entra en vigor el 1 de marzo de 2022

En Estados Unidos, Canadá y América Latina, Franke garantiza los productos de la marca Faber contra defectos de fabricación en materiales y mano de obra cuando se compran a un minorista autorizado de Franke o Faber de acuerdo con las garantías específicas del producto que se detallan en este documento (cada una, una "Garantía" y colectivamente, las "Garantías"). Los productos deben ser instalados correctamente, según las instrucciones de instalación de Franke, en su instalación original, y utilizados en aplicaciones normales de cocina residencial en interiores. Cualquier producto o componente que haya sido modificado o alterado de su condición original anulará la garantía. Las garantías de Franke para los productos de la marca Faber están limitadas al comprador original y no son transferibles. Estas garantías no incluyen los productos comprados a minoristas no autorizados, los productos obsoletos o descatálogos, ni los productos que eran modelos de exposición anteriores. Todos los problemas con los productos instalados se consideran reclamaciones de garantía y no están sujetos a la política de devoluciones. Franke se reserva el derecho de inspeccionar cualquier producto Franke / Faber reportado como defectuoso en virtud de una reclamación de garantía y la instalación original antes de proporcionar un producto y/o componente de reemplazo. Todas las decisiones son definitivas. En ningún caso la responsabilidad de Franke superará el importe del precio de compra original.

Las garantías no cubren, y Franke no será responsable, de ningún daño a los productos o componentes derivado de un mal uso o abuso, daños accidentales, desgaste normal como rozaduras, arañazos o reducción/descoloramiento del acabado, instalación incorrecta, uso anormal, negligencia, daños causados por un mantenimiento o limpieza inadecuados. Los daños causados por impurezas, productos químicos corrosivos o actos fuera del control de Franke no están cubiertos por ninguna garantía. Las llamadas de servicio para corregir la instalación de una campana extractora, las instrucciones sobre el funcionamiento de una campana extractora, para sustituir o reparar los fusibles de la casa o para corregir el cableado o la fontanería de la casa no están cubiertas por ninguna Garantía. Las llamadas de servicio para reparar o sustituir las bombillas, fusibles o filtros de la campana extractora, así como los costes de estas piezas consumibles, también están excluidos de la cobertura de la garantía. La instalación que no esté de acuerdo con los códigos eléctricos o de fontanería o con la documentación de Franke / Faber no está cubierta por ninguna garantía. Los costes de las piezas de repuesto o de la mano de obra de reparación de las unidades utilizadas fuera de los Estados Unidos, Canadá o América Latina, incluidas las campanas extractoras de cocina Franke / Faber no aprobadas por la norma UL o C-UL, están excluidos de la cobertura de la garantía. Los gastos de viaje y transporte para el servicio en lugares remotos y los gastos de recogida y entrega no están cubiertos por ninguna Garantía. Las campanas extractoras Franke / Faber siempre deben ser revisadas en el hogar en su instalación original.

Las sustituciones de productos Franke / Faber no incluyen la responsabilidad por los retrasos del proyecto. No se garantiza que las sustituciones de los productos sean exactas. Si el producto original no está disponible en el momento de la reclamación de la garantía, a opción de Franke, los reemplazos del producto serán de tamaño, material y valor similares. Cualquier producto o componente que haya sido modificado o alterado de su condición original anulará la garantía.

Las garantías no permiten la recuperación de los daños incidentales o indirectos, como la pérdida de uso, el retraso, los daños a la propiedad u otros daños indirectos, y Franke no acepta ninguna responsabilidad por tales daños. Cada Garantía está limitada a las condiciones establecidas en el presente documento y al período de garantía aplicable especificado en el mismo y es exclusiva. A EXCEPCIÓN DE LAS GARANTÍAS ESTABLECIDAS EN ESTE DOCUMENTO, FRANKE NO OFRECE NINGUNA GARANTÍA CON RESPECTO A LOS PRODUCTOS, INCLUYENDO, PERO NO LIMITADO A, (1) CUALQUIER GARANTÍA DE COMERCIALIZACIÓN, (2) LA GARANTÍA DE IDONEIDAD PARA UN PROPÓSITO PARTICULAR, (3) LA GARANTÍA DE TÍTULO, O (4) LA GARANTÍA CONTRA LA VIOLACIÓN DE LOS DERECHOS DE PROPIEDAD INTELECTUAL DE UN TERCERO, YA SEA EXPRESA O IMPLÍCITA POR LA LEY, EL DESARROLLO DE LOS NEGOCIOS, EL DESARROLLO DE LA EJECUCIÓN, EL USO DEL COMERCIO O DE OTRA MANERA. AVISO LEGAL POR FAVOR

LEA ATENTAMENTE. Franke Kitchen Systems LLC le proporciona la información anterior como un servicio público a nuestros clientes. Al acceder y utilizar esta información, usted acepta lo siguiente y el cumplimiento de todas las leyes aplicables. Si no está de acuerdo con estas condiciones, no utilice esta información. Aunque intentamos mantener la información actualizada, pueden haberse producido cambios desde su creación. Póngase en contacto con su gerente regional o con el servicio de atención al cliente para verificar la información relativa a los programas de Franke Kitchen Systems LLC y su uso.

Garantía limitada de la campana extractora Franke / Faber:

Las campanas extractoras de Franke / Faber están garantizadas contra cualquier defecto de materiales o mano de obra para el comprador original durante un período de dos (2) años a partir de la fecha de compra original cuando se utilizan en aplicaciones residenciales estándar de interior. Esta garantía cubre la mano de obra y las piezas de recambio. Franke, a su elección, puede reparar o sustituir el producto o los componentes necesarios para restablecer el producto en buenas condiciones de funcionamiento.



Esta garantía sustituye a todas las demás garantías, expresas o implícitas. Ningún empleado, representante de ventas de campo o distribuidor está autorizado a dar ninguna garantía en nombre de Franke Kitchen Systems, LLC

Para reclamar la garantía de un producto instalado, póngase en contacto con Franke a través de la información de contacto proporcionada a continuación. Todos los reclamos de garantía deben incluir lo siguiente para su procesamiento:

1. Prueba de compra en un distribuidor autorizado de Franke o Faber
2. Nombre del comprador original, dirección (incluyendo ciudad, estado y código postal), dirección de correo electrónico y número de teléfono
3. Modelo y número de serie de Franke / Faber
4. Fecha de instalación
5. Descripción del defecto
6. Fotos del defecto

En América del Norte y América Latina:
Soluciones para el hogar Franke
A la atención de: Departamento de Garantía
800 Aviation Parkway
Smyrna, TN 37167
HS-Warranty.US@Franke.com

Persona jurídica:
Franke Kitchen Systems LLC

991.0687.417_01 - 220824
D00008874_00