

# REF36FDBZPNV

REFRIGERATOR 36" BUILT-IN FRENCH DOOR WITH ICE MAKER AND  
INTERNAL WATER DISPENSER  
PANEL READY (STAINLESS STEEL PANEL KIT AVAILABLE)



Energy Star rated refrigerator with 19.6 cu.ft of total storage capacity, powered by variable-speed compressor and dual evaporators.

Flush or proud installation in 84" high kitchen cabinets.

Dual Cooling Shield System: automated defrosting of evaporators ensures food stays always fresh.

Precise temperature control for optimal food preservation: the Fresco drawer in the refrigerator compartment with independent temperature settings (30°-41°F) allows for optimal storage of meat, cold cuts, shellfish, fish and dairy products.

Automatic ice maker with daily capacity of 3.9 lbs of filtered ice.

Internal water dispenser with inline filter for hygienically clean drinking water and ice.

Digital LED touch interface with user-friendly controls for temperature, speed-freeze and ice making.

Soft close refrigerator crispers and metal freezer bins.

Height-adjustable gallon-size door storage bins.

Stainless steel door panels kit available as optional accessory. Stainless steel toe kick included in the unit.

Choose Professional, Master or Heritage Series handle kit to match your other Bertazzoni kitchen appliances.

Purchase Décor Sets in Gold (DS2HERTGO), Copper (DS2HERTPC) or Black Nickel (DS2HERTSB) to personalize your Heritage Series handles (6 handle finials per set).

2 years parts & labor warranty.

ADA compliant.

## PRODUCT FEATURES

|                      |   |
|----------------------|---|
| Size                 | W 36"   |
| Volume               | Ref 14 cu.ft / Frz 5.6 cu.ft  |
| Door finish          | Panel ready   |
| User interface       | Internal digital LED touch interface  |
| Lighting             | Top and sidewall LED lights   |
| Refrigerator shelves | 1 stationary + 2 height-adjustable  |
| Refrigerator drawers | 1 large + 2 medium, of which 1 fresco drawer with separate temperature control  |
| Freezer compartment  | 2 drawers   |
| Door storage         | 2 height-adjustable gallon sized + 4 stationary bins  |
| Ice maker            | Automatic ice maker 3.9 lbs / 24 hrs  |
| Settings             | Super cool, Super freeze, Ice maker, Water filter replacement alarm, Water dispenser, Eco mode, Vacation mode, Sabbath mode |

## TECHNICAL SPECIFICATIONS

|                       |   |
|-----------------------|---|
| Electrical supply     | 115 V 60 HZ - 120 W - 3 Amp                           |
| Power connection      | NEMA 5-15P with 90" power cord                        |
| Sound rating          | 43 dbA  |
| Water connection      | 1/4" waterline with shut-off valve                    |
| Water supply pressure | 25-80 psi (1.7-5.5 bar)                               |
| Energy consumption    | 589.0 kwh/yr  |
| Certification         | ADA Compliant,CB,CEC,ETL                              |
| Warranty              | 2 years parts & labor<br>Sealed system: 5 years labor |
| Packaging dimensions  | W 38 3/16" H 90 9/16" D 26 3/8"                       |
| Weight                | 400.0 lbs   |

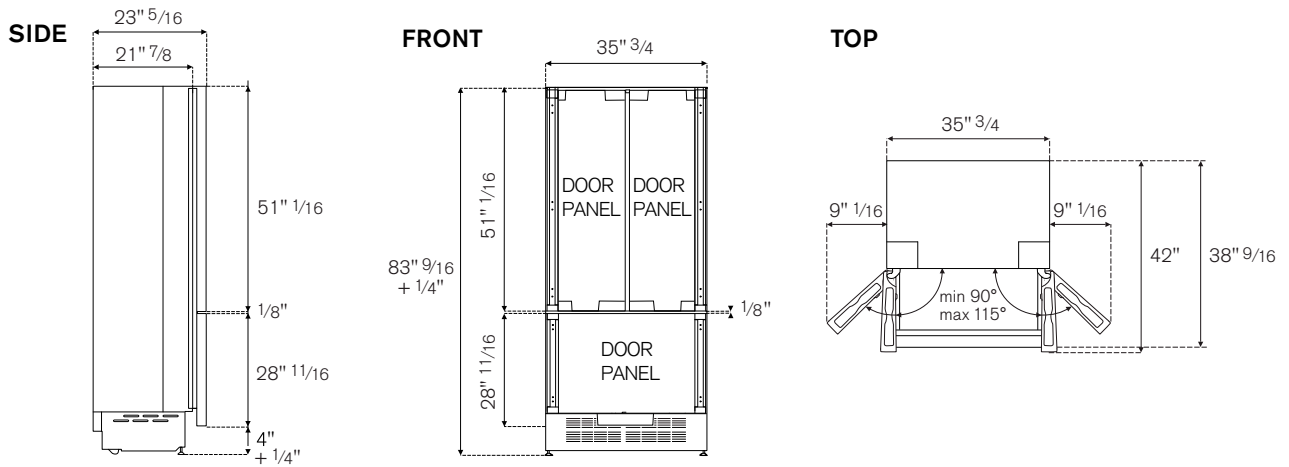
## ACCESSORIES

|              |   |
|--------------|---|
| Z370001      | Replacement water filter                      |
| SP36FDX      | Stainless steel door panels kit               |
| HK36PROFDBXV | Handle kit - Professional series              |
| HK36MASFDBXV | Handle kit - Master series                    |
| HK36HERFDBXV | Handle kit - Heritage series                  |
| CTXV         | Connection trim for side-by-side installation |



# REF36FDBZPNV

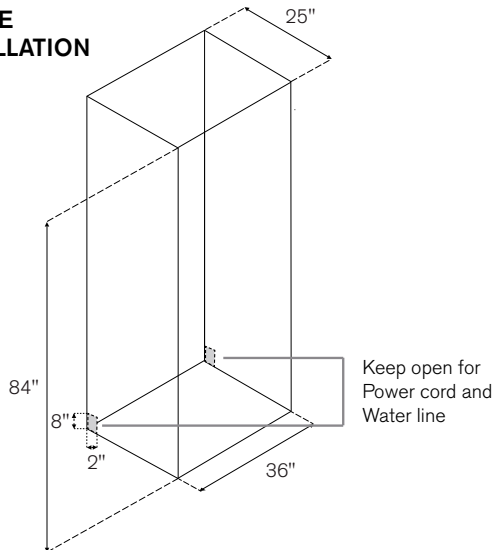
REFRIGERATOR 36" BUILT-IN FRENCH DOOR WITH ICE MAKER AND  
INTERNAL WATER DISPENSER  
PANEL READY (STAINLESS STEEL PANEL KIT AVAILABLE)



+ 1/4" for the adjustable max height of the leveling feet

## CUTOUT DIMENSIONS

### SINGLE INSTALLATION

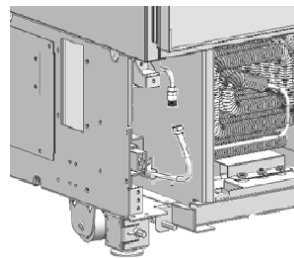
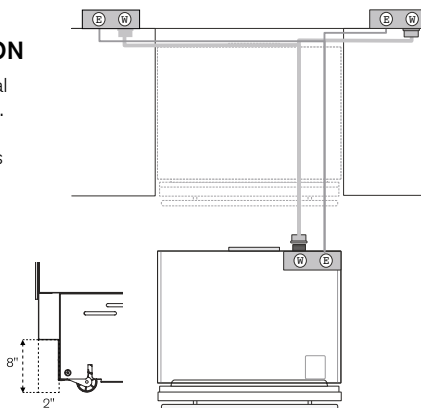


## ELECTRICAL & WATER CONNECTION

A properly-grounded, electrical receptacle should be installed. A separate circuit breaker servicing only this appliance is recommended.

Do not use a multi-purpose socket with other electrical appliances.

To connect to the water supply system, use a 1/4" waterline with accessible shut-off valve with a length of 60".



## INSTALLATION REQUIREMENTS

If the appliance(s) is not connected through the side profile trims to secured cabinetry, anti-tip brackets must be installed. The max weight for the cabinet panel is 44 lbs (20kg) for the refrigerator doors and 20 lbs (9kg) for the freezer door. For a flush installation, cabinet panels should not be thicker than 15/16".