

28" OVERLAY BUILT-IN FRIDGE



CODE ID

DISTINTO BUILT-IN FRIDGE

FM4BM28FBI



LED lighting



Total No Frost



Noise Level 39 (dB)



Active cooling



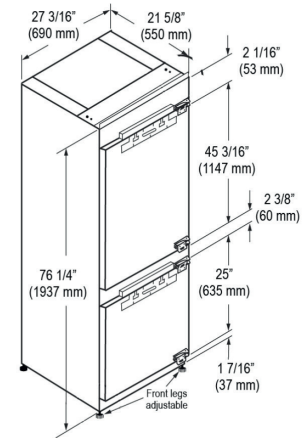
Integrated Installation

SPECIFICATIONS

Contemporary European design
Hettich™ hinge, allowing true integrated install
Digital display
Easy-glide crisper
Holiday mode / ECO mode
Temperature alarm
Super cool / Super freeze function
Glass shelves
LED lighting
Field reversible doors
Ultra quiet 39 dB(A)
3D door adjustment, for easy door panel alignment

DISTINTO

28" BUILT-IN FRIDGE



CODE ID	28" BUILT-IN FRIDGE FM4BM28FBI	
Finish	Panel Ready	
PERFORMANCES/CAPACITY		
Cooling system	Frost Free	
Control system	Electronic	
Energy Star Qualified	Yes	
Refrigerant	R600a	
Noise Level dB(A)	39	
Total net volume, cu. ft. (liters)	12 (341)	
Refrigerator net volume, cu. ft. (liters)	9 (257)	
Freezer net volume, cu. ft. (liters)	3 (84)	
FEATURES		
Fridge Compartment		
Control Display	LED	
Automatic Defrost	Yes	
Interior Lighting	LED	
Shelves	4 glass	
Crispers	2 transparent	
Door Bins	4	
Compressor	Variable speed with inverter (VCC)	
Fan Assisted Cooling	Yes	
Air Duct Cover	Stainless	
Freezer		
Automatic Defrost	Yes	
Freezer Drawer	3 transparent	
DIMENSIONS/WEIGHT		
Width	27 - 3/16"	690 mm
Height	76 - 1/4"	1937 mm
Depth	21 - 5/8"	550 mm
Product Weight	148 lbs	67 kg
RECOMMENDED PANEL DIMENSIONS		
Fridge Panel		
Height	49 - 7/16"	1255 mm
Width	29 - 1/8"	740 mm
Thickness	Min 3/4" Max 1 - 1/4"	Min 19 mm Max 32 mm
Maximum Weight	46 lbs	20 kg
Freezer Panel		
Height	28 - 1/8"	715 mm
Width	29 - 1/8"	740 mm
Thickness	Min 3/4" Max 1 - 1/4"	Min 19 mm Max 32 mm
Maximum Weight	46 lbs	20 kg
POWER / RATINGS		
Dedicated Circuit, V/Amps	120 V - 15 A	
Supply voltage, V/Hz	120 V - 60 Hz	
Rated Current, Amps	0.8	